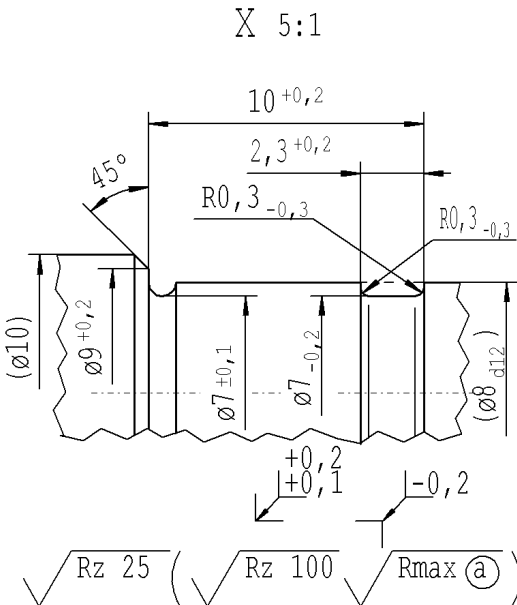
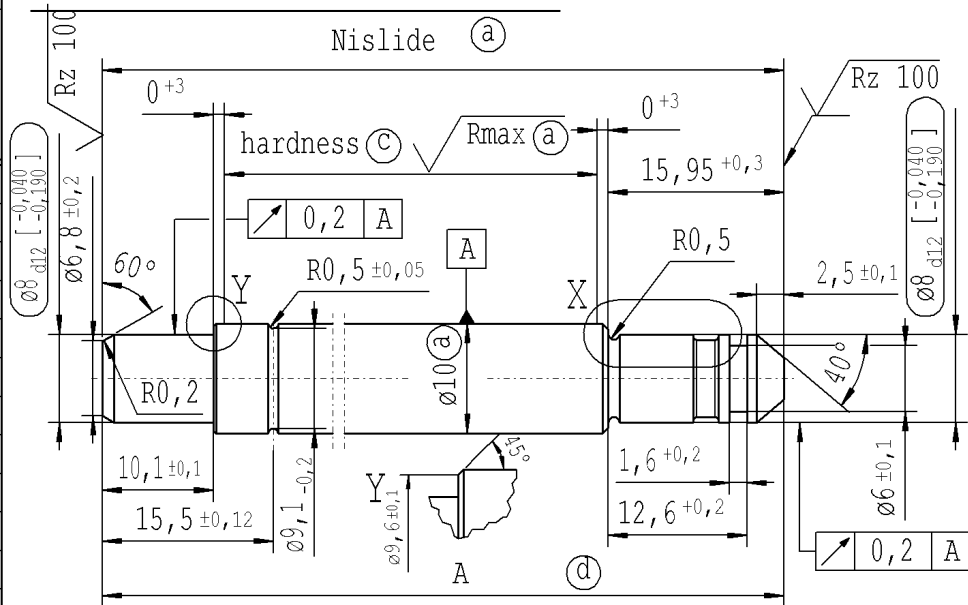


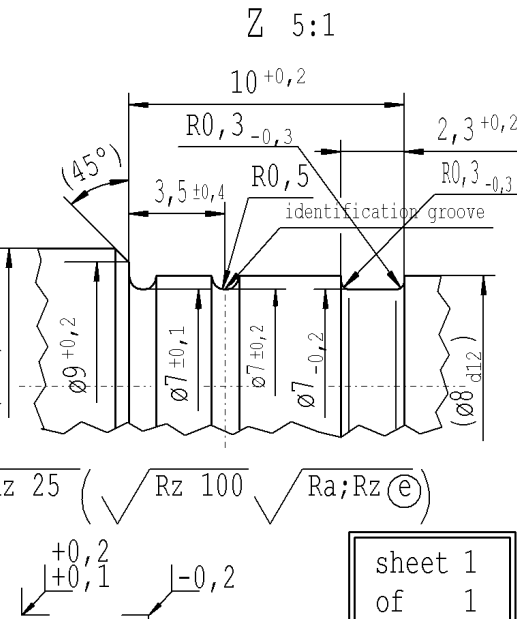
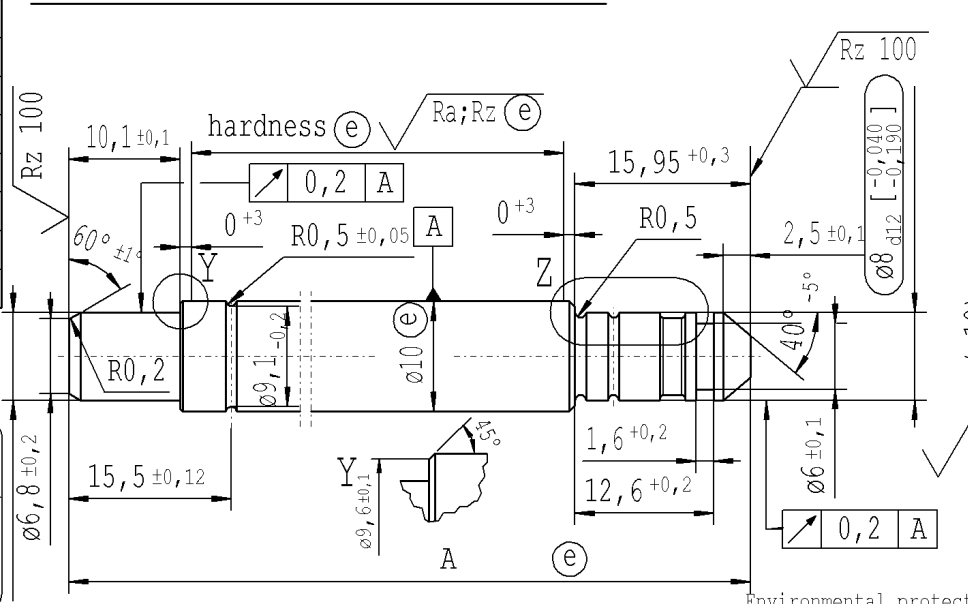
CONFIDENTIAL!
Intended for internal use only

supp No.	material no.		A
	surface treatment processing acc. to STAB-Spec. 10006248 table V Nislite light	surface treatment processing acc. to STAB-Spec. 10028959 table II	
	(a)	(e)	
	Version 1	Version 2	
10	0227WN		183
11	0238WC		198
12	0331WD	0331WD	192
13	0402WJ	0402WJ	207
14	0405WV	0405WV	189
16	0529WJ	0529WJ	210
18	2642WJ	2642WJ	195
21	6623WL		171
27	003031	003031	204
29	003051	003051	201
30	003057	003057	177
31	027123	027123	180
33	526760	526760	390
34	659412	659412	150
35	766493	766493	165
36	926869	926869	198
37	740450	740450	174
38	927350	927350	222
39	275122	275122	153

Version 1 (only self-manufacturing)



Version 2 (only external manufacturing)



ⓐ before grinding:
Hardness depth and hardness test acc. to STAB-Spec. 10258370

ⓐ tolerance $\pm 0,2$ after turning
 $\pm 0,3$ after straightening
 $\pm 0,3$ after nisliding

Environmental protection acc. to STAB-Spec. 10005649

sheet 1
of 1

Ident. Doc. :
Date: 14.09.2021 / 14:05:37 ***** Ausdruck nicht massgetreu *****

DE: X	EN: X	ES:	IT:	PR:	FR:	RO: X	CAD created document; handwritten changes not permitted		
new	Initial release	Version 2	ø9 ^{+0,2}	ø7 ^{+0,2}	3,5 ^{+0,4}	R0,5	ⓐ = acc. STAB-Spec. 10258370	new format Internal/Supplier	
old	---	---	ø22,5 ^{+0,2}	ø17,5 ^{+0,2}	8,75 ^{+0,4}	R1,25	ⓐ = RHT 0,4 ... 0,7 mm	Supplier drawing separately	
Field	---	---	E2 + BC2	BC 1/2	C2	C 1/2	B 7-8	-	
Date/Name	6.8.04 Keßelh.	8.11.07 Keßelh.	19.11.07 Keßelheim		14.05.2019 Jablonski	11.02.2021 Jablonski			
Chg. No.	---	560652	561131		678684	695164			
Rev.	0	1	2		3	4			

Material: Version 1: Mat.No. 010715 Version 2 : 1.1193	All dimensions are in mm	Marking of special characteristics according to STAB-Spec. 10270932	Date 06.08.2004	Name Keßelheim
Edge tolerances acc. to DIN ISO 13715	Scale: (Original DIN A3) 2:1	Dimensions without tolerances DIN ISO 2768 - mK	Checked 11.02.2021	C.Banciu
Surface finish DIN EN ISO 1302	We reserve all rights to this document, to any patents or patent registrations related hereto, and to the duplication, retransmission by third parties and misc. use. Any use of this document is not permitted without the written consent of STABILUS.		Document No.:	10027067
Replaces:	STABILUS		Material No.:	
		PISTON ROD		