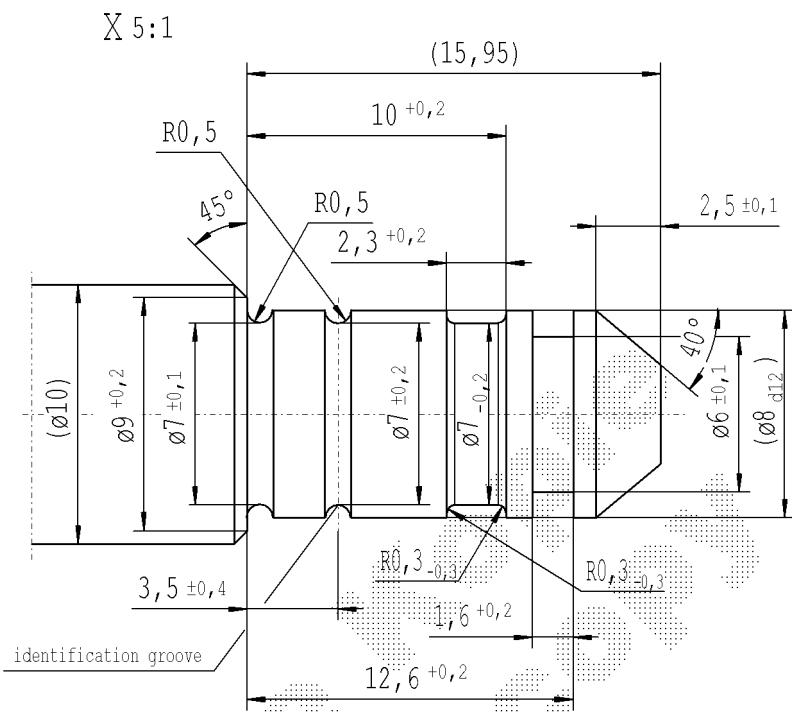
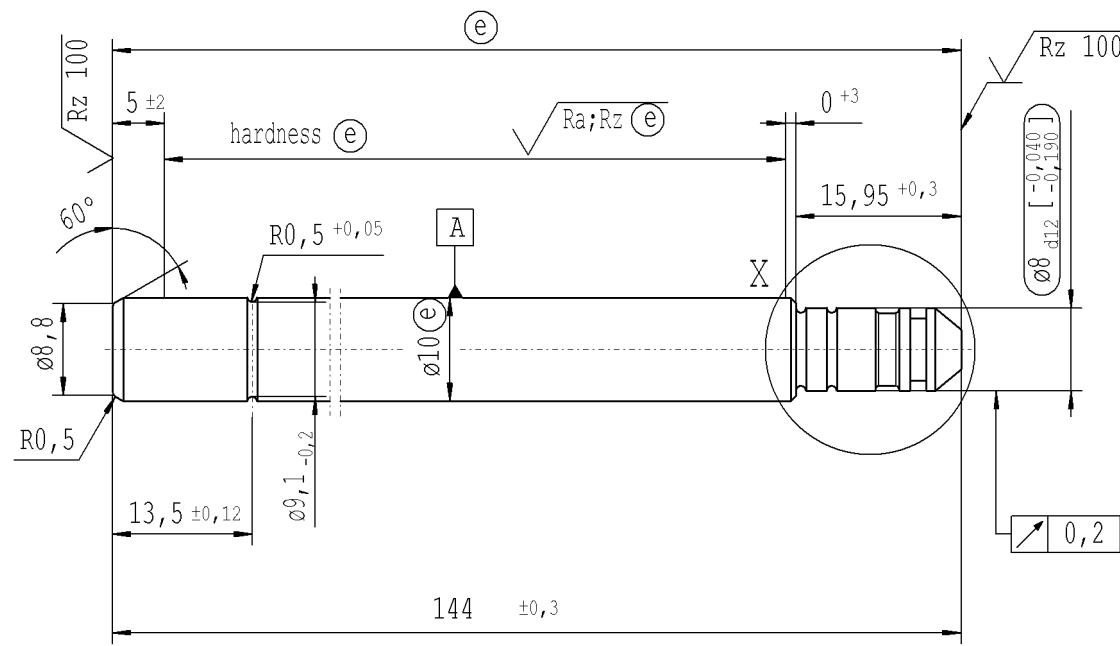


The print-out is not subject to the modification service.

Intended for internal and supplier use

EN



(e) piston rod processing acc.to STAB-Spec.10028959 Table II

RELEASE
 for supplier
 company: Zhangshi Machinery Co.

$\begin{matrix} +0,2 \\ +0,1 \end{matrix}$ $\begin{matrix} -0,2 \\ -0,1 \end{matrix}$ $\sqrt{Rz\ 25}$ ($\sqrt{Rz\ 100}$ $\sqrt{Ra;Rz\ (e)}$)

Environmental protection acc. to STAB-Spec. 10005649

Ident. Doc.:

DE: X	EN: X	ES:	IT:	PR:	FR:	RO:	CAD created document; handwritten changes not permitted	Material: 1.1193	All dimensions are in mm	Identification of important characteristics	Date	Name
new	Initial release							Edge tolerances acc. to DIN ISO 13715	Scale: (Original DIN A3) 2:1	Dimensions without tolerances DIN ISO 2768 mK	Drawn by 02.10.2007	KeBelheim
old	---							Surface finish: DIN EN ISO 1302			Checked 02.10.2007	Kaspar/
Field	---							Replaces:	We reserve all rights to this document, to any patents or patent registrations related hereto, and to the duplication, retransmission by third parties and misc. use. Any use of this document is not permitted without the written consent of STABILUS.			
Date/Name	2.10.07 Keß.										Document No.: 10028756	
Chg. No.	---										Material No.: 001133	
Rev.	0							STABILUS			PISTON ROD	