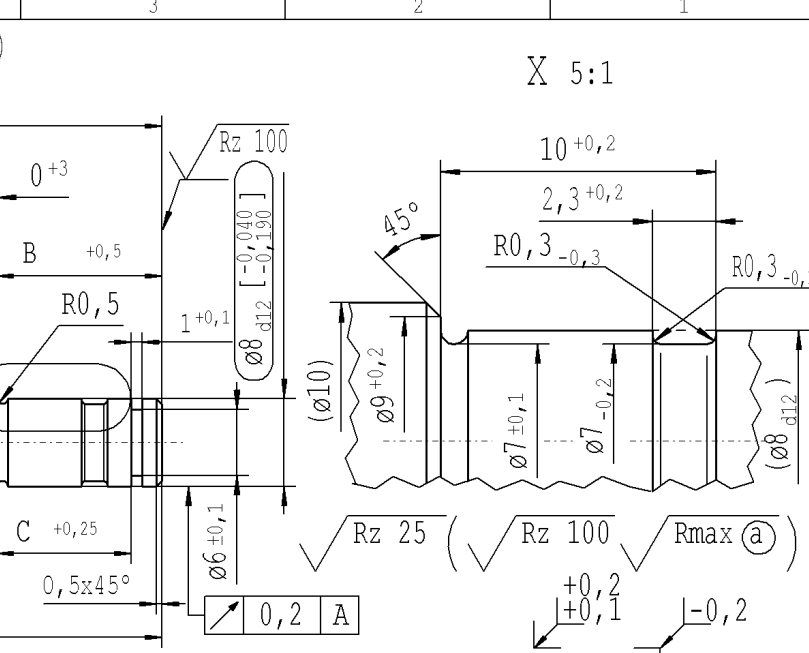
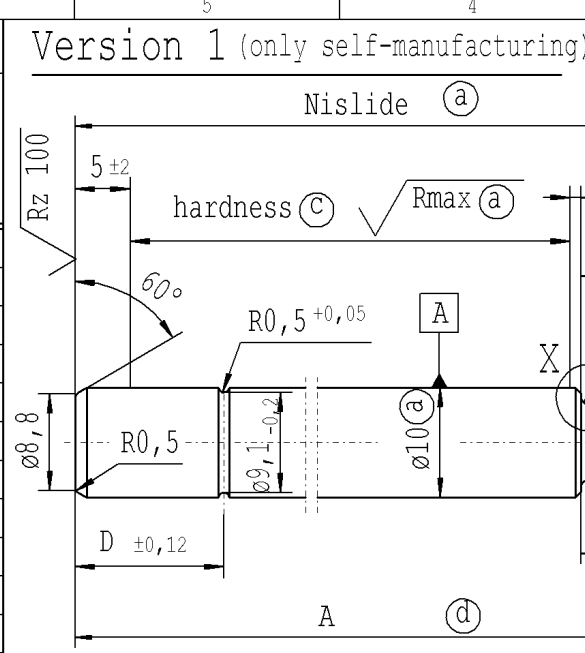


CONFIDENTIAL!
Intended for internal use only

supp No.	material no.		A	B	C	D
	surface treatment processing acc. to STAB-Spec. 10006248 table 5 Nislide light Version 1 ⓐ	surface treatment processing acc. to STAB-Spec. 10028959 table II Version 2 ⓔ	overall length	stud length end fitting side	groove clearance	stud length piston side
188	657517	657517	135.0	15	12.2	15
191	672335	672335	159.0	15	12.2	15
192	701971	701971	81.0	15	12.2	15
194	039703	039703	186.0	15	12.2	15
195	052609	052609	171.0	15	12.2	15
196	056672	056672	189.0	15	12.2	15
197	059540	059540	204.0	15	12.2	15
198	060735	060735	303.0	15	12.2	15
200	069339	069339	201.0	15	12.2	15
201	070056	070056	180.0	15	12.2	15
202	076748	076748	138.0	15	12.2	15
203	079377	079377	228.0	15	12.2	15
204	083918	083918	273.0	15	12.2	15
205	085352	085352	207.0	15	12.2	15
206	097541	097541	177.0	15	12.2	15
207	102082	102082	108.0	15	12.2	15
208	125743	125743	216.0	15	12.2	15
209	599444	599444	282.0	15	12.2	13.5
210	602073	602073	285.0	15	12.2	13.5
211	351841	351841	114.0	15	12.2	13.5
212	124315	124315	135.0	15	12.2	13.5



ⓐ before grinding:
Hardness depth and hardness test acc. to STAB-Spec. 10258370

ⓔ tolerance $\pm 0,2$ after turning
 $\pm 0,3$ after straightening
 $\pm 0,3$ after nisliding

sheet 7
of 8

DE: X	EN: X	ES:	IT:	PR:	FR:	RO: X	CAD created document; handwritten changes not permitted	
new	Text (e)	1.1193	3,5 ±0,4	9417RH + 4855RF	revised	ⓐ = acc. STAB-Spec. 10258370	new format Internal/Supplier	
old	---	S 45 C	3,5 ±0,2	was on Doc.10004222	-	ⓐ = RHT 0,4 ... 0,7 mm	Supplier drawing separately	
Field	AB 7/8	Material	E2	Table	-	B 7-8	-	
Date/Name	25.11.05 Keßelh.	25.10.06 Keß.	16.5.07 Keß.	28.03.2014 Höfer	14.05.2019 Jablonski	19.01.2021 Jablonski	-	
Chg. No.	547031	548667	556680	612070	678684	694187	-	
Rev.	3	4	5	6	7	8	-	

Material: Version 1: Mat.No. 010715 Version 2 : 1.1193	All dimensions are in mm	Marking of special characteristics according to STAB-Spec. 10270932	Date 14.02.2005	Name Keßelheim
Edge tolerances acc. to DIN ISO 13715	Scale: (Original DIN A3) 2:1	Dimensions without tolerances DIN ISO 2768 mK	Checked 19.01.2021	Banciu
Surface finish DIN EN ISO 1302	We reserve all rights to this document, to any patents or patent registrations related hereto, and to the duplication, retransmission by third parties and misc. use. Any use of this document is not permitted without the written consent of STABILUS.		Document No.:	10028770
Replaces:	STABILUS		Material No.:	
		PISTON ROD		