

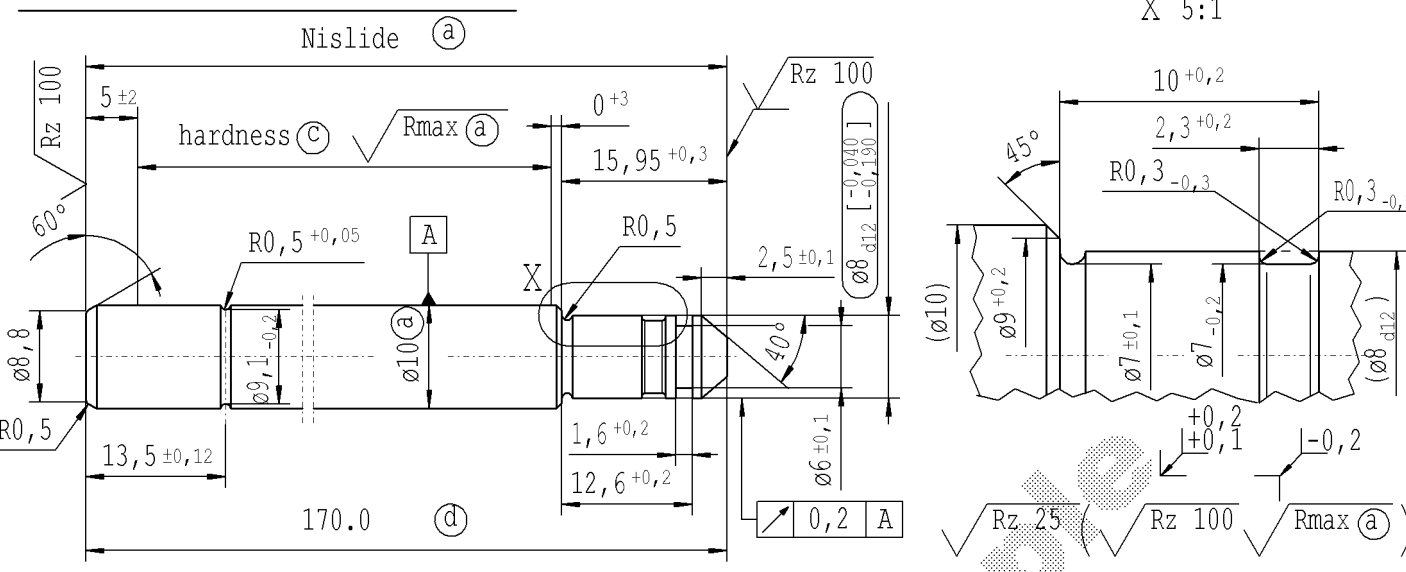
The print-out is not subject to the modification service.

Intended for internal and external use

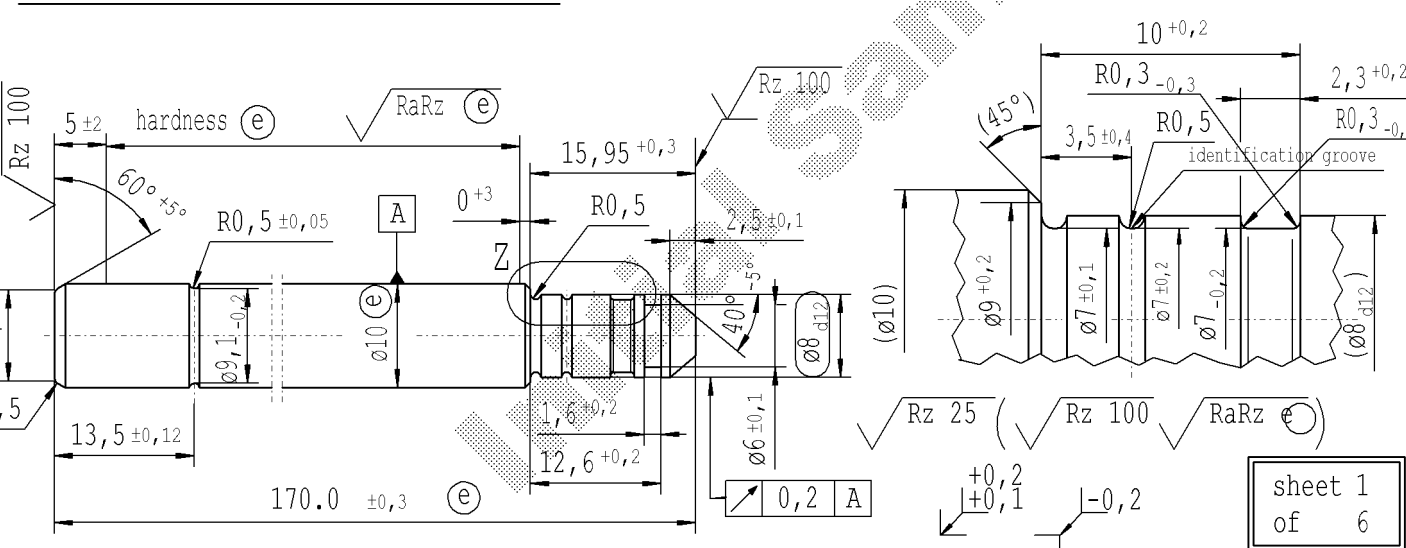
Ident. Doc.: EFFE11.dwg: 7/1/2022 - 11:22

supp No.	material no.		A overall length
	surface treatment processing acc. to STAB-Spec. 10006248 table V Nislide light ①	surface treatment processing acc. to STAB-Spec. 10028959 table II ②	
Version 1		Version 2	
1	1993TA	1993TA	194.0
3	1991TK	1991TK	179.0
4	7953TD	7953TD	323.0
5	8331TF	8331TF	170.0
8	8489TJ	8489TJ	134.0
9	8328TD	8328TD	149.0
10	8532TN	8532TN	158.0
12	8501TJ	8501TJ	176.0
15	8425TL	8425TL	188.0
18	8429TS	8429TS	200.0
21	8677UH	8677UH	213.5
24	3798UX	3798UX	329.0
29	8652TV	8652TV	189.5
33	9858TX	9858TX	181.0
34	2492UB	2492UB	191.5
35	1511VY	1511VY	205.0
36	7788VU	7788VU	159.0
38	5573ZL	5573ZL	308.0
39	5764ZZ	5764ZZ	198.0
40	5906ZK	5906ZK	261.0
42	8763ZG	8763ZG	165.0

Version 1 (only self-manufacturing)



Version 2 (only external manufacturing)



- ① before grinding:
Hardness depth and hardness test acc. to STAB-Spec. 10258370
- ② tolerance $+0.2$ after turning
 -0.1 after straightening
 ± 0.3 after straightening
 ± 0.3 after nisliding

DE: X	EN: X	ES:	IT:	PR:	FR:	RO: X	CAD created document handwritten changes not permitted			Material: Version 1: Mat.No. 010715 Version 2 : 1.1193	All dimensions are in mm	Marking of special characteristics according to STAB-Spec. 10270932	Drawn by 11.02.2005 KeBelheim	Date 11.02.2005	Name KeBelheim
new	.8619TK	8652TV8/11799052TB9087PK 9858TX2492UB1511VY7788VU	① = acc. STAB-Spec. 10258370	new format Internal/Supplier	R0,5 ±0,5				Edge tolerances acc. to DIN ISO 13715	Scale: (Original DIN A3) 2:1	Dimensions without tolerances DIN ISO 2768 mK	Checked 04.10.2021 C.Banciu			
old	DOK 10023735 Pos.29	was on Dok.10023735	② = RHT 0,4 0,7 mm	Supplier drawing separately	R0,5 ±0,5				Surface finish DIN EN ISO 1302						
Field	Pos.28	Tab.Pos. 29-36	B 7-8	-	C5				Replaces:				Document No.: 10028756		
Date/Name	12.01.2007 Ho	24.4.07 ReB.	14.05.2019 Jablonski	10.02.2021 Jablonski	04.10.2021 Donat								Material No.:		
Chg. No.	554410	556213	678684	695144	701641										
Rev.	5	6	7	8	9				STABILUS		PISTON ROD				

Environmental protection acc. to STAB-Spec. 10005649