

The print-out is not subject to the modification service.

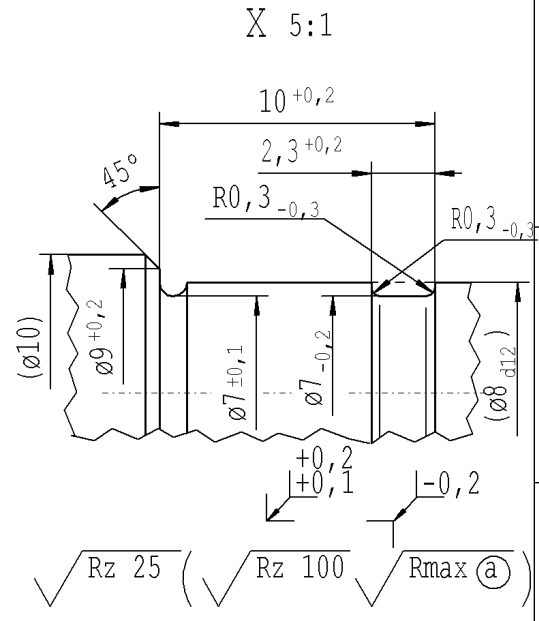
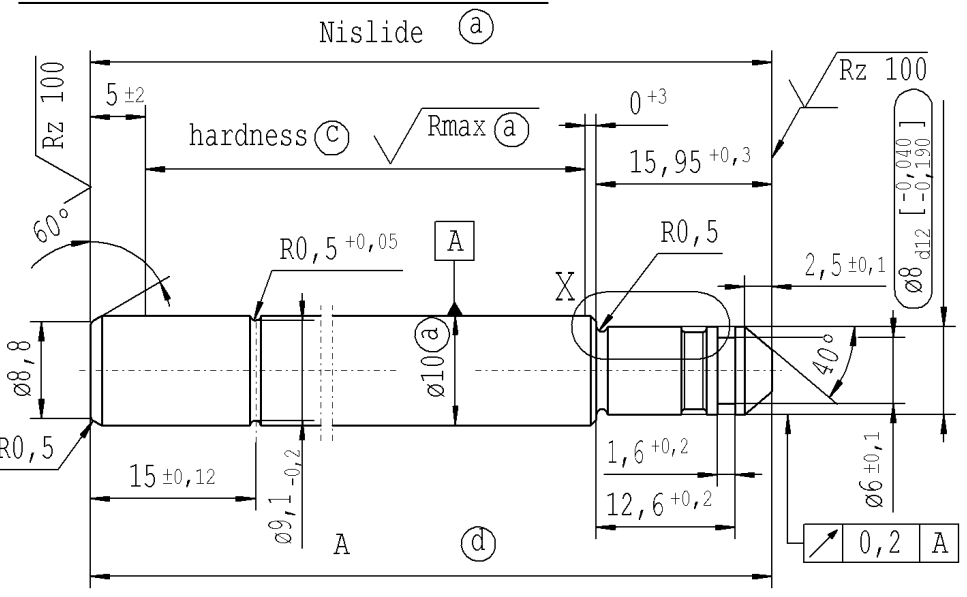
Intended for internal and external use

EN

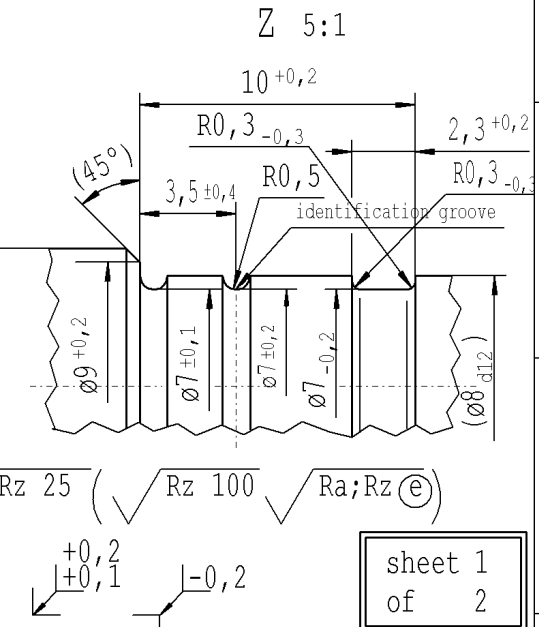
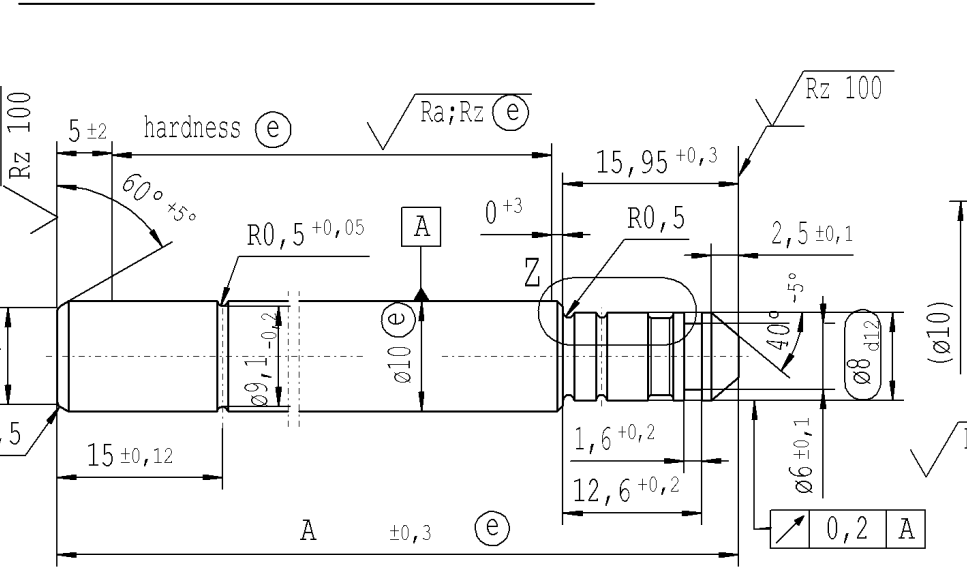
Ident. Doc.:

supp No.	material no.		A
	surface treatment processing acc. to STAB-Spec. 10006248 table V Nislite light	surface treatment processing acc. to STAB-Spec. 10028959 table II	
	Version 1	Version 2	overall length
1	001470	001470	159.0
2	001501	001501	183.0
3	001509	001509	186.0
6	001641	001641	210.0
7	001675	001675	195.0
8	001718	001718	177.0
12	006991	006991	180.0
14	007092	007092	216.0
16	007130	007130	135.0
17	007157	007157	153.0
18	007162	007162	162.0
20	007213	007213	231.0
22	007260	007260	234.0
26	007462	007462	165.0
29	013058	013058	237.0
31	017970	017970	144.0
33	020731	020731	138.0
36	031019	031019	93.0
38	068833	068833	189.0
39	621403	621403	176.0
40	104216	104216	213.0

Version 1 (only self-manufacturing)



Version 2 (only external manufacturing)



- ⓐ before grinding:
Hardness depth and hardness test acc. to STAB-Spec. 10258370
- ⓑ tolerance $\begin{matrix} +0,2 \\ -0,1 \end{matrix}$ after turning
 $\pm 0,3$ after straightening
 $\pm 0,3$ after nisliding

Environmental protection acc. to STAB-Spec. 10005649

DE: X	EN: X	ES:	IT:	PR:	FR:	RO: X	CAD created document; handwritten changes not permitted
new	Initial release	ⓐ = acc. STAB-Spec. 10258370	new format Internal/Supplier				
old	---	ⓐ = RHT 0,4 ... 0,7 mm	Supplier drawing separately				
Field	---	B 7-8		-			
Date/Name	17.09.07 Keßelh.	15.05.2019 Jablonski	10.02.2021 Jablonski				
Chg. No.	---	678682	695145				
Rev.	0	1	2				

Material: Version 1: Mat.No. 010715 Version 2 : 1.1193
Edge tolerances acc. to DIN ISO 13715
Surface finish DIN EN ISO 1302
Replaces:
STABILUS

All dimensions are in mm	Marking of special characteristics according to STAB-Spec. 10270932
Scale: (Original DIN A3) 2:1	Dimensions without tolerances DIN ISO 2768 mK
We reserve all rights to this document, to any patents or patent registrations related hereto, and to the duplication, retransmission by third parties and misc. use. Any use of this document is not permitted without the written consent of STABILUS.	
Document No.: 10149351	
Material No.:	

Date	Name
17.09.2007	Keßelheim
Checked	10.02.2021 C.Banciu

sheet 1 of 2

PISTON ROD