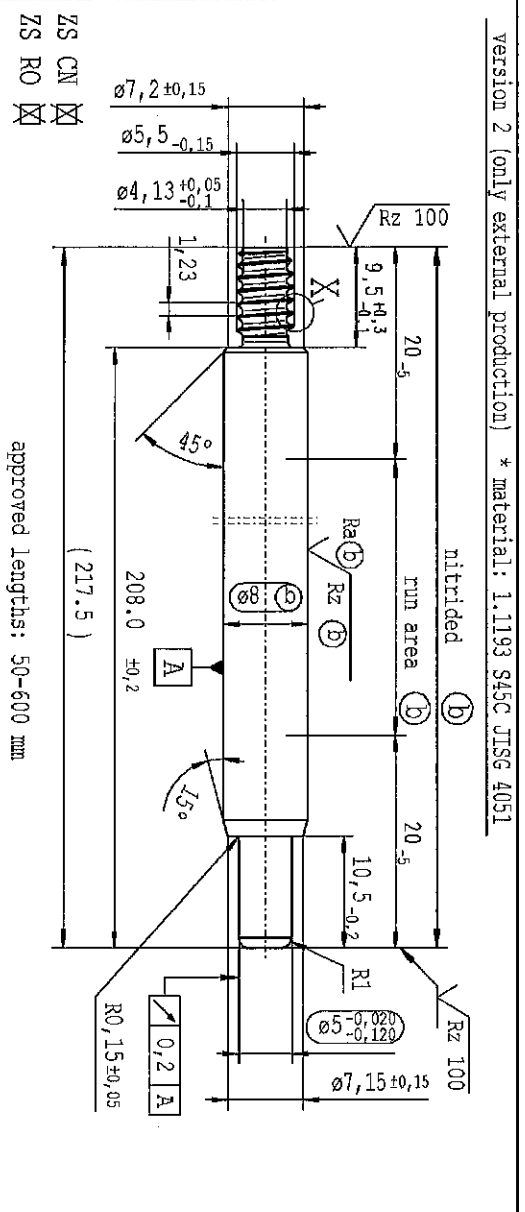
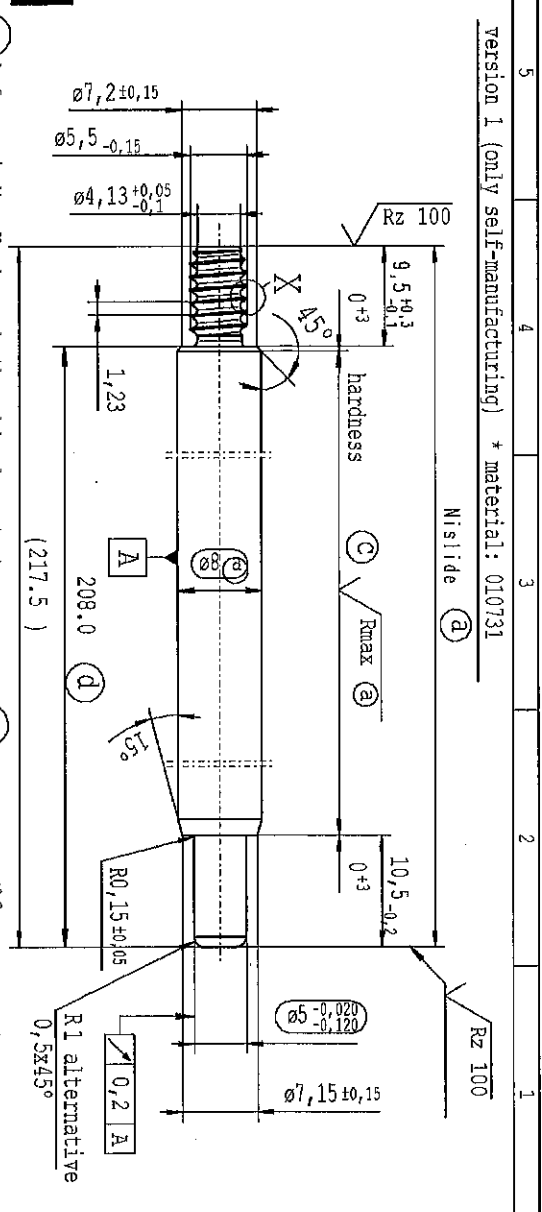
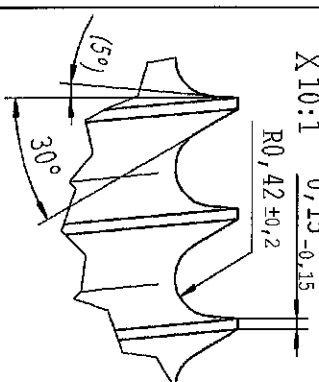
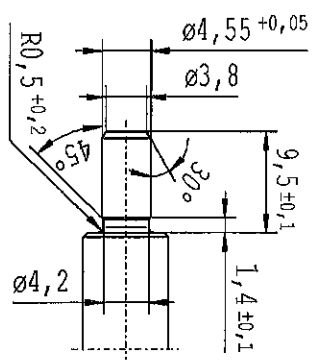


| supp No. | material no. | A | F | 5 | 4 | 3 | 2 | 1 |
|----------|--------------|-------|-------|--|-------------|---|---|--------|
| 144 | 453195 | 100.0 | 90.5 | version 1 (only self-manufacturing) * material: 010731 | Nislide (d) | | | Rz 100 |
| 145 | 458214 | 115.5 | 106.0 | | | | | |
| 146 | 458692 | 206.0 | 196.5 | | | | | |
| 147 | 474705 | 87.0 | 77.5 | | | | | |
| 148 | 495259 | 186.0 | 176.5 | | | | | |
| 149 | 506014 | 336.0 | 326.5 | | | | | |
| 150 | 509599 | 88.5 | 79.0 | | | | | |
| 151 | 510308 | 324.0 | 314.5 | | | | | |
| 152 | 528241 | 217.5 | 208.0 | version 2 (only external production) * material: 1.1193 S45C JISG 4051 | | | | |
| 153 | 560028 | 253.5 | 244.0 | | | | | |
| 154 | 578192 | 81.0 | 71.5 | | | | | |
| 155 | 596117 | 348.0 | 338.5 | | | | | |
| 156 | 606872 | 275.0 | 265.5 | | | | | |
| 157 | 607350 | 251.0 | 241.5 | | | | | |
| 158 | 607828 | 292.0 | 282.5 | | | | | |
| 159 | 608784 | 293.0 | 283.5 | | | | | |
| 160 | 610457 | 166.0 | 156.5 | | | | | |
| 161 | 613086 | 154.0 | 144.5 | | | | | |
| 162 | 614042 | 137.5 | 128.0 | | | | | |



ALMG COI-standards acc. to STAB-Spec. 10027692
 CAD created document handwritten changes not permitted
 ZS CN / ZS RO no technical change, no new first sample required
 ZS CN ZS RO
 approved lengths: 50-600 mm
 Rz 25 (Rz 100) Rmax (a) Ra (b) Rz (c) H+0,2 H-0,2
 sheet 8 of 12

STABILUS PISTON ROD

Material: *
 All dimensions are in mm
 Marking of special characteristics according to STAB-Spec. 10270992
 Drawing by: 05.12.2007 HOFER
 Checked: 11.03.2022 Klinkner
 Document No.: 10151066
 Material No.: 10151066