

The print-out is not subject to the modification service.

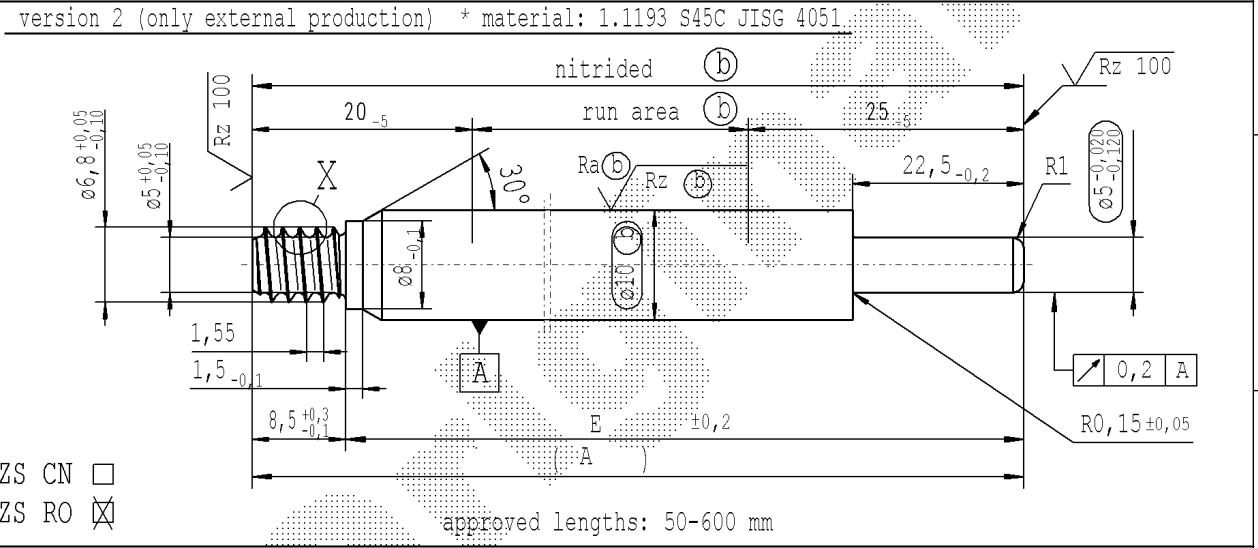
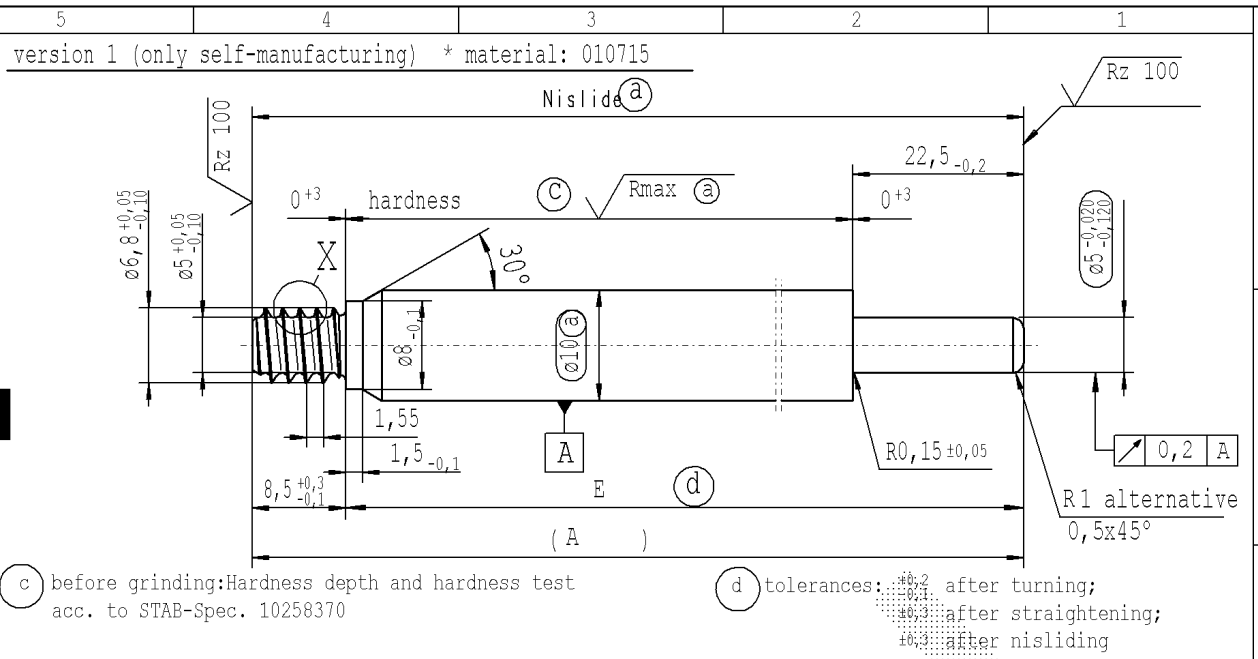
Intended for internal and supplier use

EN

Ident. Doc.:

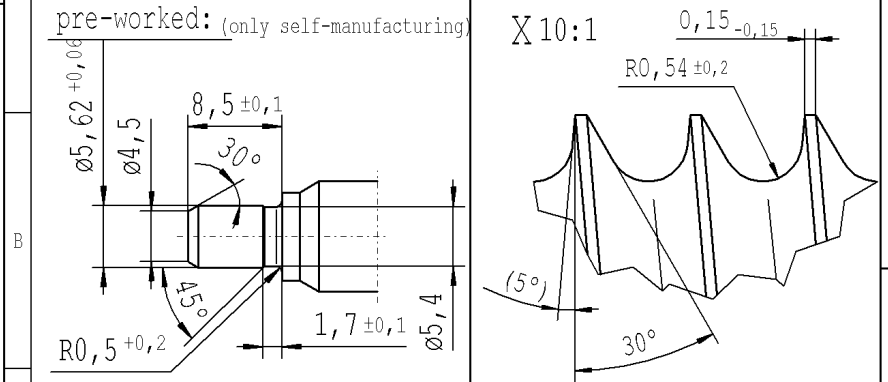
Date: 21/12/2022 - 11:57

supp No.	material no.			A	E
	10006248 Tab. XVI optimized version 1	10006248 Tab. X version 1	10028959 Tab. I version 2	overall length	length without endfitting stud
1	210610	210610	210610	444	435.5
2	217541	217541	217541	474	465.5
3	218497	218497	218497	393	384.5
4	225906	225906	225906	402	393.5
5	229252	229252	229252	282	273.5
6	045701	045701	045701	288	279.5
7	049047	049047	049047	216	207.5
8	062670	062670	062670	234	225.5
9	070557	070557	070557	369	360.5
10	099476	099476	099476	315	306.5
11	099954	099954	099954	306	297.5
12	166157	166157	166157	210	201.5
13	260084	260084	260084	360	351.5
14	364527	364527	364527	321	312.5
15	375282	375282	375282	390	381.5
16	410415	410415	410415	300	291.5
17	515336	515336	515336	384	375.5
18	516053	516053	516053	420	411.5
19	518443	518443	518443	450	441.5



ZS CN
ZS RO

sheet 1 of 2



AIAG CQI-standards acc. to STAB-Spec. 10027692				Environmental protection acc. to STAB-Spec. 10005649			
DE: X	EN: X	ES:	IT:	PR:	FR:	RO: X	CAD created document; handwritten changes not permitted
new	INITIAL RELEASE	ZS CN / ZS RO; no technical change, no new first sample required					
old	-	-					
Field	-	B/5					
Date/Name	08.12.2021 Donat	10.03.2022 Hein					
Chg. No.	-	707983					
Rev.	0	0					
Material: *				All dimensions are in mm			
Edge tolerances acc. to DIN ISO 13715				Marking of special characteristics according to STAB-Spec. 10270932			
Surface finish DIN EN ISO 1302				Scale: (Original DIN A3) 2:1			
Replaces:				We reserve all rights to this document, to any patents or patent registrations related hereto, and to the duplication, retransmission by third parties and misc. use. Any use of this document is not permitted without the written consent of STABILUS.			
STABILUS				PISTON ROD			
				Date: 08.12.2021 Name: Donat			
				Checked: 10.03.2022 Klinkner			
				Document No.: 10300950			
				Material No.:			