

The print-out is not subject to the modification service.

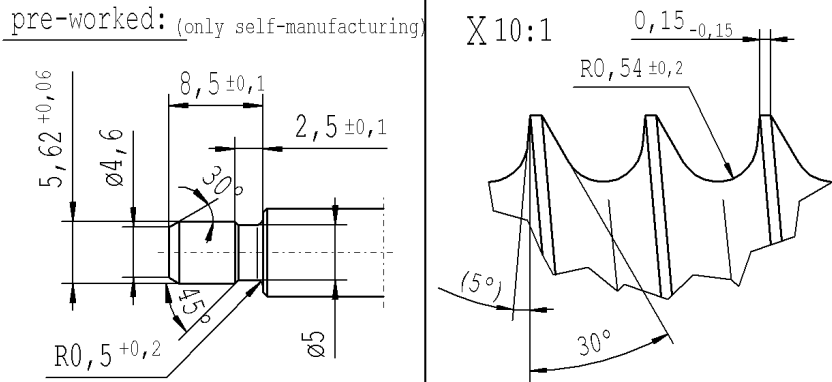
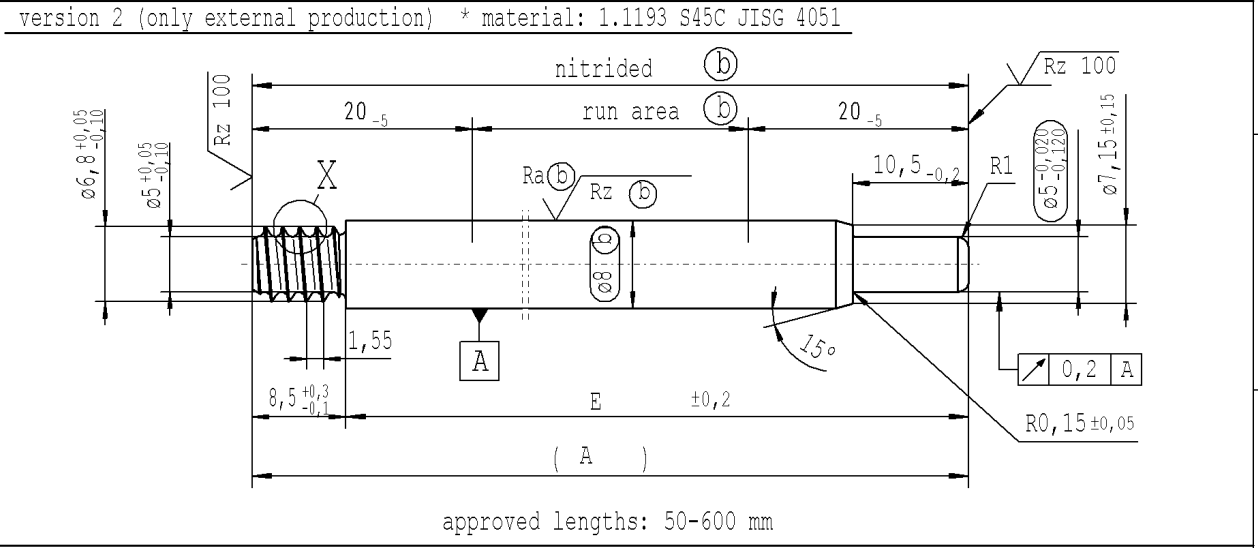
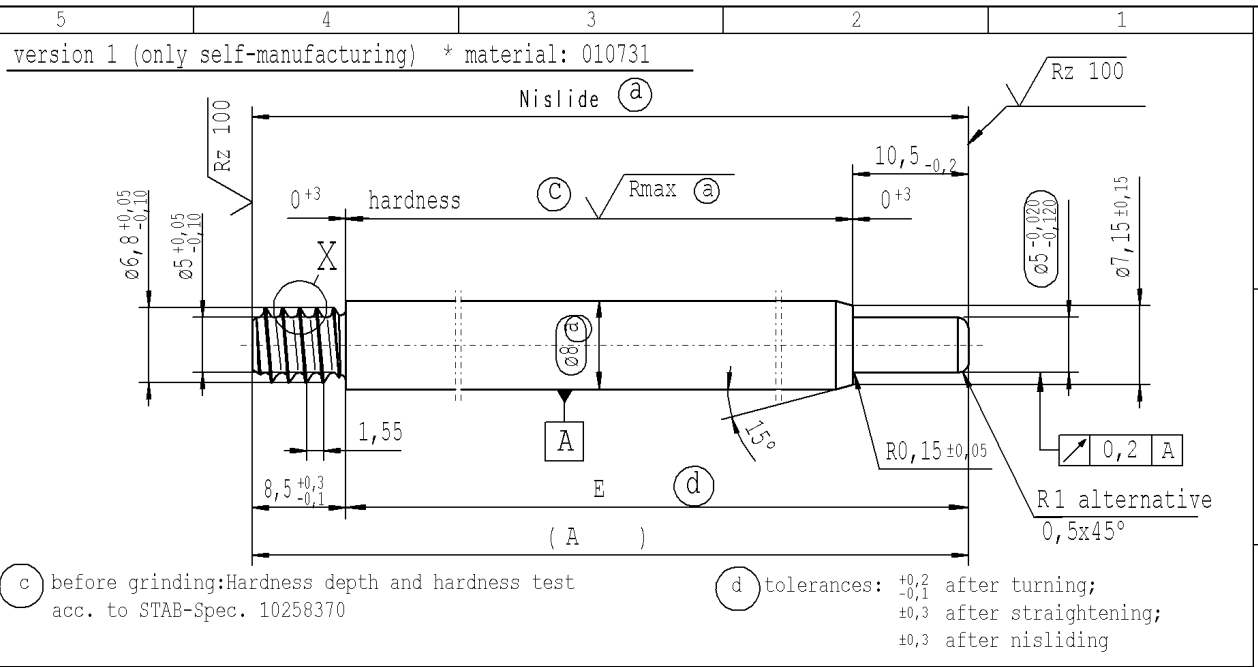
Intended for internal and supplier use

EN

Ident. Doc.:

Date/Name

supp No.	material no.			A	E
	10006248 Tab. XVI optimized version 1	10006248 Tab. X version 1	10028959 Tab. I version 2	overall length	length without endfitting stud
290	638896	638896	638896	376.0	367.5
291	639613	639613	639613	303.0	294.5
292	644632	644632	644632	339.0	330.5
293	681916	681916	681916	58.0	49.5
294	683350	683350	683350	63.0	54.5
295	687891	687891	687891	101.0	92.5
296	688369	688369	688369	379.5	371.0
297	697690	697690	697690	90.0	81.5
298	698168	698168	698168	113.0	104.5
299	709162	709162	709162	336.5	328.0
300	713703	713703	713703	410.0	401.5
301	714898	714898	714898	114.0	105.5
302	716093	716093	716093	456.0	447.5
303	717288	717288	717288	334.5	326.0
304	717766	717766	717766	88.0	79.5
305	721590	721590	721590	372.0	363.5
306	732823	732823	732823	301.5	293.0
307	757440	757440	757440	316.0	307.5
308	763893	763893	763893	81.0	72.5



sheet 14 of 16

AIAG CQI-standards acc. to STAB-Spec. 10027692				Environmental protection acc. to STAB-Spec. 10005649								
DE: X	EN: X	ES:	IT:	PR: X	FR:	RO: X	CAD created document; handwritten changes not permitted	Material: *	All dimensions are in mm	Marking of special characteristics according to STAB-Spec. 10270932	Date: 05.12.2007	Name: Höfer
new	(5°); no technical change, no new first sample required			Tab XVI; no technical change, no new first sample required				Scale: (Original DIN A3) 2:1	Dimensions without tolerances DIN ISO 2768-mK	Drawn by: 12.08.2021	Milles	
old	5°			Tab IV;				Edge tolerances acc. to DIN ISO 13715		Checked: 12.08.2021	Milles	
Field	B/6-7			F 8				Surface finish DIN EN ISO 1302		Document No.: 10151065		
Date/Name	31.03.2021 Hein			12.08.2021 Donat				Replaces:		We reserve all rights to this document, to any patents or patent registrations related hereto, and to the duplication, retransmission by third parties and misc. use. Any use of this document is not permitted without the written consent of STABILUS.		
Chg. No.	696924			699704				STABILUS	PISTON ROD			Material No.:
Rev.	21			21								