

The print-out is not subject to the modification service.

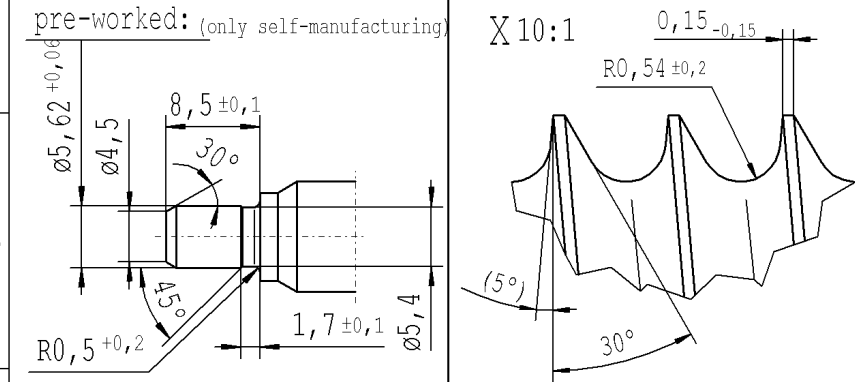
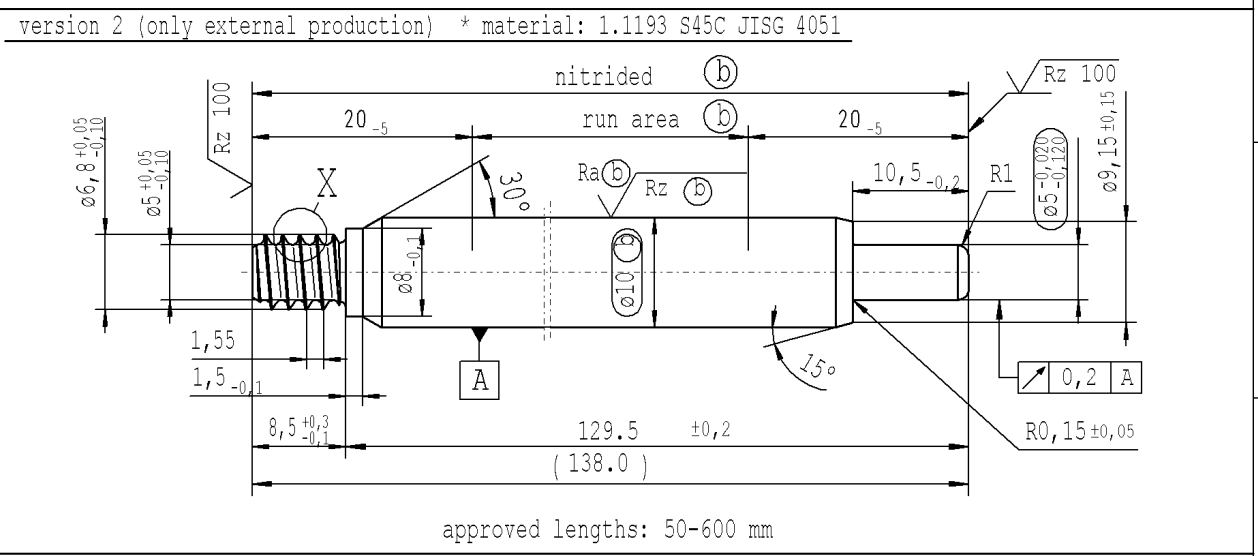
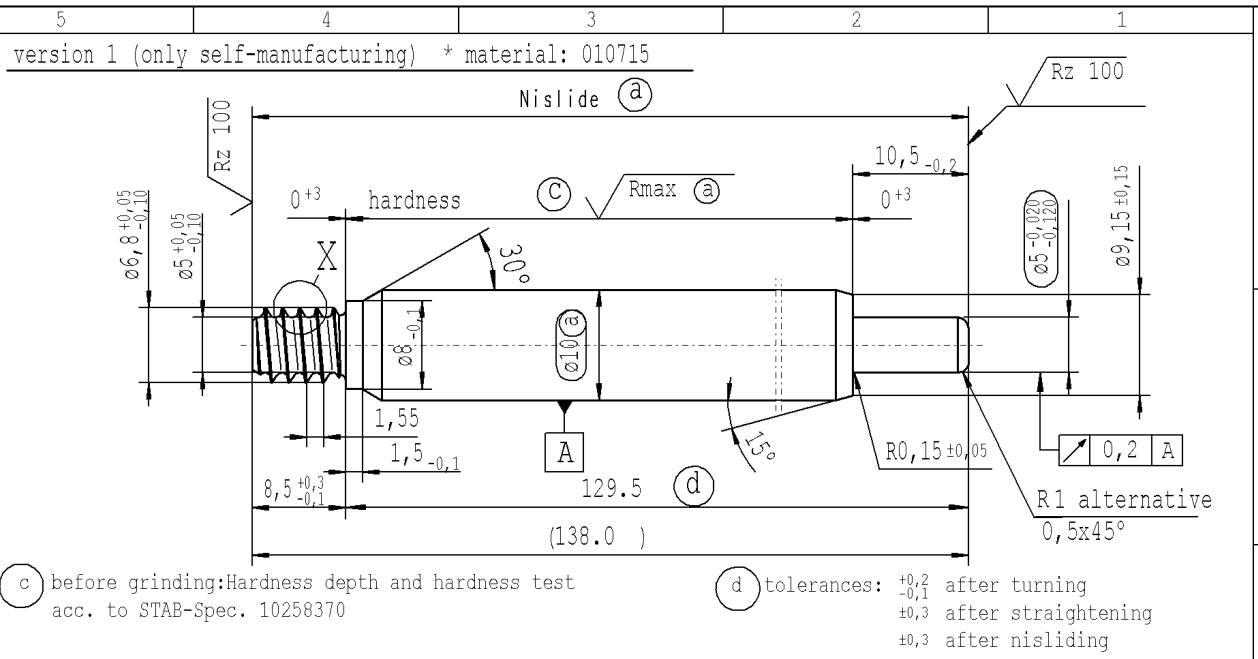
Intended for internal and supplier use

EN

Bereitstellungsdatum: 7/2/2022 - 12:8

Ident. Doc.:

supp No.	material no.			A	E
	processing and surface treatment acc. to STAB-Spec. 10006248 Tab. XVI optimized version 1	10006248 Tab. X version 1	10028959 Tab. I version 2	overall length	length without endfitting stud
123	803328	803328	803328	420.0	411.5
124	822448	822448	822448	495.0	486.5
125	822926	822926	822926	456.0	447.5
126	832247	832247	832247	438.0	429.5
127	840134	840134	840134	447.0	438.5
128	847304	847304	847304	360.0	351.5
129	849694	849694	849694	408.0	399.5
130	850172	850172	850172	471.0	462.5
131	101865	101865	101865	90.0	81.5
132	158269	158269	158269	210.0	201.5
133	178823	178823	178823	153.0	144.5
134	240724	240724	240724	323.5	315.0
135	280398	280398	280398	138.0	129.5
136	326525	326525	326525	222.0	213.5
137	447937	447937	447937	189.0	180.5
138	614759	614759	614759	256.5	248.0
139	639615	639615	639615	444.0	435.5
140	896062	896062	896062	164.0	155.5



$\sqrt{Rz\ 25}$ ($\sqrt{Rz\ 100}$ \sqrt{Rmax} (a) \sqrt{Ra} (b) \sqrt{Rz} (b)) ± 0.2 -0.2

sheet 7 of 7

DE: X				EN: X				ES:				IT:				PR:				FR:				RO: X				CAD created document handwritten changes not permitted												Material: *												All dimensions are in mm												Marking of special characteristics according to STAB-Spec. 10270932												Date				Name			
new				(5°) no technical change, no new first sample required				Tab XVI no technical change, no new first sample required				5°				Tab IV				B/6-7				F 8				08.04.2021 Hein				12.08.2021 Donat				Edge tolerances acc. to DIN ISO 13715				Surface finish DIN EN ISO 1302				Replaces:				Scale: (Original DIN A3) 2:1				Dimensions without tolerances DIN ISO 2768-mK				Drawn by				17.12.2007				C.Hein																			
old				5°				Tab IV				B/6-7				F 8				08.04.2021 Hein				12.08.2021 Donat				Surface finish DIN EN ISO 1302				Replaces:				Scale: (Original DIN A3) 2:1				Dimensions without tolerances DIN ISO 2768-mK				Checked				12.08.2021				Milles																															
Field				B/6-7				F 8				08.04.2021 Hein				12.08.2021 Donat				Surface finish DIN EN ISO 1302				Replaces:				Scale: (Original DIN A3) 2:1				Dimensions without tolerances DIN ISO 2768-mK				Document No.:				10151520																																											
Date/Name				08.04.2021 Hein				12.08.2021 Donat				Surface finish DIN EN ISO 1302				Replaces:				Scale: (Original DIN A3) 2:1				Dimensions without tolerances DIN ISO 2768-mK				Material No.:																																																							
Chg. No.				696948				699704				Surface finish DIN EN ISO 1302				Replaces:				Scale: (Original DIN A3) 2:1				Dimensions without tolerances DIN ISO 2768-mK				Material No.:																																																							
Rev.				13				13				Surface finish DIN EN ISO 1302				Replaces:				Scale: (Original DIN A3) 2:1				Dimensions without tolerances DIN ISO 2768-mK				Material No.:																																																							

STABILUS

PISTON ROD