

The print-out is not subject to the modification service.

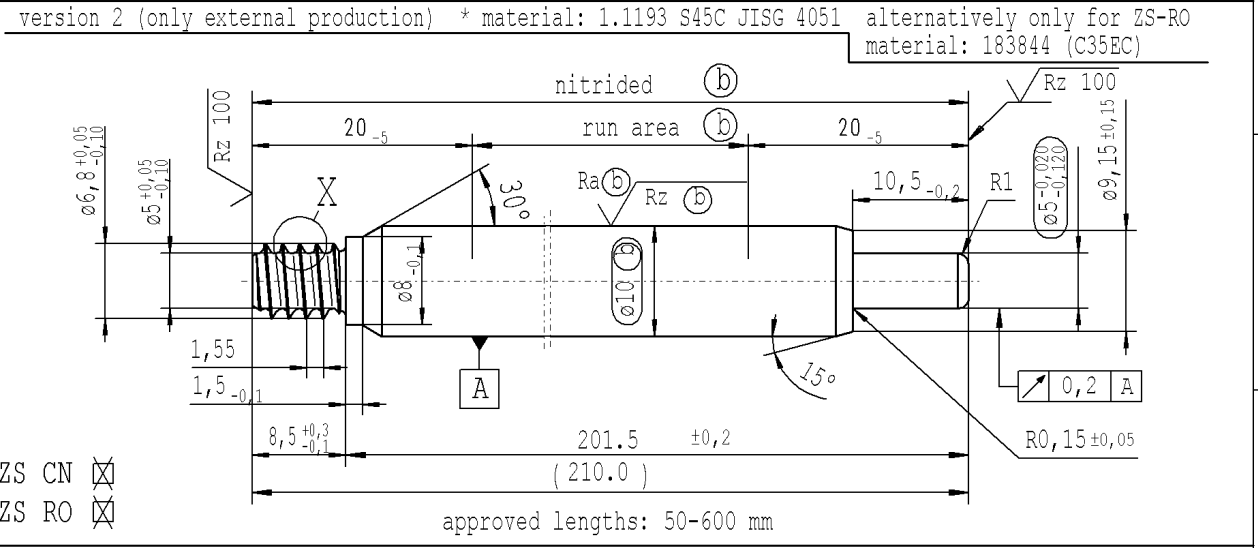
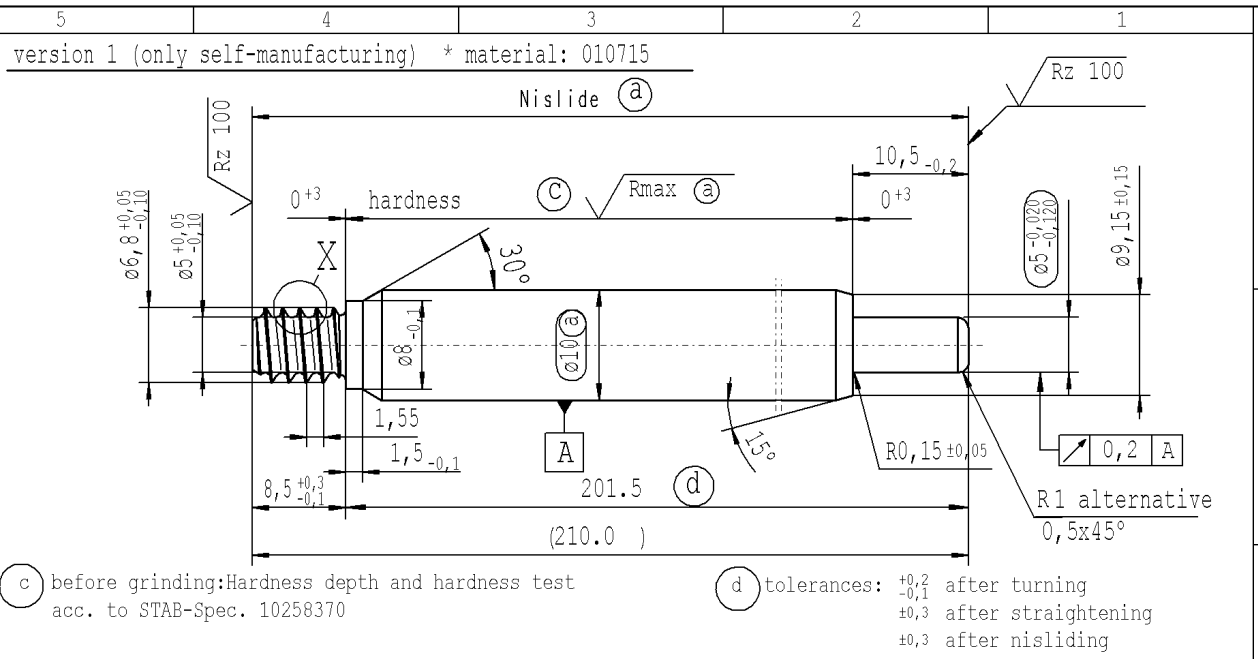
Intended for internal and supplier use

EN

Ident. Doc.:

Date: 05.12.2022 / 08:24:45 ***** Ausdruck nicht massgetreu *****

supp No.	material no.			A	E
	processing and surface treatment acc. to STAB-Spec. 10006248 Tab. XVI optimized	10006248 Tab. X	10028959 Tab. I	overall length	length without endfitting stud
	(a) version 1	(a) version 1	(b) version 2		
123	803328	803328	803328	420.0	411.5
124	822448	822448	822448	495.0	486.5
125	822926	822926	822926	456.0	447.5
126	832247	832247	832247	438.0	429.5
127	840134	840134	840134	447.0	438.5
128	847304	847304	847304	360.0	351.5
129	849694	849694	849694	408.0	399.5
130	850172	850172	850172	471.0	462.5
131	101865	101865	101865	90.0	81.5
132	158269	158269	158269	210.0	201.5
133	178823	178823	178823	153.0	144.5
134	240724	240724	240724	323.5	315.0
135	280398	280398	280398	138.0	129.5
136	326525	326525	326525	222.0	213.5
137	447937	447937	447937	189.0	180.5
138	614759	614759	614759	256.5	248.0
139	639615	639615	639615	444.0	435.5
140	896062	896062	896062	164.0	155.5
141	949837	949837	949837	129.0	120.5



$\sqrt{Rz\ 25}$ ($\sqrt{Rz\ 100}$ $\sqrt{Rmax\ (a)}$ $\sqrt{Ra\ (b)}$ $\sqrt{Rz\ (b)}$) $\sqrt{\pm 0.2}$ $\sqrt{-0.2}$

AIAG CQI-standards acc. to STAB-Spec. 10027692		Environmental protection acc. to STAB-Spec. 10005649	
DE: X	EN: X	ES:	IT:
new	ZS CN / ZS RO no technical change, no new first sample required		version 2 alternatively only for ZS-RO material: 183844 (C35EC)
old	-		-
Field	B/5		D/1-5
Date/Name	10.03.2022 Hein		26.07.2022 Hein
Chg. No.	707979		713496
Rev.	13		14
Material: *		All dimensions are in mm	
Edge tolerances acc. to DIN ISO 13715		Marking of special characteristics according to STAB-Spec. 10270932	
Surface finish DIN EN ISO 1302		Scale: (Original DIN A3) 2:1	
Replaces:		Dimensions without tolerances DIN ISO 2768-mK	
STABILUS		We reserve all rights to this document, to any patents or patent registrations related hereto, and to the duplication, retransmission by third parties and misc. use. Any use of this document is not permitted without the written consent of STABILUS.	
PISTON ROD		Document No.: 10151520	
		Material No.:	

sheet 7 of 8