

The print-out is not subject to the modification service.

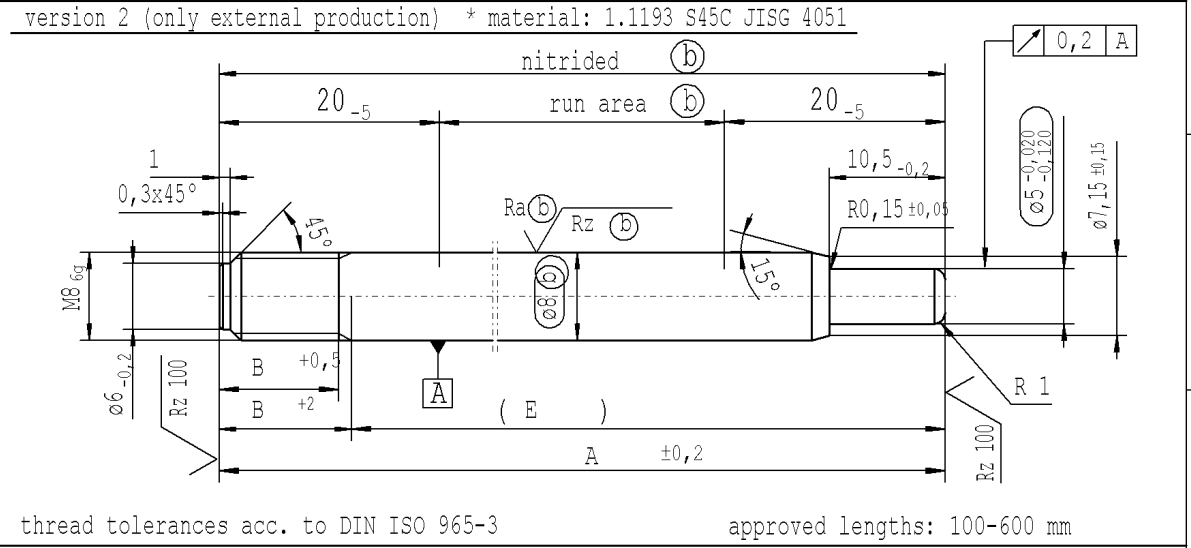
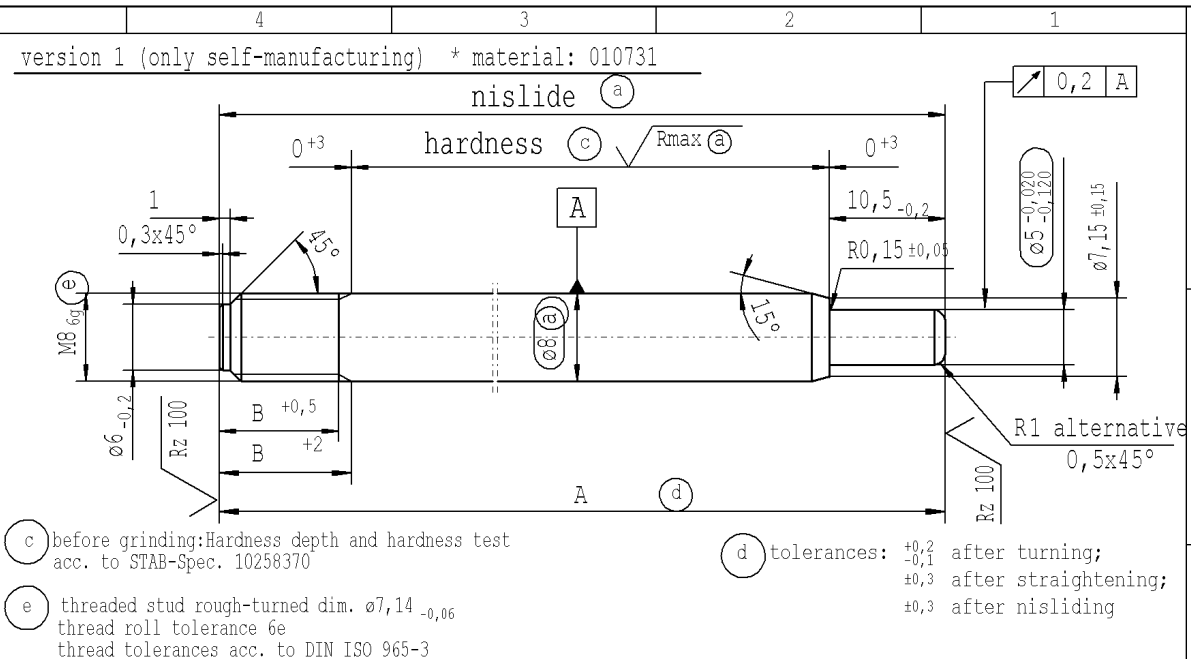
Intended for internal and supplier use

EN

Brevetdaten: 5/11/2021 - 11:16

Ident. Doc.:

| supp No. | material no. | | | | A | B |
|----------|---|------------------------------|------------------------------|------------------------------|----------------|---------------|
| | processing and surface treatment acc. to STAB-Spec. | | | | overall length | thread length |
| | 10006248 Tab. XVI optimized version 1 | 10006248 Tab. V version 1 | 10006248 Tab. X version 1 | 10028959 Tab. I version 2 | | |
| 3 | 262925 | | 262925 | 262925 | 153.0 | 10 |
| 4 | 376689 | | 376689 | 376689 | 147.0 | 10 |
| 5 | 192182 | | 192182 | 192182 | 204.0 | 10 |
| 6 | 369759 | | 369759 | 369759 | 258.0 | 10 |
| 7 | 389835 | | 389835 | 389835 | 195.0 | 12 |
| 8 | 391747 | | 391747 | 391747 | 153.0 | 12 |
| 9 | | 449585 | | 449585 | 564.0 | 10 |
| 11 | 941208 | | 941208 | 941208 | 108.0 | 10 |
| 12 | 071966 | | 071966 | 071966 | 250.0 | 10 |
| 13 | 114990 | | 114990 | 114990 | 327.0 | 10 |
| 14 | 782758 | | 782758 | 782758 | 321.0 | 10 |
| 15 | 975631 | | 975631 | 975631 | 267.0 | 10 |
| 16 | 571964 | | 571964 | 571964 | 246.0 | 10 |
| 17 | 426176 | | 426176 | 426176 | 162.0 | 10 |
| 18 | 246210 | | 246210 | 246210 | 348.0 | 10 |
| 19 | 151331 | | 151331 | 151331 | 171 | 6 |
| 20 | 265816 | | 265816 | 265816 | 207.0 | 10 |
| 21 | 569346 | | 569346 | 569346 | 276.0 | 10 |
| 22 | 701035 | | 701035 | 701035 | 186.0 | 10 |
| 23 | 414714 | | 414714 | 414714 | 303.0 | 8 |



$\sqrt{Rz\ 25}$ ($\sqrt{Rz\ 100}$ $\sqrt{R_{max}}$ (a) \sqrt{Ra} (b) \sqrt{Rz} (b)) $\downarrow +0,2$ $\downarrow -0,2$

sheet 1
of 4

| | | | | | | | |
|---|-------|-----|-----|---|-----|-------|--|
| AIAG CQI-standards acc. to STAB-Spec. 10027692 | | | | Environmental protection acc. to STAB-Spec. 10005649 | | | |
| DE: X | EN: X | ES: | IT: | PR: | FR: | RO: X | |
| CAD created document; handwritten changes not permitted | | | | Material: * | | | |
| new $\text{C} =$ acc. STAB-Spec. 10258370 new format Internal/Supplier Tab XVI; no technical change, no new first sample required | | | | All dimensions are in mm C Marking of special characteristics according to STAB-Spec. 10270932 | | | |
| old $\text{C} =$ RHT 0,4 ... 0,7 mm Supplier drawing separately Tab IV; | | | | Scale: (Original DIN A3) 2:1 Dimensions without tolerances DIN ISO 2768-mK | | | |
| Field C8 - F 8 | | | | Edge tolerances acc. to DIN ISO 13715 | | | |
| Date/Name 06.06.2019 Höfer 17.09.2020 Donat 16.08.2021 Donat | | | | Surface finish DIN EN ISO 1302 | | | |
| Chg. No. 678546 691413 699704 | | | | Replaces: | | | |
| Rev. 6 7 | | | | STABILUS | | | |
| | | | | PISTON ROD | | | |
| | | | | Date 05.03.2014 Name Höfer | | | |
| | | | | Checked 16.08.2021 Milles | | | |
| | | | | Document No.: 10210124 | | | |
| | | | | Material No.: | | | |