

The print-out is not subject to the modification service.

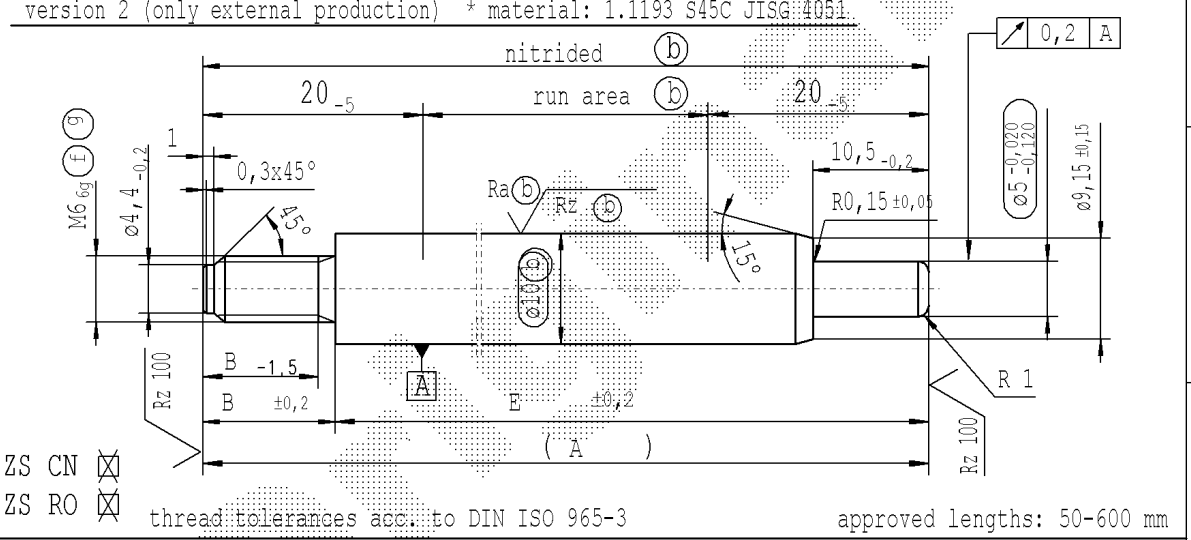
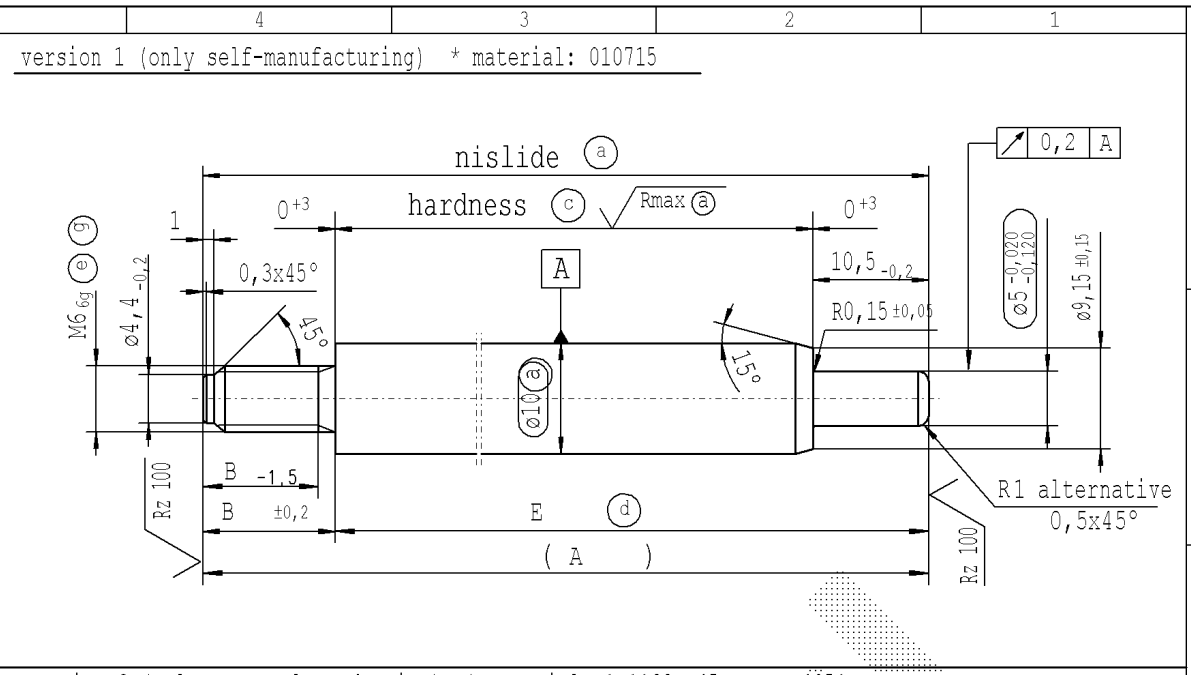
Intended for internal and supplier use

EN

Ident. Doc.:

Date: 20/12/2023 - 7:52

supp No.	material no.			A	B	E
	10006248 Tab. XVI optimized version 1	10006248 Tab. X version 1	10028959 Tab. I version 2	overall length	thread length	length without end-fitting stud
68	674749	674749	674749	366	7	359
69	679768	679768	679768	150	7	143
70	851609	851609	851609	519	7	512
71	852804	852804	852804	390	7	383
72	342062	342062	342062	132	6	126
73	343496	343496	343496	78	6	72
74	343974	343974	343974	129	6	123
75	344452	344452	344452	126	6	120
76	528004	528004	528004	87	7	80
77	968243	968243	968243	90	7	83
78	696979	696979	696979	501	6	495
79	240968	240968	240968	378	7	371



ZS CN ZS RO

thread tolerances acc. to DIN ISO 965-3 approved lengths: 50-600 mm

Material: * All dimensions are in mm Marking of special characteristics according to STAB-Spec. 10270932

Scale: (Original DIN A3) 2:1 Dimensions without tolerances DIN ISO 2768-mK

Edge tolerances acc. to DIN ISO 13715

Surface finish DIN EN ISO 1302

Replaces:

STABILUS PISTON ROD

sheet 4 of 4

Environmental protection acc. to STAB-Spec. 10005649

Date	Name
19.11.2008	Hein
10.10.2022	Klinkner

Document No.: 10160325

Material No.:

Ⓒ before grinding: Hardness depth and hardness test acc. to STAB-Spec. 10258370

Ⓓ tolerances: $+0,2$ after turning;
 $+0,3$ after straightening;
 $+0,3$ after nisliding

Ⓔ threaded stud rough-turned dim. $\phi 5,29_{-0,06}$
thread roll tolerance 6e
thread tolerances acc. to DIN ISO 965-3

Ⓕ rough-turned dim. thread roll tolerance 6e

Ⓖ In the final condition, the actual profile of the thread must not exceed the maximum material limit for the tolerance zone position h at any point

DE: X		EN: X	ES:	IT:	PR:	FR:	RO: X	CAD created document; handwritten changes not permitted		Material: *		Environmental protection acc. to STAB-Spec. 10005649	
new	ø10 Ⓓ; no technical change, no new first sample required			Ⓕ Ⓖ						All dimensions are in mm		Marking of special characteristics according to STAB-Spec. 10270932	
old	ø10 Ⓒ			-						Scale: (Original DIN A3) 2:1		Dimensions without tolerances DIN ISO 2768-mK	
Field	B/5			B/6-7; C-D/5; F/5						We reserve all rights to this document, to any patents or patent registrations related hereto, and to the duplication, retransmission by third parties and misc. use. Any use of this document is not permitted without the written consent of STABILUS.		Document No.: 10160325	
Date/Name	23.03.2022 Hein			07.10.2022 Hein						Replaces:		Material No.:	
Chg. No.	707982			715904						STABILUS		PISTON ROD	
Rev.	7			8									