

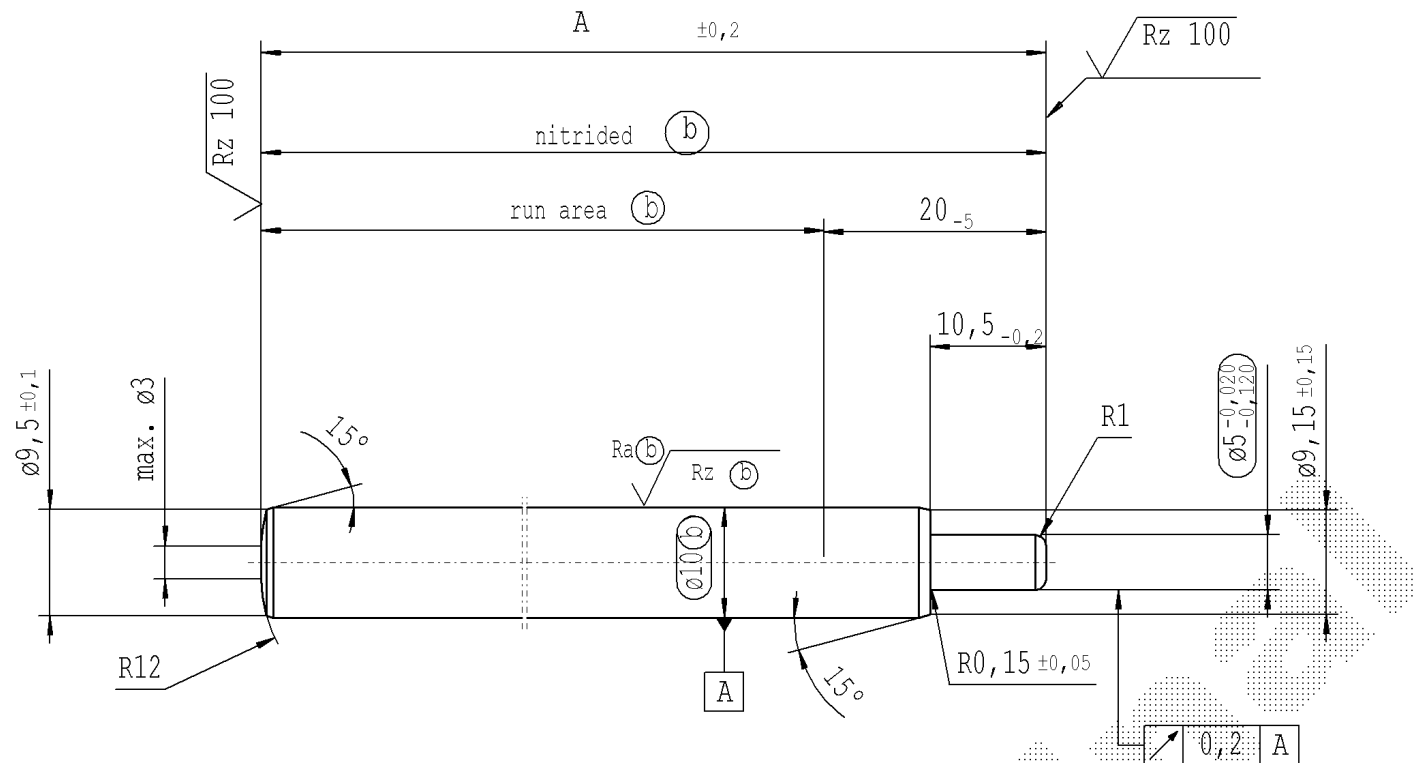
The print-out is not subject to the modification service.

Intended for internal and supplier use

Ident. Doc.:

Ident. Doc.:

supp. No.	material no.	A
	Surface treatment STAB-Spec. 10028959 Tab.I (b)	overall length
1	682626	162.0
2	100186	147.0
3	105922	144.0
4	112375	201.0
5	113331	249.0
6	913981	381.0
7	561935	168.0
8	563608	261.0
9	575558	363.0
10	308357	84.0
11	473034	265.5
12	356405	204.0
13	387475	258.0



external production * material: 1.1193 S45C JISG 4051

approved lengths: 50-600 mm

sheet 1 of 1

AIAG CQI-standards acc. to STAB-Spec. 10027692

Environmental protection acc. to STAB-Spec. 10005649

DE: X	EN: X	ES:	IT:	PR:	FR:	RO: X
new	INITIAL RELEASE	new format Supplier				
old	-	Supplier drawing separately				
Field	-	-				
Date/Name	10.12.2019 Höfer	09.11.2020 Donat				
Chg. No.	-	692776				
Rev.	0	1				

Material:	*
Edge tolerances acc. to DIN ISO 13715	
Surface finish	DIN EN ISO 1302
Replaces:	
STABILUS	

All dimensions are in mm	Marking of special characteristics according to STAB-Spec. 10270932
Scale: (Original DIN A3) 2:1	Dimensions without tolerances DIN ISO 2768-mK
We reserve all rights to this document, to any patents or patent registrations related hereto, and to the duplication, retransmission by third parties and misc. use. Any use of this document is not permitted without the written consent of STABILUS.	
Document No.: 10272399	
Material No.:	

Date	Name
10.12.2019	Höfer
Checked	09.11.2020 Klinkner