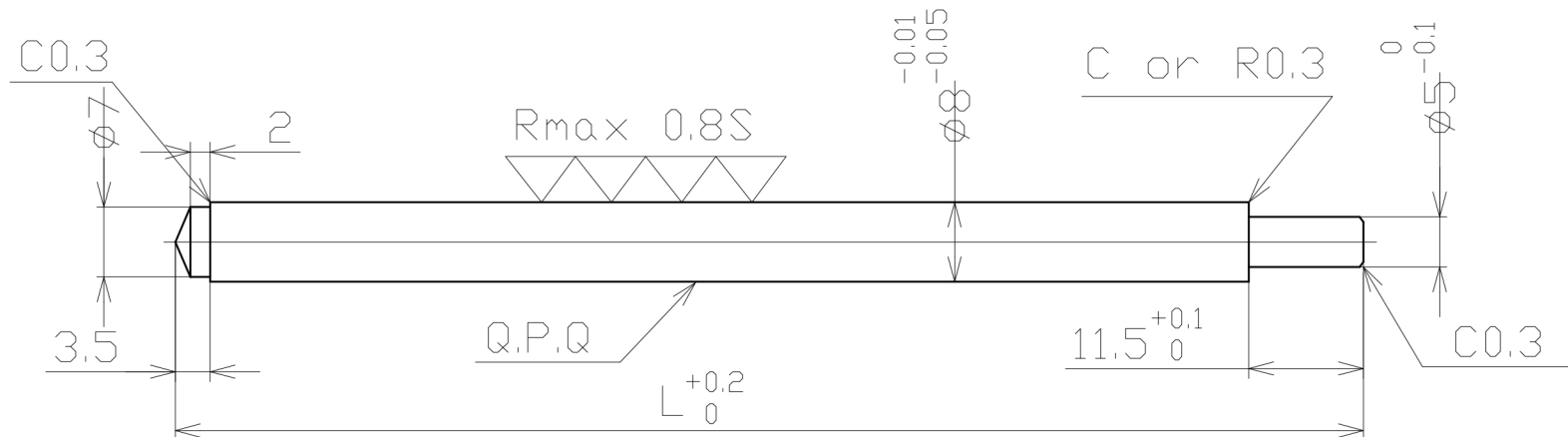


REVISIONS				
NO.	DESCRIPTION	DATE	ENG.	ECO



### 注意事项

- 1.表面上应该没有划痕。
- 2.检查长度尺寸。
- 3.表面粗糙度小于  $R_{max} 0.8s$ 。
- 4.防腐蚀测试。

根据ASTM B-117进行中性盐雾试验  
完成96小时后，一定不能发现红锈。

NO.	L	Remark
	182	

THIS DRAWING IS THE PROPERTY OF HANSAN AND IS TO BE RETURNED UPON DEMAND OR TERMINATION OF THE TRANSACTION FOR WHICH IT WAS FURNISHED. USE OF ANY INFORMATION CONTAINED ON THIS DRAWING FOR ANY PURPOSE OTHER THAN EXPRESSLY AUTHORIZED IN WRITING BY HANSAN IS PROHIBITED.				UNLESS OTHERWISE SPECIFIED ALL DIMENSIONS ARE IN METRICS AND STANDARD TOLERANCES ARE: .X = +/- 0.30 .XX = +/- 0.10 ANGLES = +/- 3.0 DEGREE		TITLE <b>ROD - R8WQ</b> <b>(WELD TYPE)</b>	
				MATERIAL <b>S35C</b>		DWG NO. <b>R8WQ - 000</b>	
DRAWN <i>Lee, W, Jin</i>	SIGNATURE	DATE 191223	FINISH <b>QPQ(Black)</b>		SCALE		SIZE
APPV'D					SHEET 1of1		