

The print-out is not subject to the modification service.

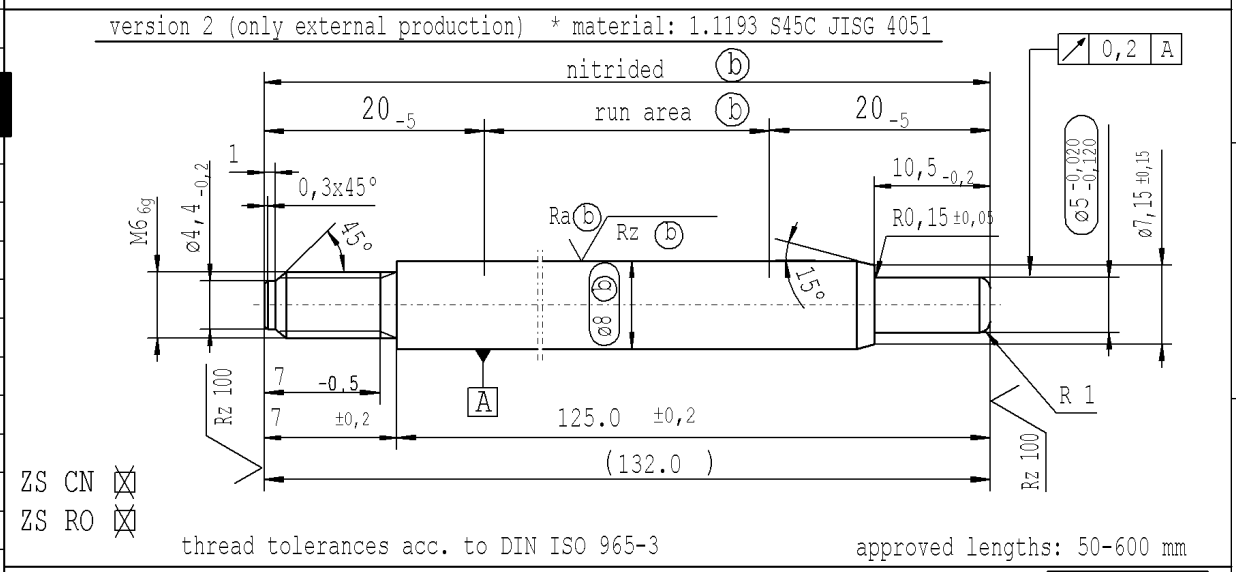
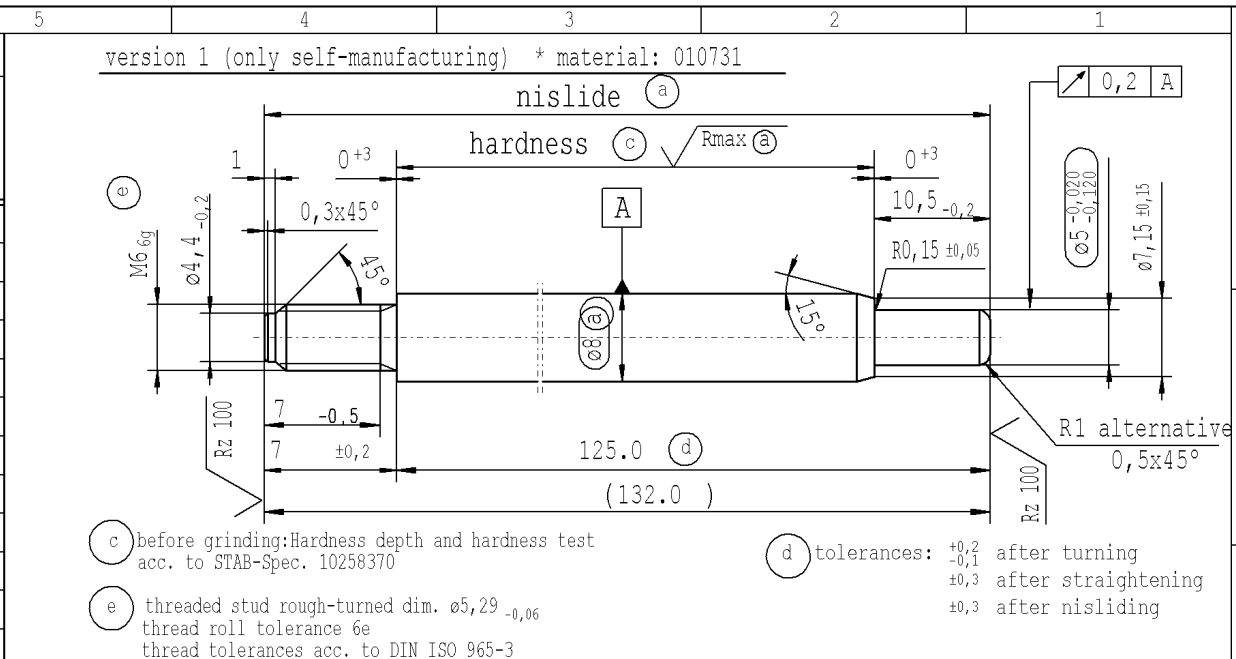
Intended for internal and supplier use

EN

Ident. Doc.:

Date: 20/02/2022 - 14:1

supp No.	material no.			A overall length	B thread length	E length without end-fitting stud
	10006248 Tab. XVI optimized version 1 (a)	10006248 Tab. X version 1 (a)	10028959 Tab. I version 2 (b)			
89	482113	482113	482113	246.0	7	239.0
90	496931	496931	496931	142.0	7	135.0
91	617865	617865	617865	318.0	7	311.0
92	620733	620733	620733	192.0	7	185.0
93	639375	639375	639375	294.0	7	287.0
94	650130	650130	650130	230.0	7	223.0
95	690043	690043	690043	253.0	7	246.0
96	704144	704144	704144	348.0	7	341.0
97	973975	973975	973975	339.0	7	332.0
98	980667	980667	980667	153.0	7	146.0
99	984013	984013	984013	108.0	7	101.0
100	985686	985686	985686	264.0	7	257.0
101	998592	998592	998592	254.0	7	247.0
102	147275	147275	147275	195.0	7	188.0
103	147753	147753	147753	132.0	7	125.0
104	258889	258889	258889	155.0	7	148.0



$\sqrt{Rz 25}$ ($\sqrt{Rz 100}$ $\sqrt{R_{max}}$ (a) \sqrt{Ra} (b) \sqrt{Rz} (b)) $\downarrow +0,2$ $\downarrow -0,2$

sheet 4
of 4

AIAG CQI-standards acc. to STAB-Spec. 10027692				Environmental protection acc. to STAB-Spec. 10005649			
DE: X	EN: X	ES:	IT:	PR:	FR:	RO: X	
CAD created document handwritten changes not permitted				Material: *			
new Ø8 b no technical change, no new first sample required				ZS CN / ZS RO no technical change, no new first sample required			
old Ø8 a				-			
Field C/3				B/5			
Date/Name 11.11.2021 Hein				10.03.2022 Hein			
Chg. No. 703194				707979			
Rev. 9				9			
STABILUS				PISTON ROD			
All dimensions are in mm				Marking of special characteristics according to STAB-Spec. 10270932			
Scale: (Original DIN A3) 2:1				Dimensions without tolerances DIN ISO 2768-mK			
We reserve all rights to this document, to any patents or patent registrations related hereto, and to the duplication, retransmission by third parties and misc. use. Any use of this document is not permitted without the written consent of STABILUS.				Date 14.01.2008 Name Höfer			
				Checked 11.03.2022 Klinkner			
				Document No.: 10151863			
				Material No.:			