

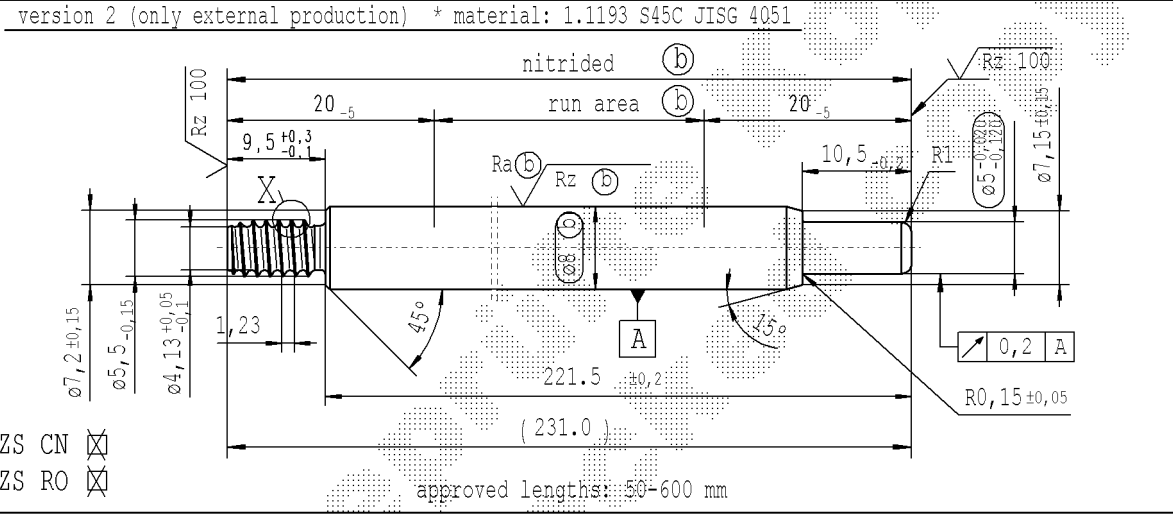
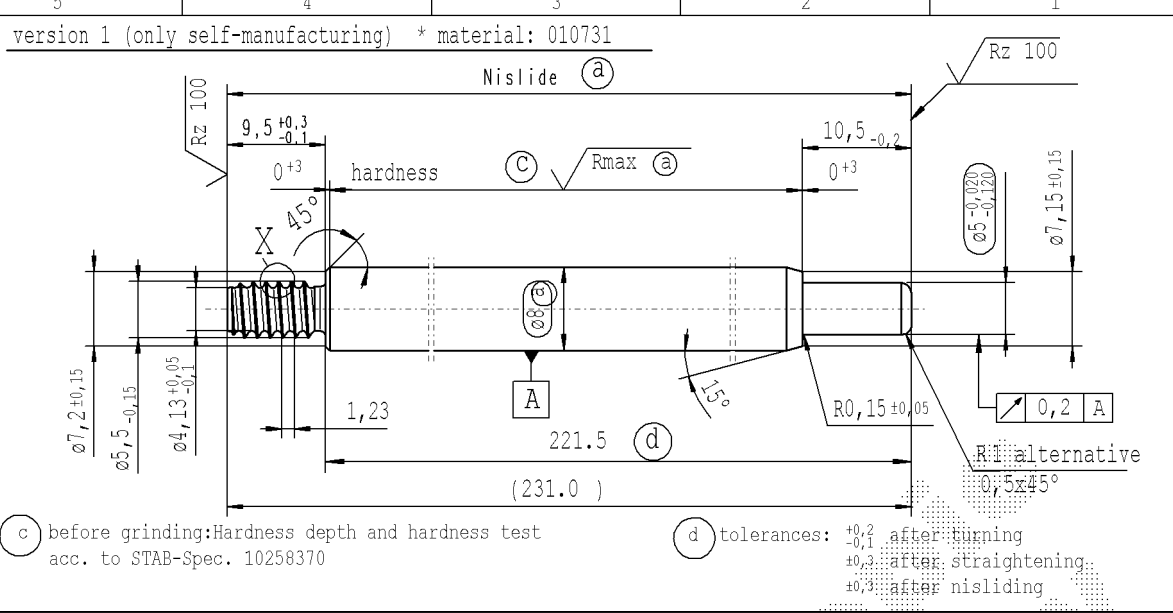
The print-out is not subject to the modification service.

Intended for internal and supplier use

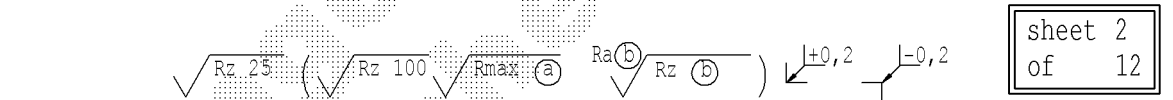
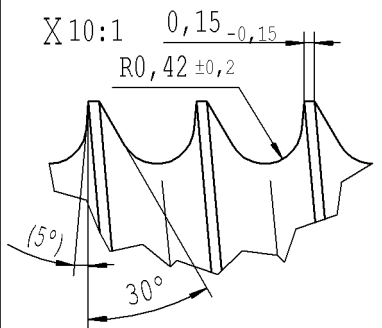
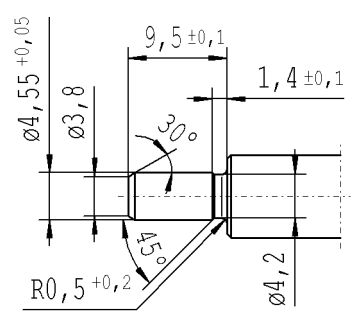
Erzteilenummer: 22/2/2022 - 11:21

Ident. Doc.:

supp No.	material no.			A	E
	10006248 Tab. XVI optimized version 1	10006248 Tab. X version 1	10028959 Tab. I version 2		
				overall length	length without endfitting stud
22	005833	005833	005833	113.0	103.5
24	006562	006562	006562	256.5	247.0
25	006568	006568	006568	207.0	197.5
26	1581VJ	1581VJ	1581VJ	270.0	260.5
29	1622VG	1622VG	1622VG	294.0	284.5
30	8489YQ	8489YQ	8489YQ	163.5	154.0
32	016537	016537	016537	118.5	109.0
33	022626	022626	022626	273.5	264.0
35	027502	027502	027502	203.5	194.0
36	026394	026394	026394	297.0	287.5
37	032580	032580	032580	260.5	251.0
38	054876	054876	054876	231.0	221.5
39	035222	035222	035222	216.0	206.5
40	957707	957707	957707	264.0	254.5
41	152006	152006	152006	161.0	151.5
42	208888	208888	208888	354.0	344.5
43	439286	439286	439286	229.0	219.5
44	440003	440003	440003	240.0	230.5
45	440242	440242	440242	217.0	207.5



pre-worked: (only self-manufacturing)



sheet 2 of 12

AIAG CQI-standards acc. to STAB-Spec. 10027692				Environmental protection acc. to STAB-Spec. 10005649					
DE: X	EN: X	ES:	IT:	PR: X	FR:	RO: X			
new Tab XVI no technical change, no new first sample required				ZS CN / ZS RO no technical change, no new first sample required					
old Tab IV									
Field F 8				B/5					
Date/Name 12.08.2021 Donat				10.03.2022 Hein					
Chg. No. 699704				707979					
Rev. 14				14					
Material: *				All dimensions are in mm					
Edge tolerances acc. to DIN ISO 13715				Scale: (Original DIN A3) 2:1					
Surface finish acc. to DIN EN ISO 1302				Marking of special characteristics according to STAB-Spec. 10270932					
Regulations:				Dimensions without tolerances DIN ISO 2768-mK					
<b>STABILUS</b>				<b>PISTON ROD</b>				Drawn by 05.12.2007 Höfer Checked 11.03.2022 Klinkner	
								Document No.: 10151066 Material No.:	