

The print-out is not subject to the modification service.

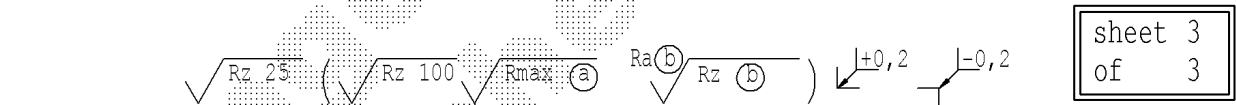
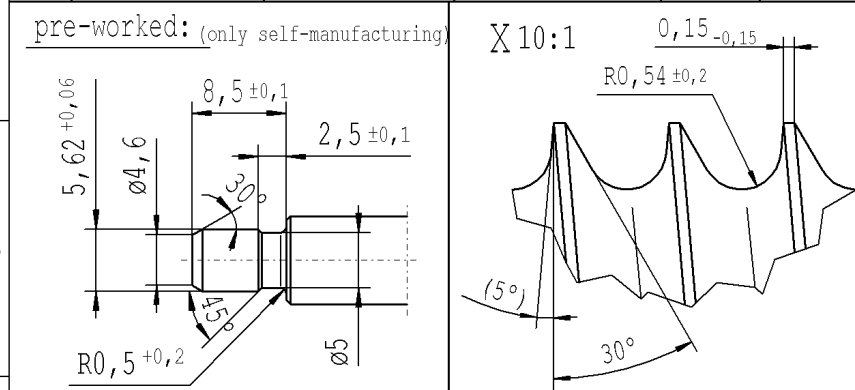
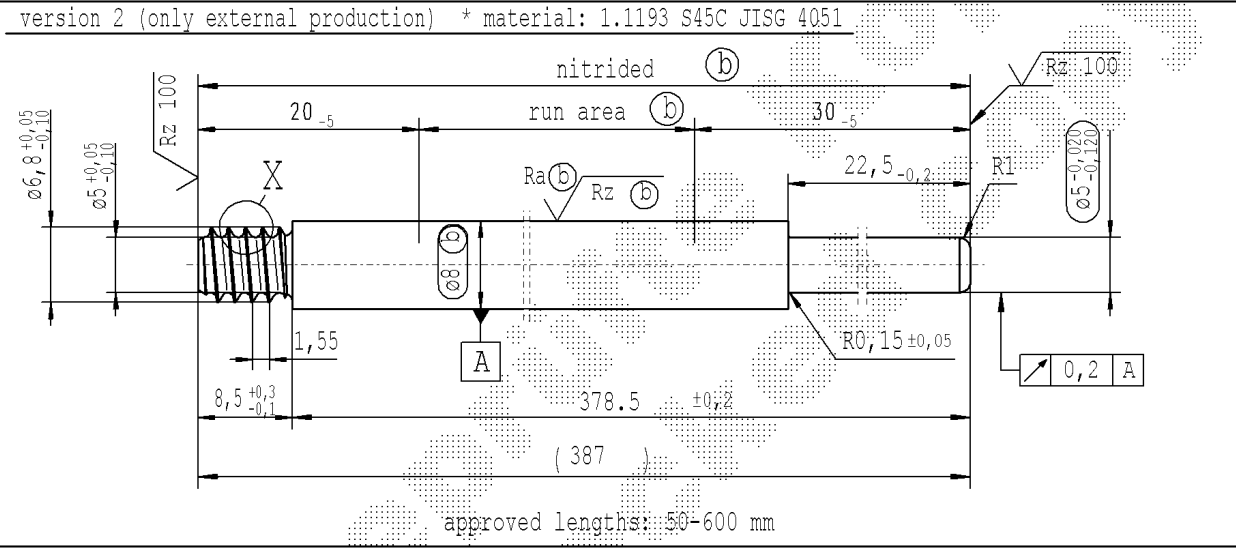
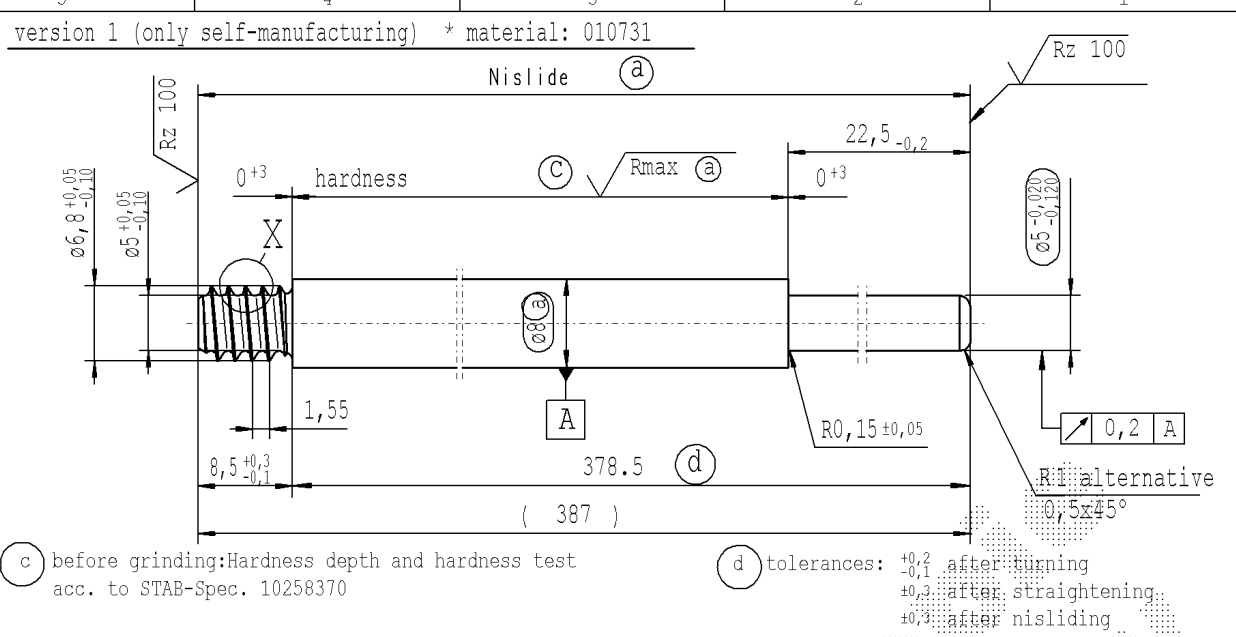
Intended for internal and supplier use

EN

Ident. Doc.:

Date: 17/12/2021 - 8:41

supp No.	material no.			A	E
	processing and surface treatment acc. to STAB-Spec.			overall length	length without endfitting stud
	10006248 Tab. XVI optimized version 1	10006248 Tab. X version 1	10028959 Tab. I version 2		
42	731629	731629	731629	174	165.5
43	733541	733541	733541	222	213.5
44	735453	735453	735453	144	135.5
45	106406	106406	106406	360	351.5
46	110947	110947	110947	375	366.5
47	122658	122658	122658	387	378.5
48	150143	150143	150143	165	156.5
49	324852	324852	324852	339	330.5



DE: X	EN: X	ES:	IT:	PR:	FR:	RO: X	CAD created document handwritten changes not permitted	Material: *	All dimensions are in mm	Marking of special characteristics according to STAB-Spec. 10270932	Date: 29.04.2008	Name: Hein
new	Tab XVI no technical change, no new first sample required						no technical change, no new first sample required		Scale: (Original DIN A3) 2:1	Dimensions without tolerances DIN ISO 2768-mK	Checked: 14.09.2021	Milles
old	Tab IV						Tab XVI	Edge tolerances acc. to DIN ISO 13715				
Field	F 8						F 7	Surface finish: DIN EN ISO 1302				
Date/Name	12.08.2021 Donat						14.09.2021 Donat	Replaces:				
Chg. No.	699704						700848					
Rev.	7						7					

sheet 3 of 3

STABILUS

PISTON ROD

Document No.: 10154879