

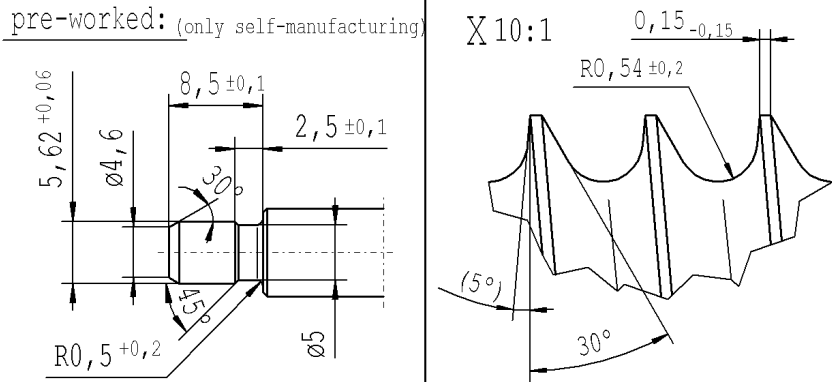
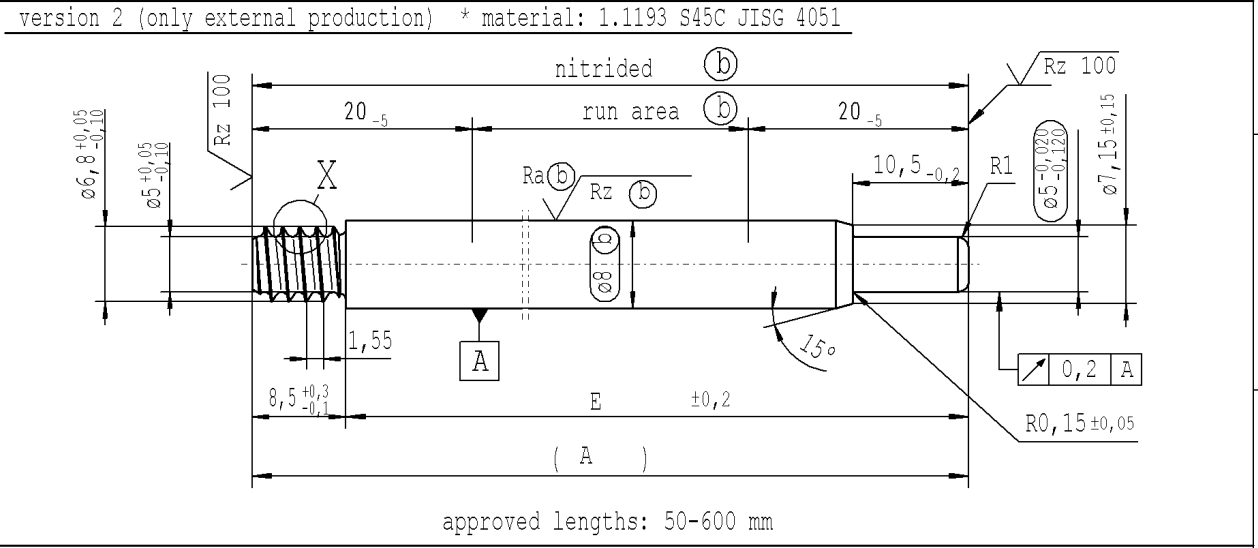
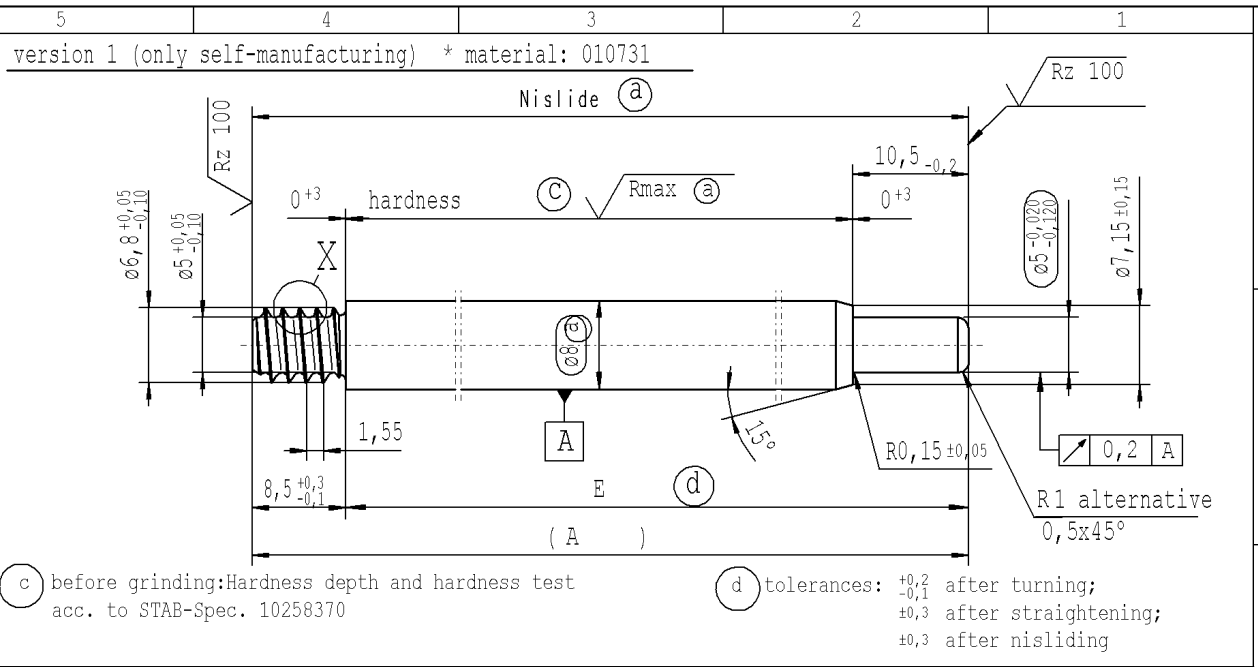
The print-out is not subject to the modification service.

Intended for internal and supplier use

EN

Ident. Doc.:

supp No.	material no.			A	E
	processing and surface treatment acc. to STAB-Spec. 10006248 Tab. XVI optimized version 1	10006248 Tab. X version 1	10028959 Tab. I version 2	overall length	length without unfitting stud
309	773453	773453	773453	117.0	108.5
310	787315	787315	787315	396.0	387.5
311	789944	789944	789944	328.5	320.0
312	790422	790422	790422	453.0	444.5
313	790900	790900	790900	345.0	336.5
314	792095	792095	792095	93.0	84.5
315	795202	795202	795202	305.5	297.0
316	798309	798309	798309	354.0	345.5
317	800460	800460	800460	378.0	369.5
318	802133	802133	802133	337.5	329.0
319	802850	802850	802850	395.5	387.0
320	804284	804284	804284	504.0	495.5
321	819102	819102	819102	347.5	339.0
322	819819	819819	819819	326.0	317.5
323	820297	820297	820297	336.0	327.5
324	821731	821731	821731	308.0	299.5
325	840851	840851	840851	110.0	101.5
326	848977	848977	848977	360.0	351.5
327	860927	860927	860927	411.0	402.5



$\sqrt{Rz 25}$ ($\sqrt{Rz 100}$ \sqrt{Rmax} (a) Ra (b) Rz (b)) ± 0.2 -0.2

sheet 15 of 16

AIAG CQI-standards acc. to STAB-Spec. 10027692				Environmental protection acc. to STAB-Spec. 10005649								
DE: X	EN: X	ES:	IT:	PR: X	FR:	RO: X	CAD created document; handwritten changes not permitted	Material: *	All dimensions are in mm	Marking of special characteristics according to STAB-Spec. 10270932	Date	Name
new	(5°); no technical change, no new first sample required			Tab XVI; no technical change, no new first sample required					Scale: (Original DIN A3) 2:1	Dimensions without tolerances DIN ISO 2768-mK	Drawn by	Höfer
old	5°			Tab IV;							Checked	Milles
Field	B/6-7			F 8								
Date/Name	31.03.2021 Hein			12.08.2021 Donat								Document No.:
Chg. No.	696924			699704								10151065
Rev.	21			21								Material No.:
STABILUS								PISTON ROD				