

The print-out is not subject to the modification service.

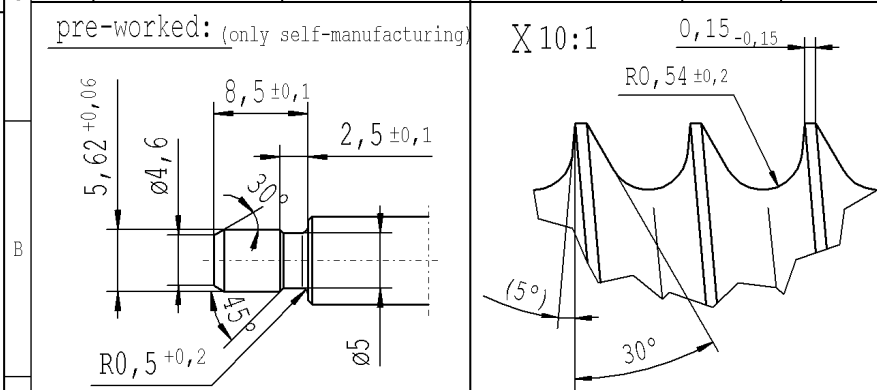
Intended for internal and supplier use

EN

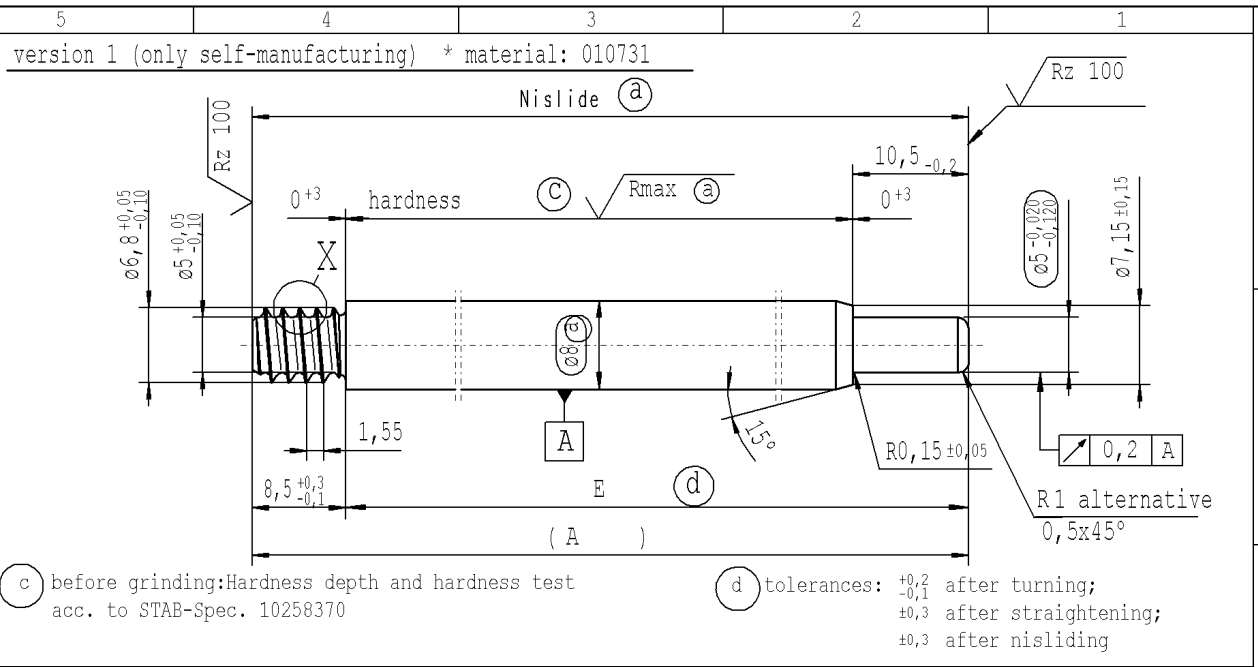
Brevet.datum: 14/09/2021 - 12:16

Ident. Doc.:

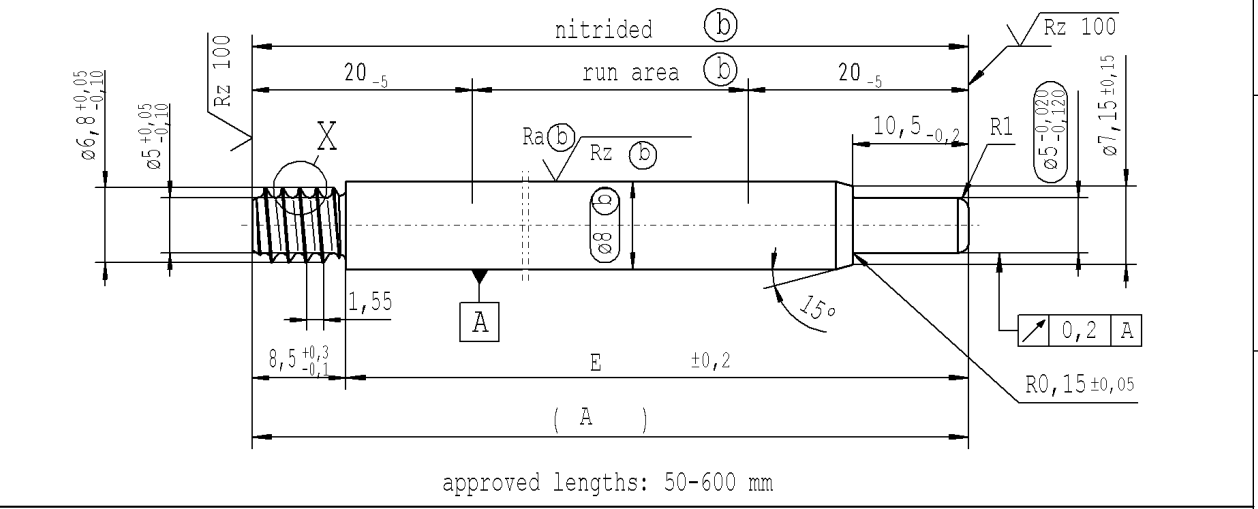
supp No.	material no.			A	E
	10006248 Tab. XVI optimized version 1	10006248 Tab. X version 1	10028959 Tab. I version 2	overall length	length without endfitting stud
129	206020	206020	206020	423.0	414.5
130	573363	573363	573363	209.0	200.5
131		787746	787746	345.0	336.5
132	277961	277961	277961	316.5	308.0
133	328390	328390	328390	228.0	219.5
134	332214	332214	332214	130.5	122.0
135	436896	436896	436896	289.0	280.5
136	439047	439047	439047	278.5	270.0
137	439764	439764	439764	154.0	145.5
138	440720	440720	440720	341.5	333.0
139	440959	440959	440959	283.5	275.0
140	441198	441198	441198	257.0	248.5
141	441676	441676	441676	214.0	205.5
142	442154	442154	442154	312.0	303.5
143	442393	442393	442393	265.0	256.5
144	118072	118072	118072	153.5	145.0
145	663230	663230	663230	298.5	290.0
146	713181	713181	713181	126.0	117.5
147	751899	751899	751899	308.0	299.5



AIAG CQI-standards acc. to STAB-Spec. 10027692



version 2 (only external production) * material: 1.1193 S45C JISG 4051



$\sqrt{Rz\ 25}$ ($\sqrt{Rz\ 100}$ $\sqrt{Rmax\ (a)}$ $Ra\ (b)$ $Rz\ (b)$) $\pm 0,2$ $-0,2$

sheet 7 of 15

DE: X	EN: X	ES:	IT:	PR: X	FR:	RO: X	CAD created document; handwritten changes not permitted	Material: *	All dimensions are in mm	Marking of special characteristics according to STAB-Spec. 10270932	Date	Name
new	(5°); no technical change, no new first sample required						Tab XVI; no technical change, no new first sample required		Scale: (Original DIN A3) 2:1	Dimensions without tolerances DIN ISO 2768-mK	Drawn by	Höfer
old				5°			Tab IV;	Edge tolerances acc. to DIN ISO 13715			Checked	Milles
Field				B/6-7			F 8	Surface finish DIN EN ISO 1302	We reserve all rights to this document, to any patents or patent registrations related hereto, and to the duplication, retransmission by third parties and misc. use. Any use of this document is not permitted without the written consent of STABILUS.			Document No.:
Date/Name				31.03.2021 Hein			12.08.2021 Donat	Replaces:				10151065
Chg. No.				696924			699704					Material No.:
Rev.				21			21	STABILUS	PISTON ROD			