

The print-out is not subject to the modification service.

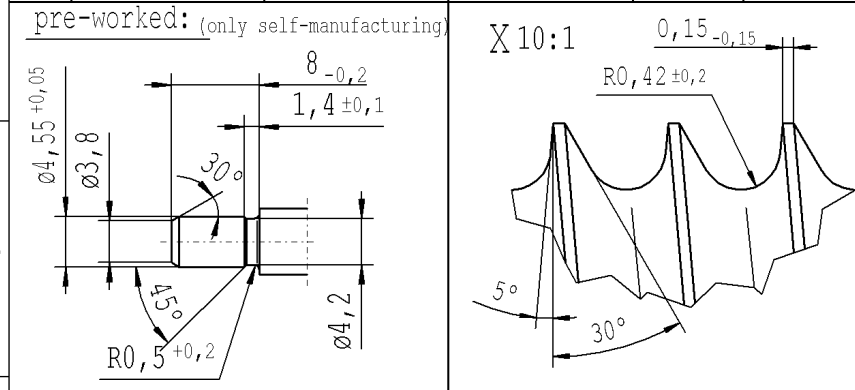
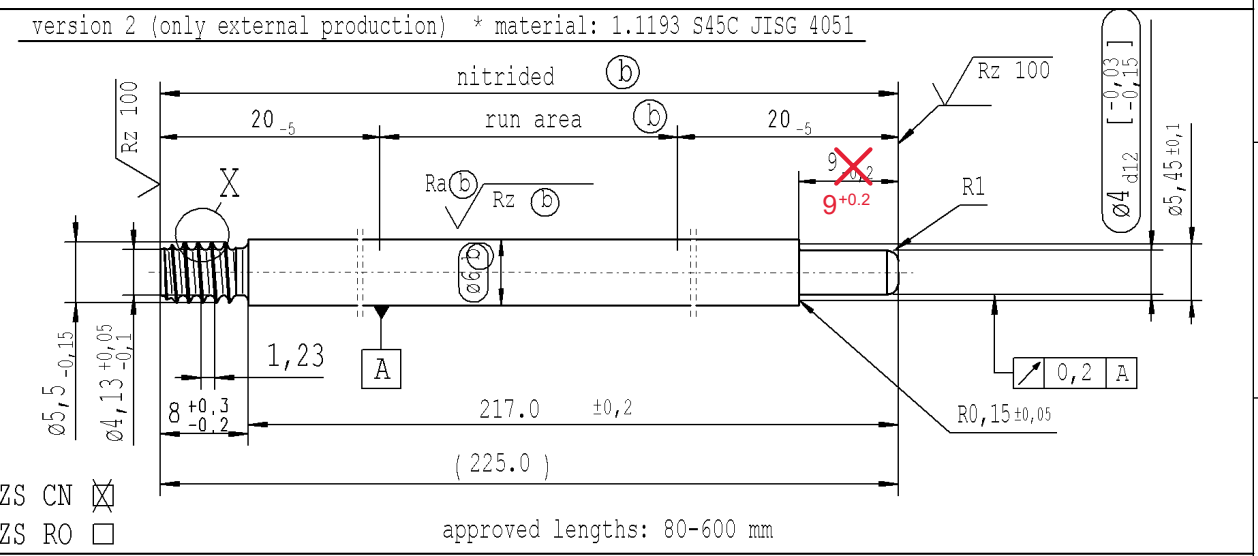
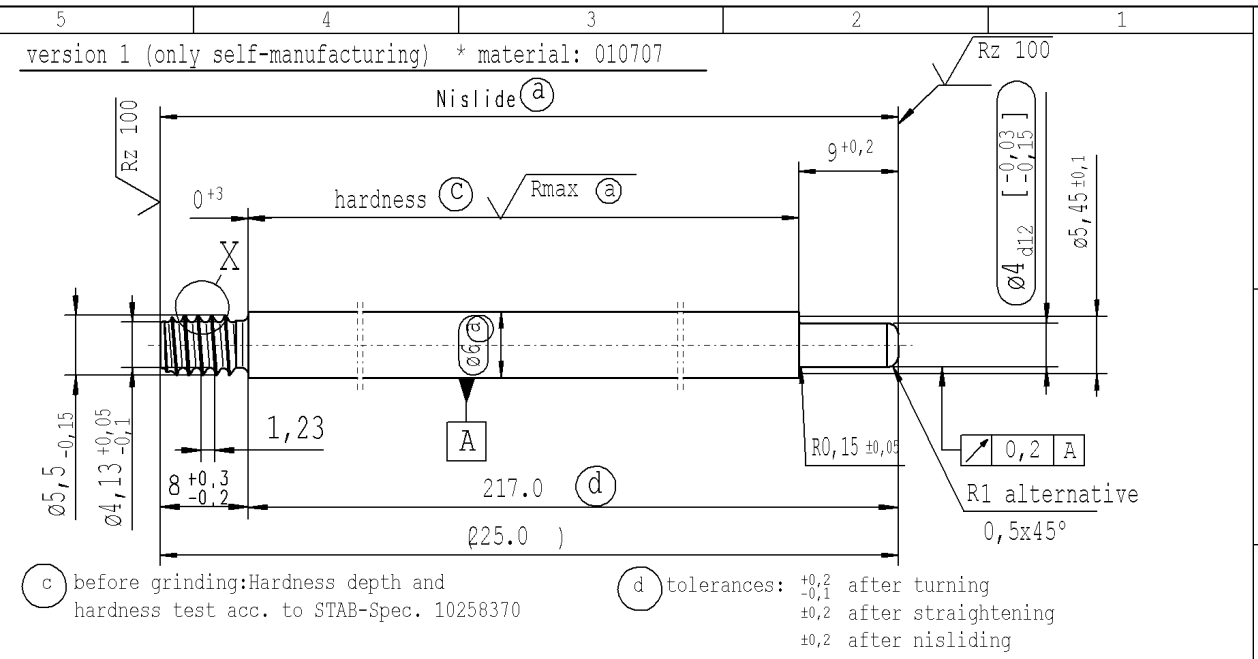
Intended for internal and supplier use

EN

Brevell.datum: 24/11/2022 - 7:16

Ident. Doc.:

supp No.	material no.			A	E
	processing and surface treatment acc. to STAB-Spec.			overall length	length without endfitting stud
	10006248 Tab. XVI optimized	10006248 Tab. X	10028959 Tab. I		
	(a) version 1	(a) version 1	(b) version 2		
1	445739	445739	445739	243.0	235.0
2	248341	248341	248341	207.0	199.0
3	349199	349199	349199	171.0	163.0
5	375495	375495	375495	216.0	208.0
6	789920	789920	789920	177.0	169.0
7	903447	903447	903447	119.0	111.0
8	398684	398684	398684	204.0	196.0
9	978737	978737	978737	168.0	160.0
10	952212	952212	952212	213.0	205.0
11	632670	632670	632670	225.0	217.0
12	351851	351851	351851	203.0	195.0
13	265097	265097	265097	186.0	178.0
14	518917	518917	518917	192.0	184.0
15	983061	983061	983061	159.0	151.0
16	331548	331548	331548	120.0	112.0
17	332265	332265	332265	123.0	115.0
18	404682	404682	404682	99.0	91.0
19	406116	406116	406116	249.0	241.0
20	415915	415915	415915	246.0	238.0



sheet 1 of 3

AIAG CQI-standards acc. to STAB-Spec. 10027692										Environmental protection acc. to STAB-Spec. 10005649						
DE: X	EN: X	ES:	IT:	PR:	FR:	RO: X	CAD created document handwritten changes not permitted			Material: *	All dimensions are in mm			Marking of special characteristics according to STAB-Spec. 10270932		
new	ZS CN / ZS RO Tab. X no technical change, no new first sample required						Tab.XVI Tab. X no technical change, no new first sample required			Edge tolerances acc. to DIN ISO 13715	Scale: (Original DIN A3) 2:1			Dimensions without tolerances DIN ISO 2768-mK		
old	-						Tab.IV			Surface finish DIN EN ISO 1302	We reserve all rights to this document, to any patents or patent registrations related hereto, and to the duplication, retransmission by third parties and misc. use. Any use of this document is not permitted without the written consent of STABILUS.			Document No.: 10177465		
Field	B/5						-			Replaces:	PISTON ROD			Material No.:		
Date/Name	16.09.2022 Hein						10.10.2022 Jablonski			STABILUS						
Chg. No.	715061						715932									
Rev.	6						6									