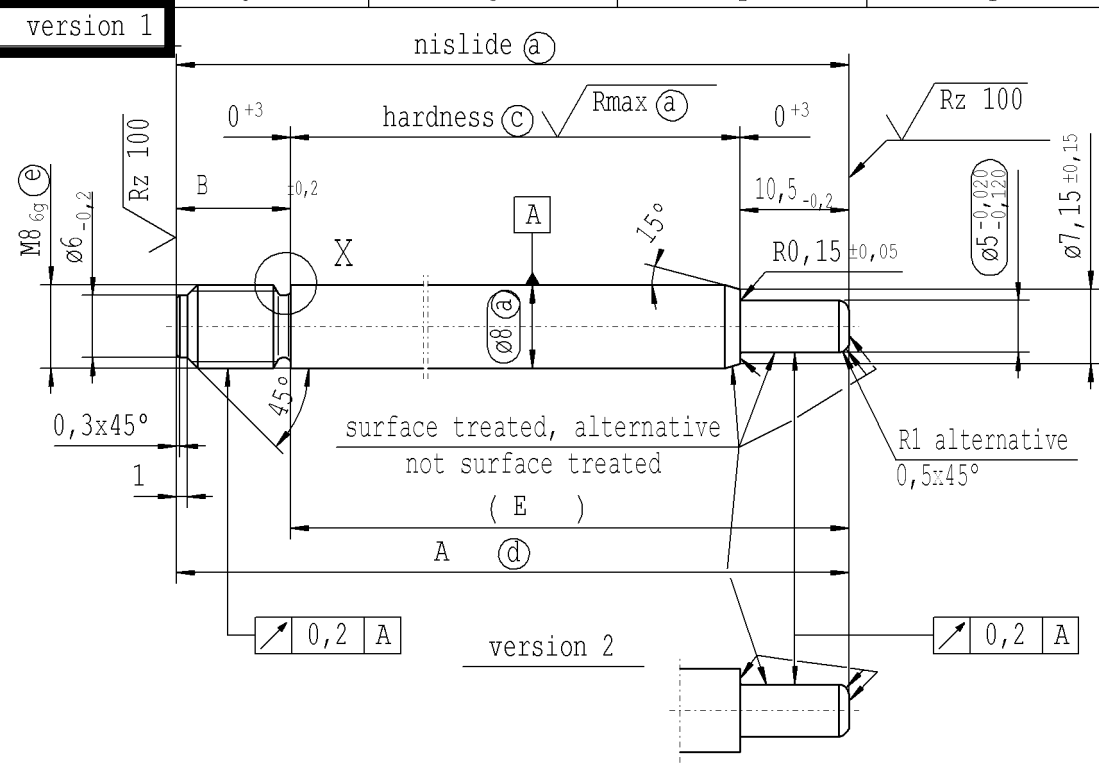


CONFIDENTIAL!
Intended for internal use only

supp No.	material no.			A	B	E	F
	surface treatment processing acc. STAB-Spec.			overall length	stud length end-fitting side	length without end-fitting stud	version
	10006248 Tab. IV	10006248 Tab. X	10028959 Tab. I China pay part				
19	846100	846100	846100	237.0	9	228.0	1
20	199128	199128	199128	279.0	10	269.0	1
21	255054	255054	255054	303.0	9	294.0	1
xxx	xxxxxxx	xxxxxxx	xxxxxxx	306	10	296	1

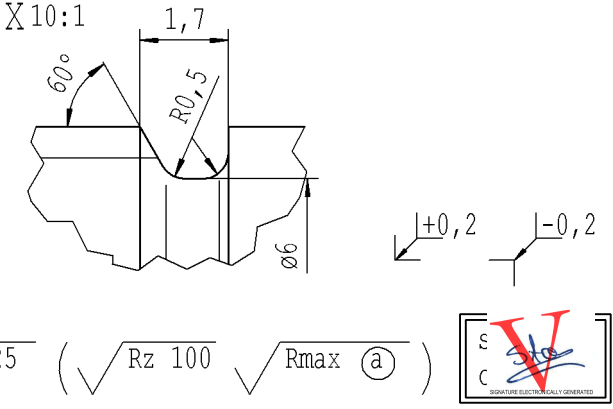


Production Stabilus

- (a) piston rod processing acc. to STAB-Spec. 10006248
- (c) before grinding:
Hardness depth and hardness test acc. to STAB-Spec. 10258370
- (d) tolerances: $+0,2$ after turning;
 $-0,1$ after straightening;
 $+0,3$ after nisliding
- (e) threaded stud pre-turned dimension $\varnothing 7,14_{-0,06}$
thread roll tolerance 6e

for pay part China product family: 2008/0034 approved lengths: 100-600 mm

Pay part China acc separate Supplier-drawing



Environmental protection acc. to STAB-Spec. 10005649

DE: X	EN: X	ES:	IT:	PR:	FR:	RO:	CAD created document; handwritten changes not permitted		Material: mat.no. 010731	All dimensions are in mm	Identification of important characteristics	Drawn by: Höfer	Date: 17.01.2008	Name: Höfer
new	R1 alternative 0,5x45°	column Tab.X	column B	approved lengths: 100-600mm	© = acc. STAB-Spec. 10258370				Edge tolerances acc. to DIN ISO 13715	Scale: (Original DIN A3) 2:1	Dimensions without tolerances DIN ISO 2768 mK	Checked: 15.05.2019	Milles	
old	0,5x45°	-	-	approved lengths: 100-400mm	© = RHT 0,4 ... 0,7 mm				Surface finish DIN EN ISO 1302	We reserve all rights to this document, to any patents or patent registrations related hereto, and to the duplication, retransmission by third parties and misc. use. Any use of this document is not permitted without the written consent of STABILUS.				
Field	E/1	A-F/7-8	A-F/6	B/6	B 7-8				Replaces:	Document No.: 10152007				
Date/Name	30.04.2009 Hein	30.07.2010 Höfer	10.03.2015 Höfer	24.11.2015 Hein	15.05.2019 Donat					Material No.:				
Chg. No.	572540	581955	622053	630576	678703					Material No.:				
Rev.	2	3	4	5	6				STABILUS	PISTON ROD				