

The print-out is not subject to the modification service.

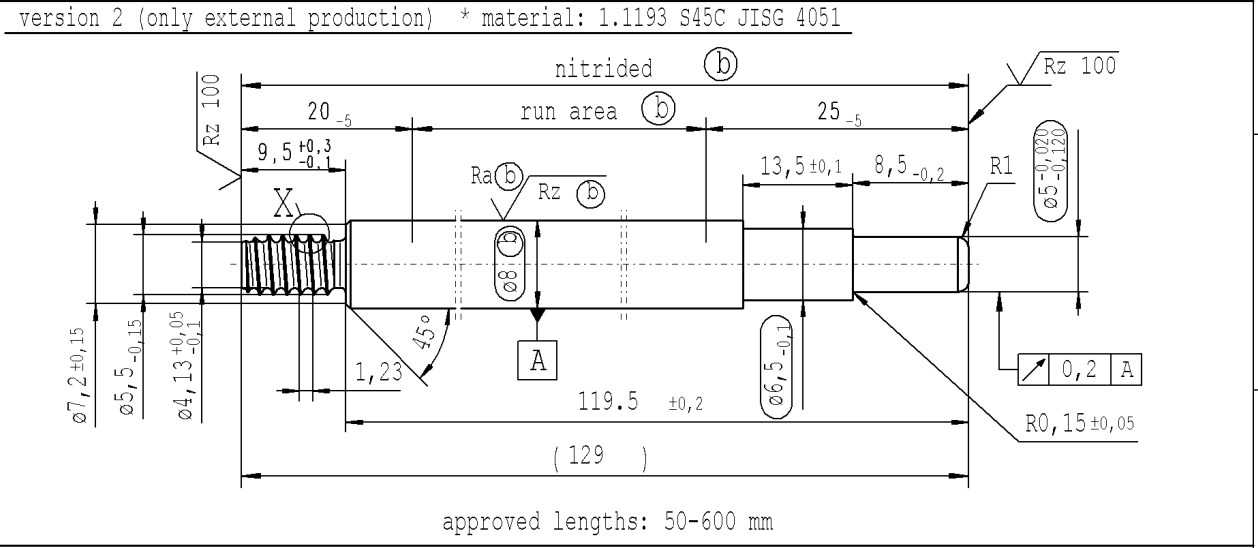
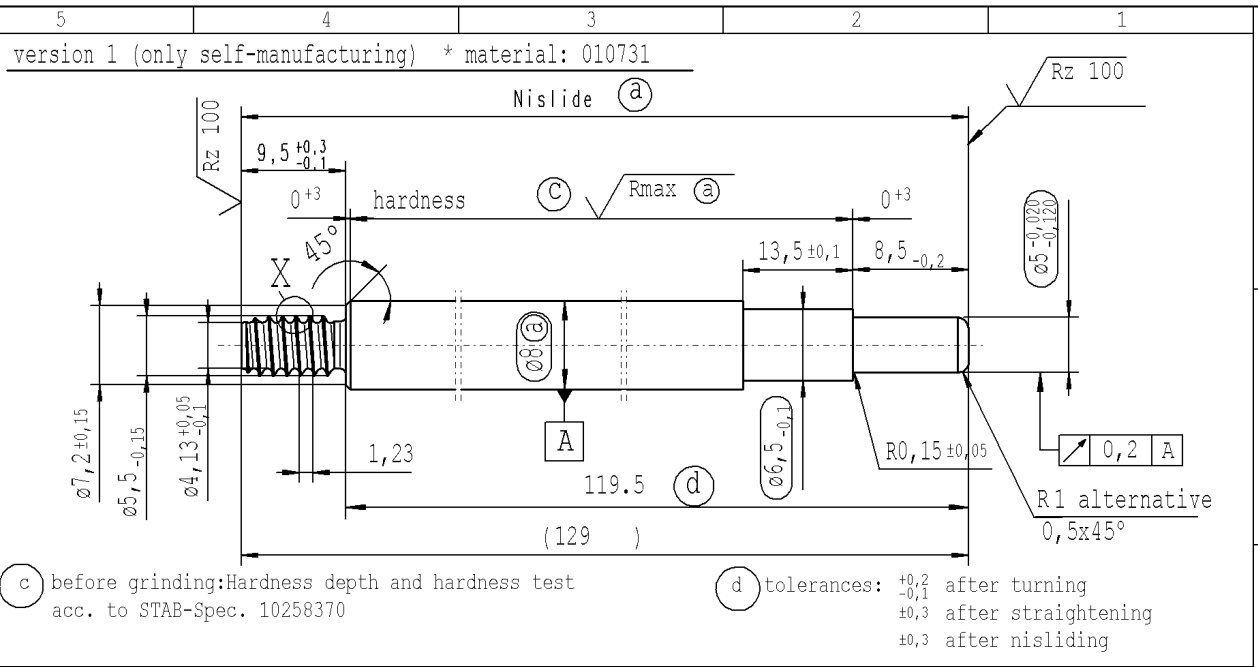
Intended for internal and supplier use

EN

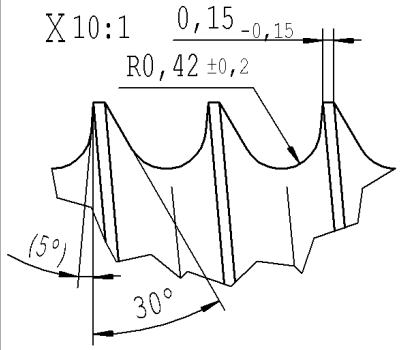
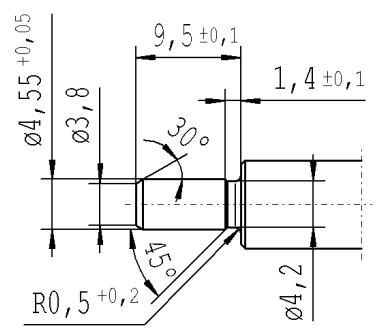
Brevet.datum: 2/12/2022 - 0:57

Ident. Doc.:

supp No.	material no.			A	E
	10006248 Tab. XVI optimized version 1	10006248 Tab. X version 1	10028959 Tab. I version 2	overall length	length without endfitting stud
1	478528	478528	478528	222	212.5
2	611653	611653	611653	189	179.5
3	676422	676422	676422	195	185.5
4	877660	877660	877660	129	119.5



pre-worked: (only self-manufacturing)



AIAG CQI-standards acc. to STAB-Spec. 10027692										Environmental protection acc. to STAB-Spec. 10005649						
DE: X	EN: X	ES:	IT:	PR:	FR:	RO: X	CAD created document handwritten changes not permitted			Material: *	All dimensions are in mm		Marking of special characteristics according to STAB-Spec. 10270932		Date	Name
new	Initial Release										Scale: (Original DIN A3) 2:1	Dimensions without tolerances DIN ISO 2768-mK		Drawn by	Hein	
old	-												Checked	25.10.2021	Klinkner	
Field	-												Document No.:		10299020	
Date/Name	21.10.2021 Hein												Material No.:			
Chg. No.	-															
Rev.	0															
										STABILUS		PISTON ROD				

sheet 1 of 1