

The print-out is not subject to the modification service.

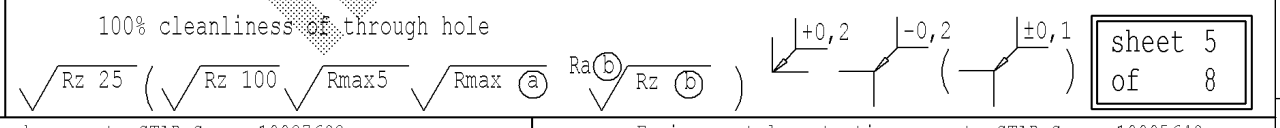
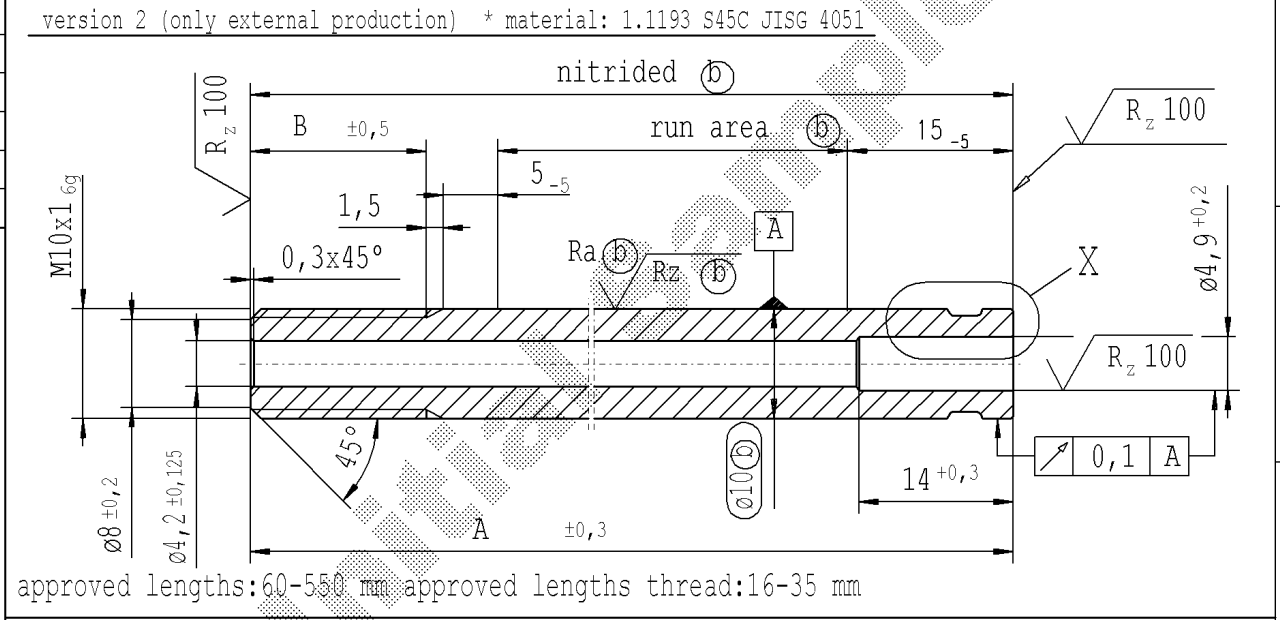
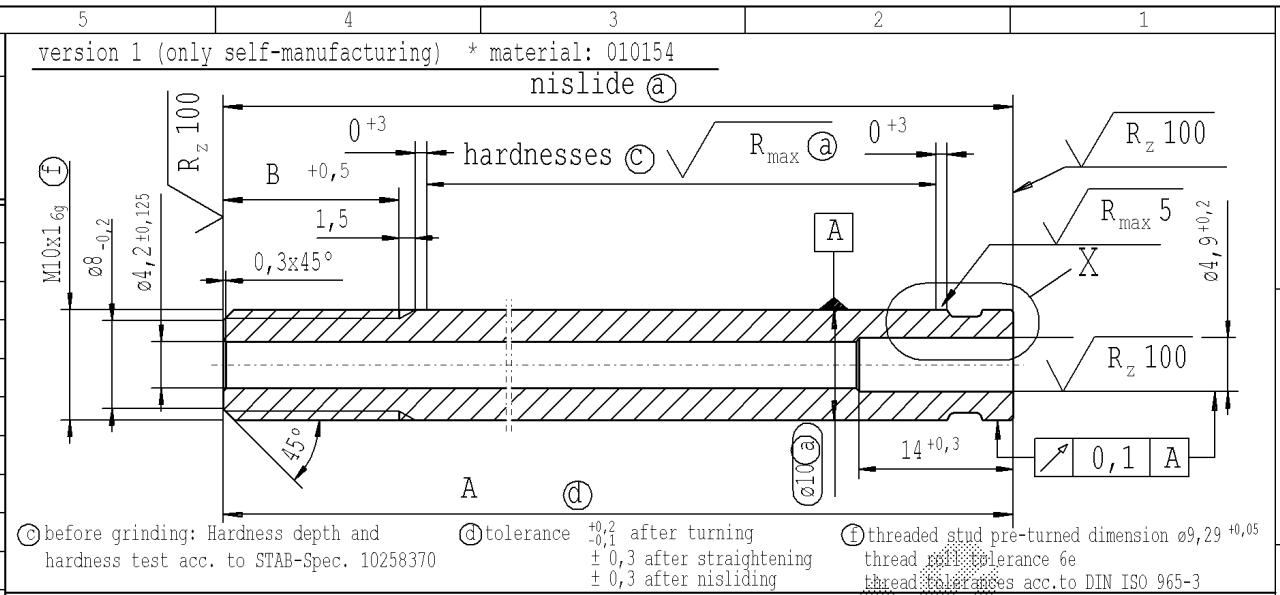
Intended for internal and supplier use

EN

Ident. Doc.:

Date/Name

supp No.	material no.			A	B
	processing and surface treatment acc. to STAB-Spec.: 10006248 Tab. IV (a) version 1	10006248 Tab. X (a) version 1	10028959 Tab. I (b) version 2	overall length	stud length end-fitting side
65	274182	274182		347.5	16
66	274660	274660		356.5	18
67	275377	275377		360.5	18
68	275855	275855		377.5	20
69	279201	279201		362.5	20
70	280157	280157		383.5	20
71	280635	280635		431.5	16
72	281113	281113		377.5	32
73	282069	282069		335.5	18
74	282786	282786		362.5	16
75	283264	283264		329.5	20
76	283742	283742		371.5	16
77	286849	286849		500.5	20
78	287327	287327		503.5	18
79	287805	287805		449.5	16
80	288283	288283		494.5	16



AIAG CQI-standards acc. to STAB-Spec. 10027692				Environmental protection acc. to STAB-Spec. 10005649			
DE: X	EN: X	ES:	IT:	PR:	FR:	RO: X	
new	thread roll tolerance 6e	⊙ = acc. STAB-Spec. 10258370		new format Internal/Supplier	B ±0,5		
old	thread roll tolerance 6g	⊙ = RHT 0,4 ... 0,7 mm		Supplier drawing separately	B ±0,5		
Field	B8		C 7-8		D/4		
Date/Name	16.06.2015 Donat		15.05.2019 Donat		25.06.2021 Jablonski		24.02.2022 Hein
Chg. No.	639400		678703		698250		707230
Rev.	6				8		9