

The print-out is not subject to the modification service.

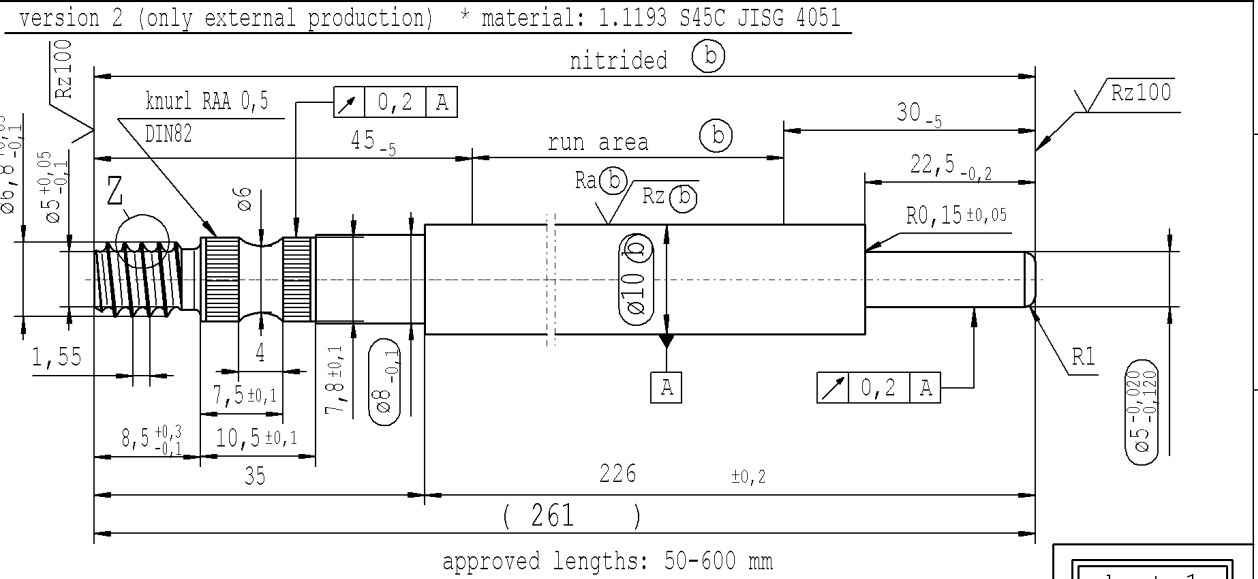
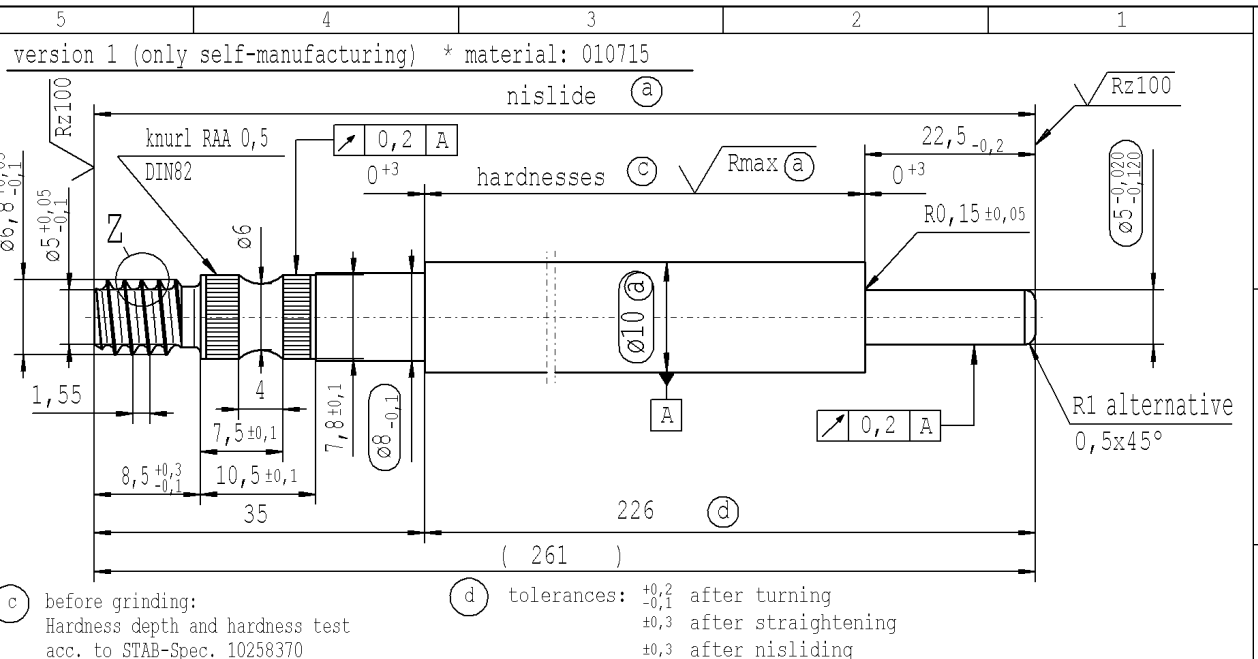
Intended for internal and supplier use

EN

Ident. Doc.:

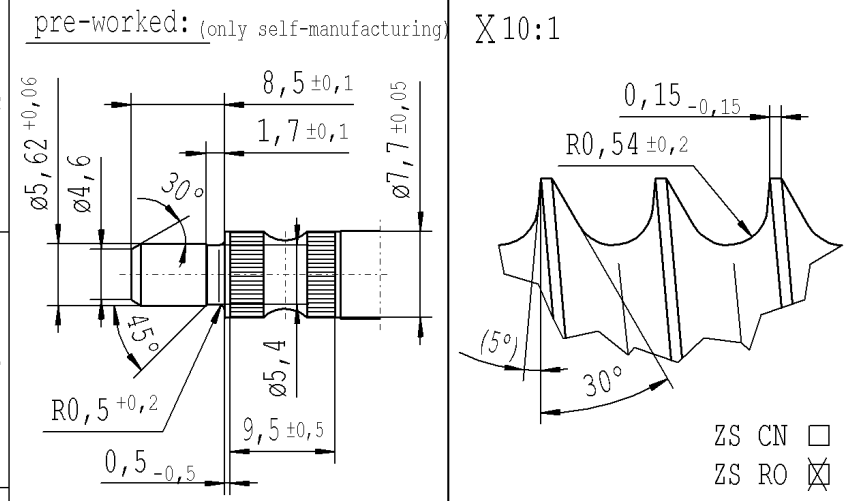
Date/Name: 27.05.2022 Hein

supp No.	material no.			A	E
	processing and surface treatment acc. to STAB-Spec.			overall length	length without endfitting stud
	10006248 Tab. XVI optimized version 1	10006248 Tab. X version 1	10028959 Tab. I version 2		
1	447461		447461	261	226



approved lengths: 50-600 mm

$\sqrt{Rz\ 25}$ ($\sqrt{Rz\ 100}$ $\sqrt{Rmax\ (a)}$ $Ra\ (b)$ $Rz\ (b)$) $\swarrow +0,2$ $\searrow -0,2$



DE: X EN: X ES: IT: PR: FR: RO: X						CAD created document handwritten changes not permitted			Material: *			All dimensions are in mm			Marking of special characteristics according to STAB-Spec. 10270932			Date: 27.05.2022 Name: C.Hein		
new INITIAL RELEASE									Edge tolerances acc. to DIN ISO 13715			Scale: (Original DIN A3) 2:1			Dimensions without tolerances DIN ISO 2768-mK			Checked: 30.05.2022 Klinkner		
old -									Surface finish DIN EN ISO 1302			We reserve all rights to this document, to any patents or patent registrations related hereto, and to the duplication, retransmission by third parties and misc. use. Any use of this document is not permitted without the written consent of STABILUS.			Document No.: 10307830					
Field -									Replaces:			STABILUS			PISTON ROD			Material No.:		
Date/Name: 27.05.2022 Hein																				
Chg. No. -																				
Rev. 0																				