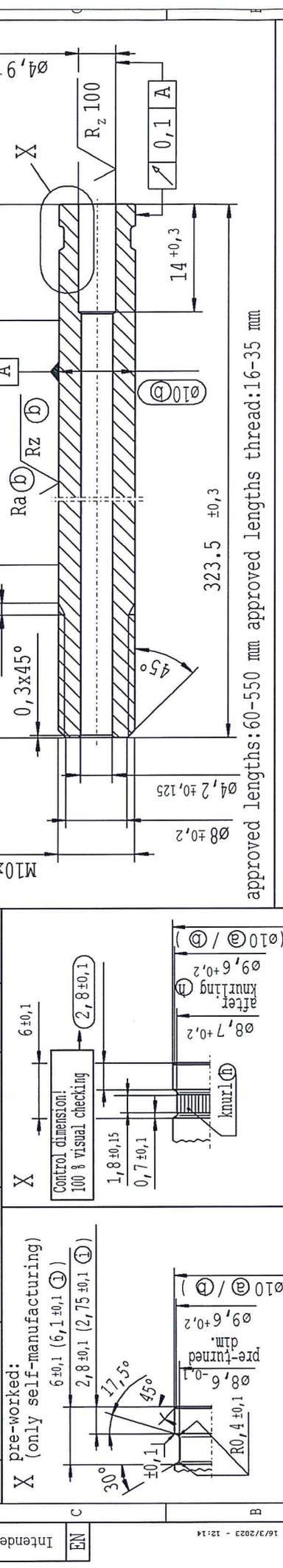
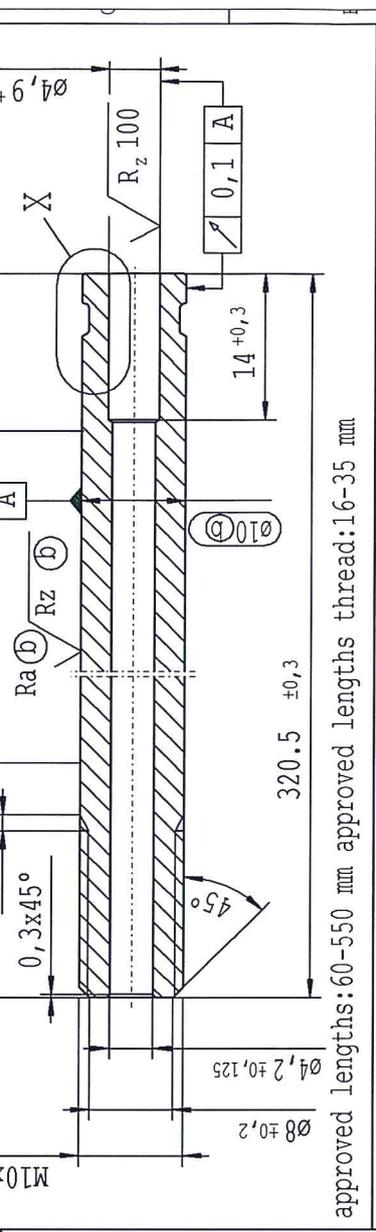
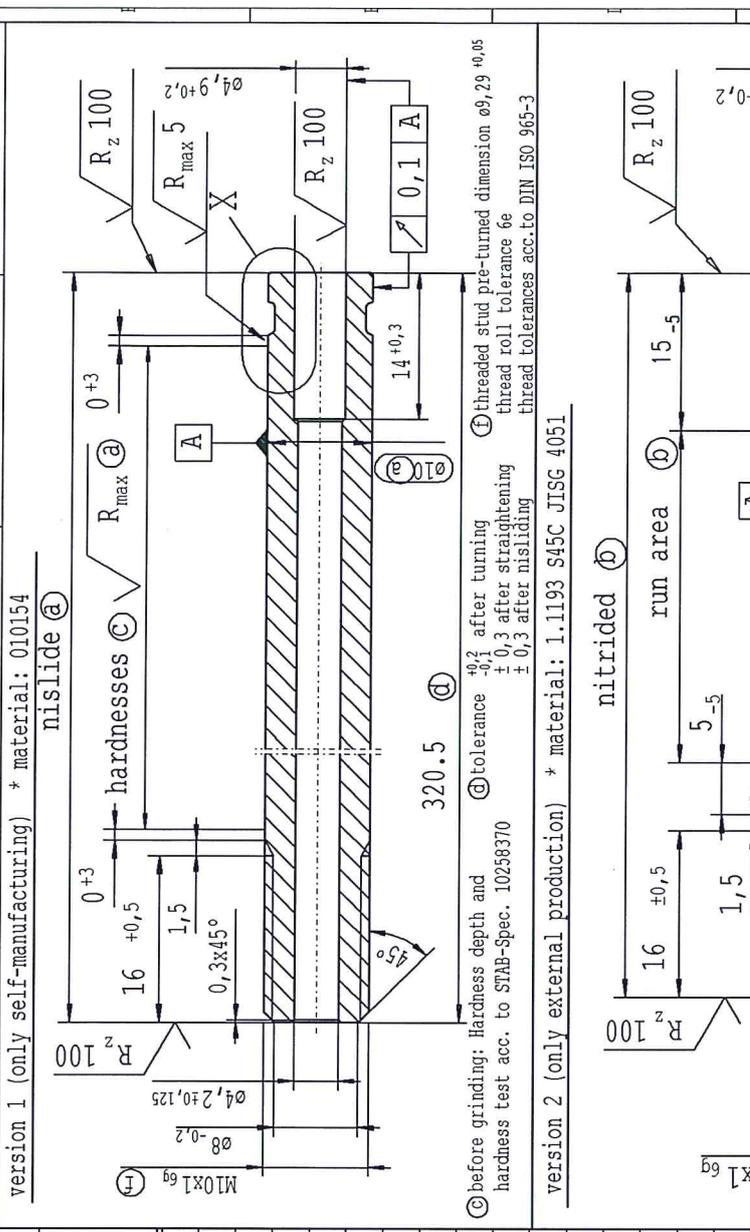


supp No.	material no.	A	B
	processing and surface treatment acc. to STAB-Spec.: 10006248 Tab. IV 100028959 Tab. X	overall length	stud length end-fitting side
	version 1 (a) version 2 (b)		
49	126958	374.5	16
50	127675	407.5	16
51	128870	417.5	16
52	130065	353.5	16
53	261037	320.5	16
54	261754	323.5	18
55	262232	337.0	16
56	262949	410.5	16
57	266534	350.5	16
58	267012	342.5	16
59	267490	398.5	16
60	269402	326.5	16
61	270358	419.5	18
62	270836	362.5	18
63	272031	359.5	18
64	272987	404.5	18

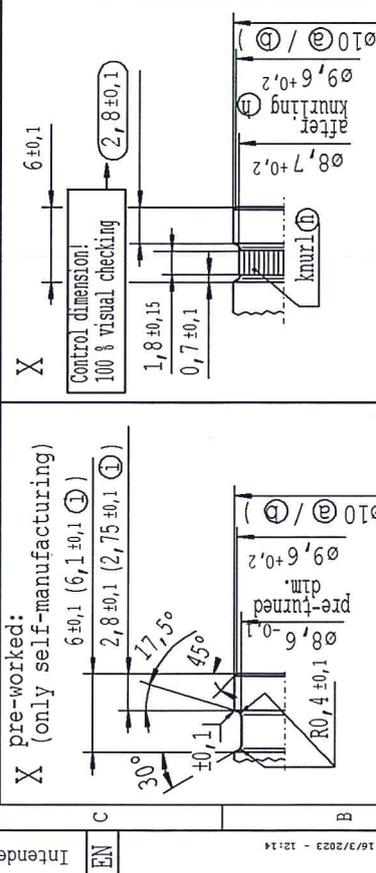


DE: X	EN: X	ES:	IT:	FR:	RO: X	Material:	Material No.:
new	thread roll tolerance 6e					ATAG COI-standards acc. to STAB-Spec. 10027692	10005649
old	thread roll tolerance 6g					Material: * CAD created document handwritten changes not permitted	10005649
Field	BB					new format Internal/Supplier	10005649
Date/Name	16.06.2015 Donat					Supplier drawing separately	10005649
Chg. No.	639400					25.06.2021 Jablonski	10005649
Rev.	6					707230	10005649



DE: X	EN: X	ES:	IT:	PR:	FR:	RO: X	Material: AIAG CQI-standards acc. to STAB-Spec. 10027692
new	thread roll tolerance 6e	Ⓒ = acc. STAB-Spec. 10258370					Material: *
old	thread roll tolerance 6g	Ⓒ = RH 0,4 ... 0,7 mm					All dimensions are in mm
Field	88	C 7-8					Scale: (Original DIN A3) 2:1
Date/Name	16.06.2015 Donat	15.05.2019 Donat					Dimensions without tolerances DIN ISO 2768-mK
Chg. No.	639400	678703					We reserve all rights to this document, to any patents or patent registrations related hereto, and to the duplication, retransmission or distribution of this document if not permitted without the written consent of STABILUS.
Rev.	6	7					Document No.: 10152095
							Material No.: PISTON ROD

supp No.	material no.	A	B
	processing and surface treatment acc. to STAB-Spec.: 10006248 Tab. IV 10028959 Tab. I	overall length	stud length end-fitting side
	version 1 (a) version 2 (b)		
49	126958	374.5	16
50	127675	407.5	16
51	128870	417.5	16
52	130065	353.5	16
53	261037	320.5	16
54	261754	323.5	18
55	262232	337.0	16
56	262949	410.5	16
57	266534	350.5	16
58	267012	342.5	16
59	267490	398.5	16
60	269402	326.5	16
61	270358	419.5	18
62	270836	362.5	18
63	272031	359.5	18
64	272987	404.5	18



DE: X	EN: X	ES:	IT:	PR:	FR:	RO: X	Material: AIAG CQI-standards acc. to STAB-Spec. 10027692
new	thread roll tolerance 6e	Ⓒ = acc. STAB-Spec. 10258370					Material: *
old	thread roll tolerance 6g	Ⓒ = RH 0,4 ... 0,7 mm					All dimensions are in mm
Field	88	C 7-8					Scale: (Original DIN A3) 2:1
Date/Name	16.06.2015 Donat	15.05.2019 Donat					Dimensions without tolerances DIN ISO 2768-mK
Chg. No.	639400	678703					We reserve all rights to this document, to any patents or patent registrations related hereto, and to the duplication, retransmission or distribution of this document if not permitted without the written consent of STABILUS.
Rev.	6	7					Document No.: 10152095
							Material No.: PISTON ROD