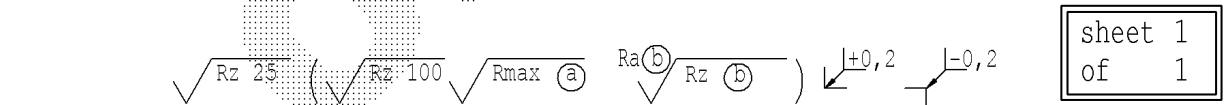
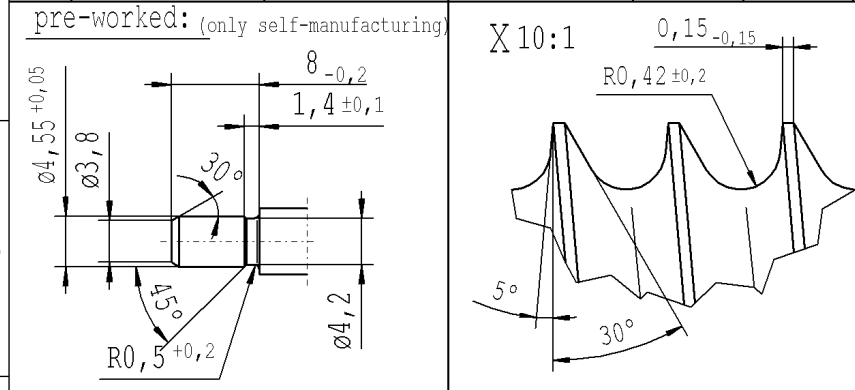
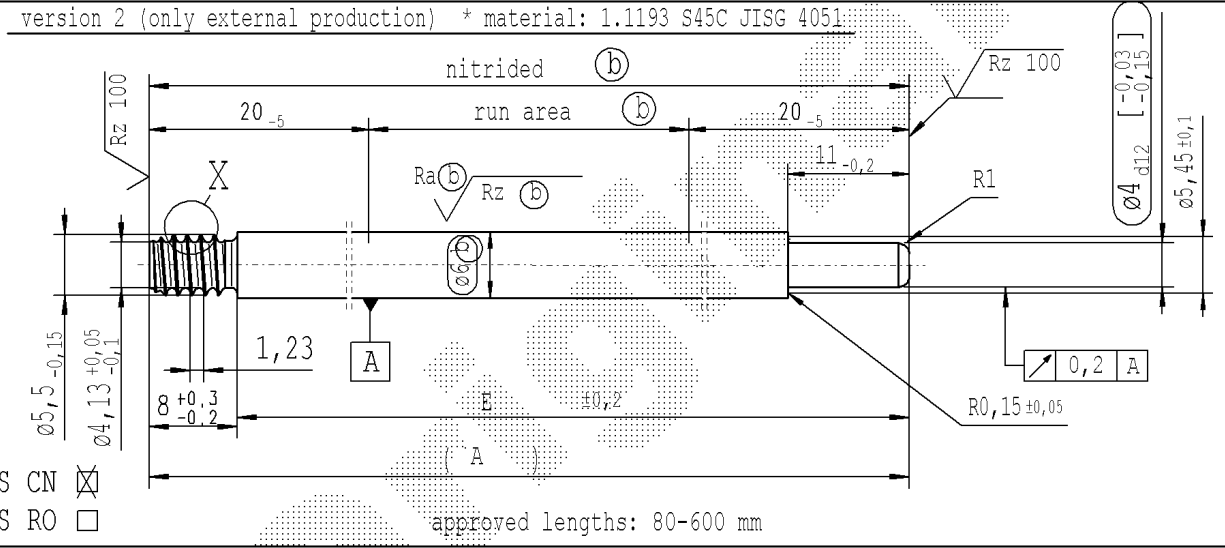
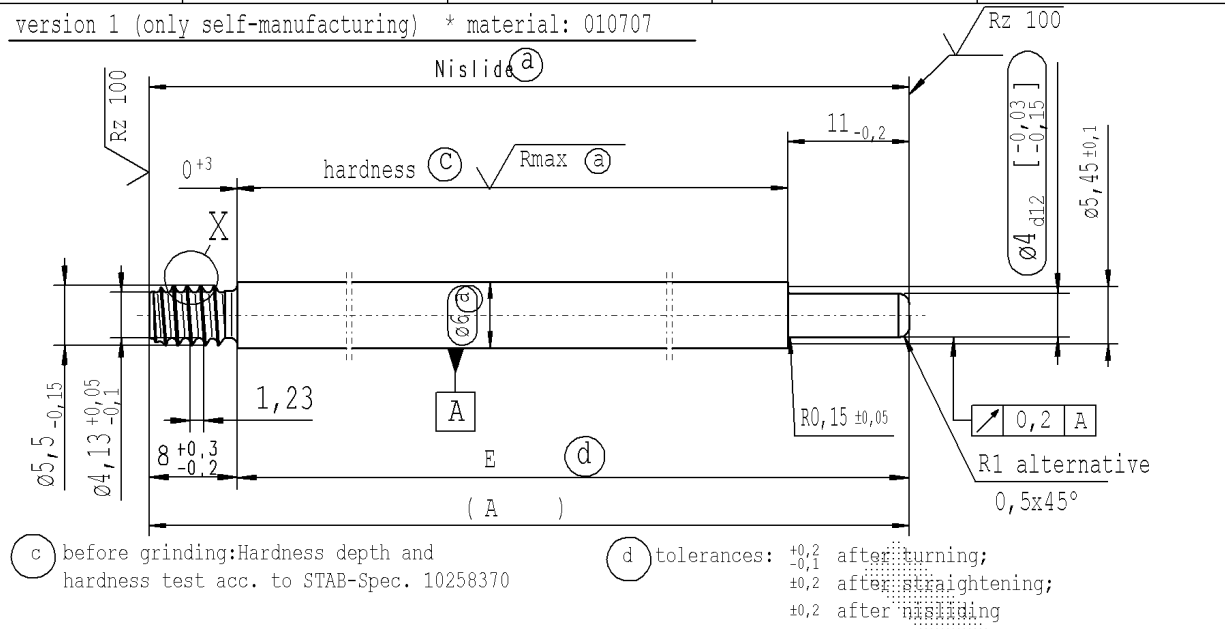


The print-out is not subject to the modification service.

Intended for internal and supplier use

Ident. Doc.:
Date: 3/5/2023 - 6:24

supp No.	material no.			A	E
	processing and surface treatment acc. to STAB-Spec.			overall length	length without endfitting stud
	10006248 Tab. XVI optimized version 1	10006248 Tab. X version 1	10028959 Tab. I version 2		
1	143925	143925	143925	204	196
2	508405	508405	508405	195	187
3	221129	221129	221129	180	172
4	378630	378630	378630	192	184
5	339676	339676	339676	186	178



sheet 1 of 1

AIAG CQI-standards acc. to STAB-Spec. 10027692				Environmental protection acc. to STAB-Spec. 10005649								
DE: X	EN: X	ES:	IT:	PR:	FR:	RO: X	CAD created document; handwritten changes not permitted	Material: *	All dimensions are in mm	Marking of special characteristics according to STAB-Spec. 10270932	Date	Name
new	ZS CN / ZS RO; no technical change, no new first sample required			Tab.XVI; Tab. X; no technical change, no new first sample required					Scale: (Original DIN A3) 2:1	Dimensions without tolerances DIN ISO 2768-mK	Drawn by	Donat
old	-			Tab.IV; -							Checked	Schnass
Field	B/5			-							Document No.: 10283692	
Date/Name	16.09.2022 Hein			10.10.2022 Jablonski							Material No.:	
Chg. No.	715301			715965								
Rev.	0			0								

STABILUS

PISTON ROD