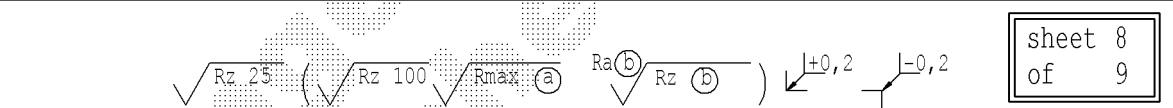
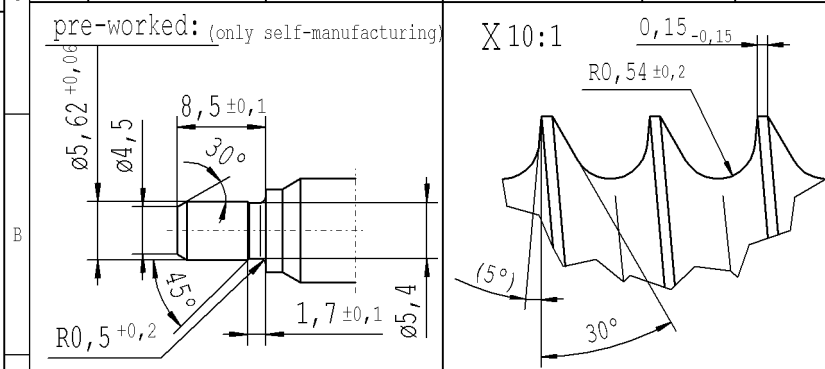
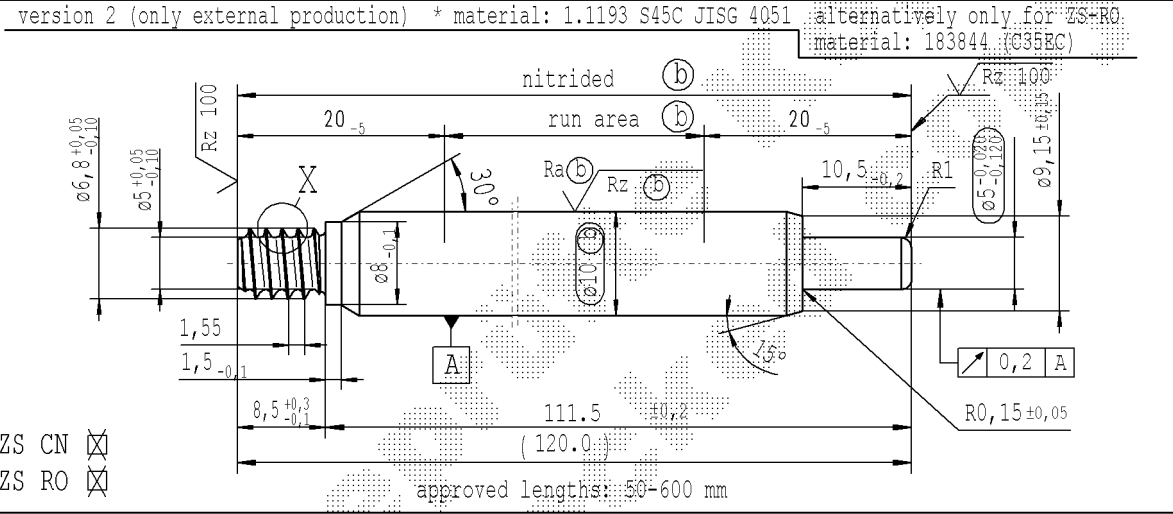
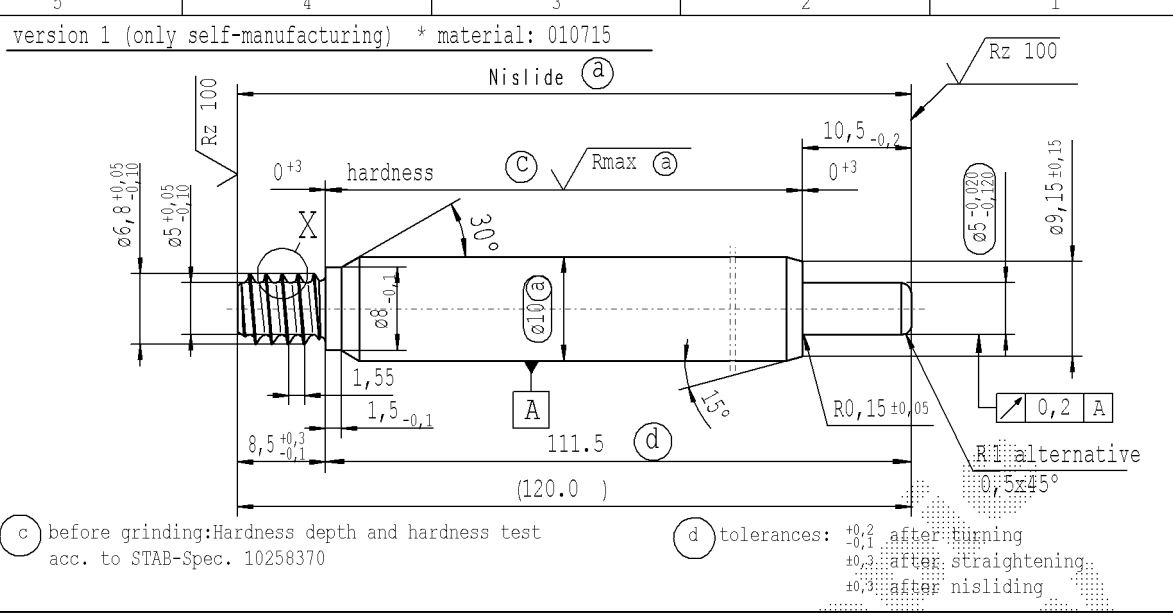


The print-out is not subject to the modification service.

Intended for internal and supplier use

Ident. Doc.: EFFE11.docx: 16/07/2023 - 12:12

F	supp No.	material no.			A	E
		processing and surface treatment acc. to STAB-Spec. 10006248 Tab. XVI optimized	10006248 Tab. X	10028959 Tab. I		
		(a)	(a)	(b)	overall length	length without endfitting stud
		version 1	version 1	version 2		
	142	058846	058846	058846	90.0	90.5
	143	102583	102583	102583	120.0	111.5
	144	183604	183604	183604	126.0	117.5
	145	235945	235945	235945	141.0	132.5
	146	240247	240247	240247	513.0	504.5
E	147	246461	246461	246461	296.0	287.5
	148	323658	323658	323658	528.0	519.5
	149	324853	324853	324853	192.0	183.5
	150	349231	349231	349231	411.0	402.5
	151	356401	356401	356401	207.0	198.5
	152	396075	396075	396075	93.0	84.5
D	153	514141	514141	514141	108.0	99.5
	154	043073	043073	043073	342.0	333.5
	155	761029	761029	761029	396.0	387.5
	156	659456	659456	659456	147.0	138.5
	157	685029	685029	685029	292.0	283.5
	158	685985	685985	685985	341.0	332.5
	159	688375	688375	688375	289.0	280.5
C	160	695545	695545	695545	348.5	340.0



sheet 8 of 9

A					AIAG CQI-standards acc. to STAB-Spec. 10027692					Environmental protection acc. to STAB-Spec. 10005649									
DE: X	EN: X	ES:	IT:	PR:	FR:	RO: X	CAD created document handwritten changes not permitted					Material: *							
new	ZS CN / ZS RO no technical change, no new first sample required						version 2 alternatively only for ZS-RO material: 183844 (G35EC)					All dimensions are in mm							
old	-						-					Marking of special characteristics according to STAB-Spec. 10270932							
Field	B/5						D/1-5					Scale: (Original DIN A3) 2:1							
Date/Name	10.03.2022 Hein						26.07.2022 Hein					Dimensions without tolerances DIN ISO 2768-mK							
Chg. No.	707979						713496					We reserve all rights to this document, to any patents or patent registrations related hereto, and to the duplication, retransmission by third parties and misc. use. Any use of this document is not permitted without the written consent of STABILUS.							
Rev.	13						14					Document No.: 10151520							
STABILUS										PISTON ROD					Material No.:				