

The print-out is not subject to the modification service.

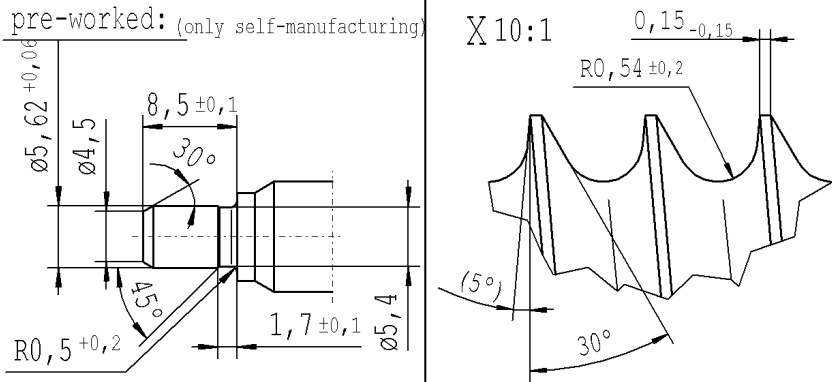
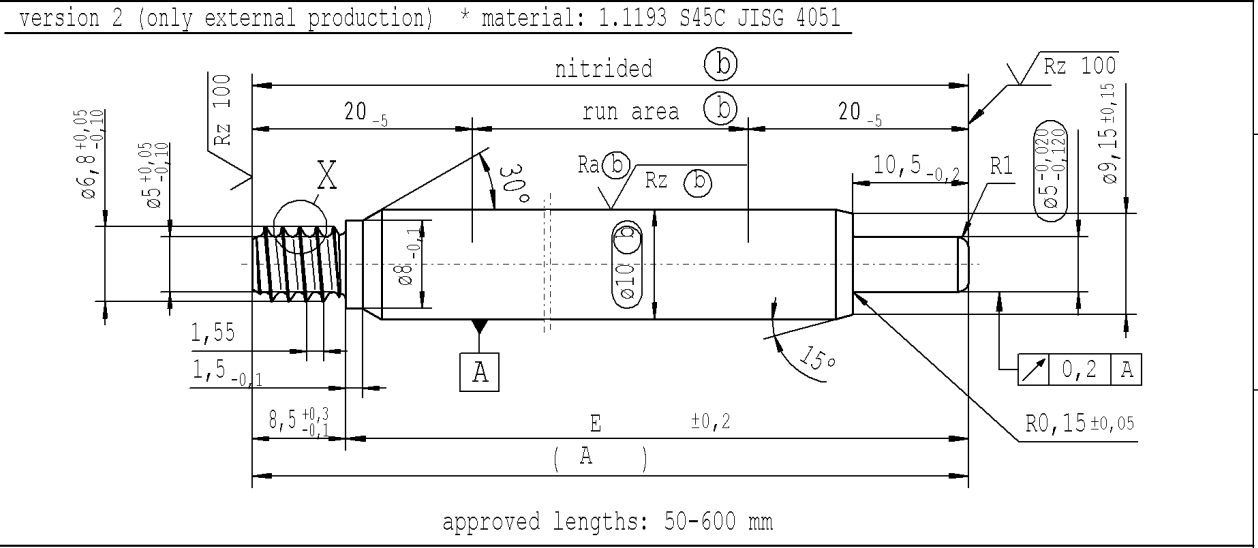
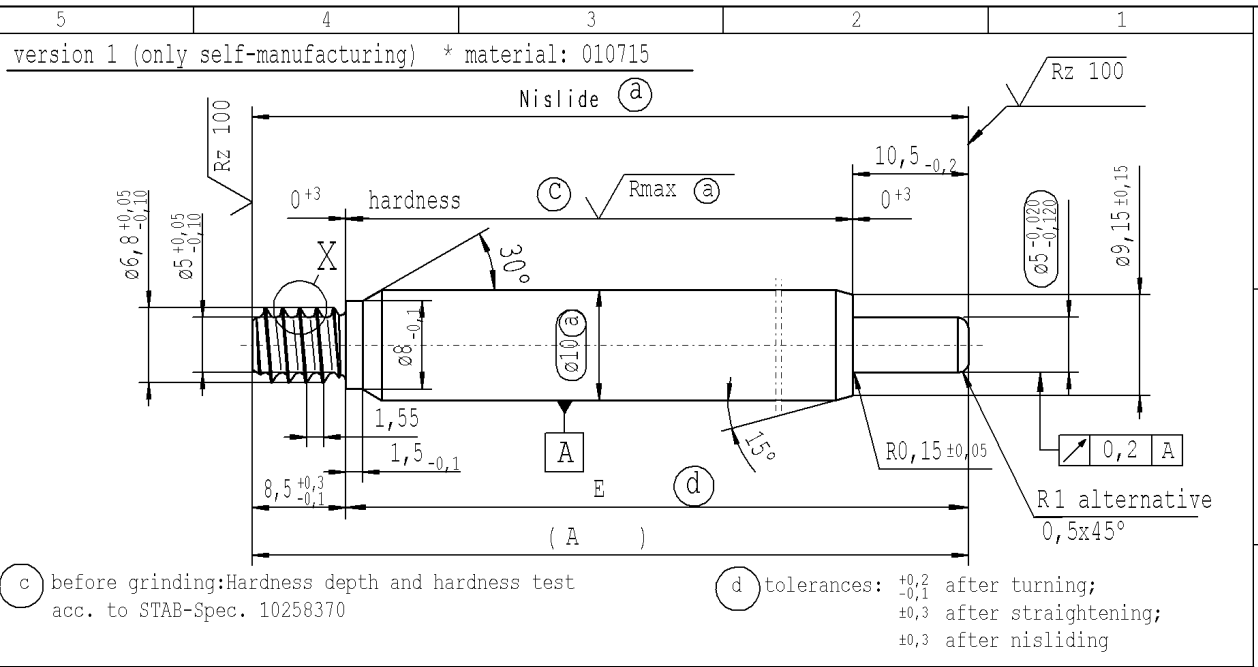
Intended for internal and supplier use

EN

Brevet.datum: 14/09/2021 - 12:10

Ident. Doc.:

supp No.	material no.			A	E
	10006248 Tab. XVI optimized version 1	10006248 Tab. X version 1	10028959 Tab. I version 2	overall length	length without endfitting stud
104	264621	264621	264621	387.0	378.5
105	503860	503860	503860	295.5	287.0
106	522741	522741	522741	363.0	354.5
107	602806	602806	602806	369.0	360.5
108	622405	622405	622405	123.0	114.5
109	627185	627185	627185	432.0	423.5
110	627663	627663	627663	552.0	543.5
111	638418	638418	638418	489.0	480.5
112	643198	643198	643198	465.0	456.5
113	689086	689086	689086	372.0	363.5
114	718244	718244	718244	306.0	297.5
115	722068	722068	722068	303.0	294.5
116	722546	722546	722546	558.0	549.5
117	733301	733301	733301	480.0	471.5
118	734257	734257	734257	345.0	336.5
119	742861	742861	742861	468.0	459.5
120	743817	743817	743817	393.0	384.5
121	786598	786598	786598	555.0	546.5
122	799265	799265	799265	390.0	381.5



AIAG CQI-standards acc. to STAB-Spec. 10027692							Environmental protection acc. to STAB-Spec. 10005649					
DE: X	EN: X	ES:	IT:	PR:	FR:	RO: X	Material: *	All dimensions are in mm	Marking of special characteristics according to STAB-Spec. 10270932	Date	Name	
CAD created document; handwritten changes not permitted										Scale: (Original DIN A3) 2:1		17.12.2007
new	(5°); no technical change, no new first sample required						Tab XVI; no technical change, no new first sample required	Edge tolerances acc. to DIN ISO 13715	Dimensions without tolerances	Checked	12.08.2021	Milles
old	5°						Tab IV;	Surface finish DIN EN ISO 1302	DIN ISO 2768-mK	Document No.: 10151520		
Field	B/6-7						F 8	Replaces:	We reserve all rights to this document, to any patents or patent registrations related hereto, and to the duplication, retransmission by third parties and misc. use. Any use of this document is not permitted without the written consent of STABILUS.			
Date/Name	08.04.2021 Hein						12.08.2021 Donat	STABILUS	Material No.:			
Chg. No.	696948						699704		PISTON ROD			
Rev.	13						13		Material No.:			

sheet 6 of 7