

Ident. Doc.: DE: X EN: X ES: IT: PR: FR: RO: X  
 new DE: Vordrehmaß ...ø5,29  
 old DE: Vordrehmaß ...ø5,19  
 Field D4  
 Date/Name 10.05.2021 Jablonski 02.06.2021 Jablonski 11.10.2022 Hein  
 Chg. No. 698020 697821 712940  
 Rev. 10 10 11

The print-out is not subject to the modification service.

Intended for internal and supplier use

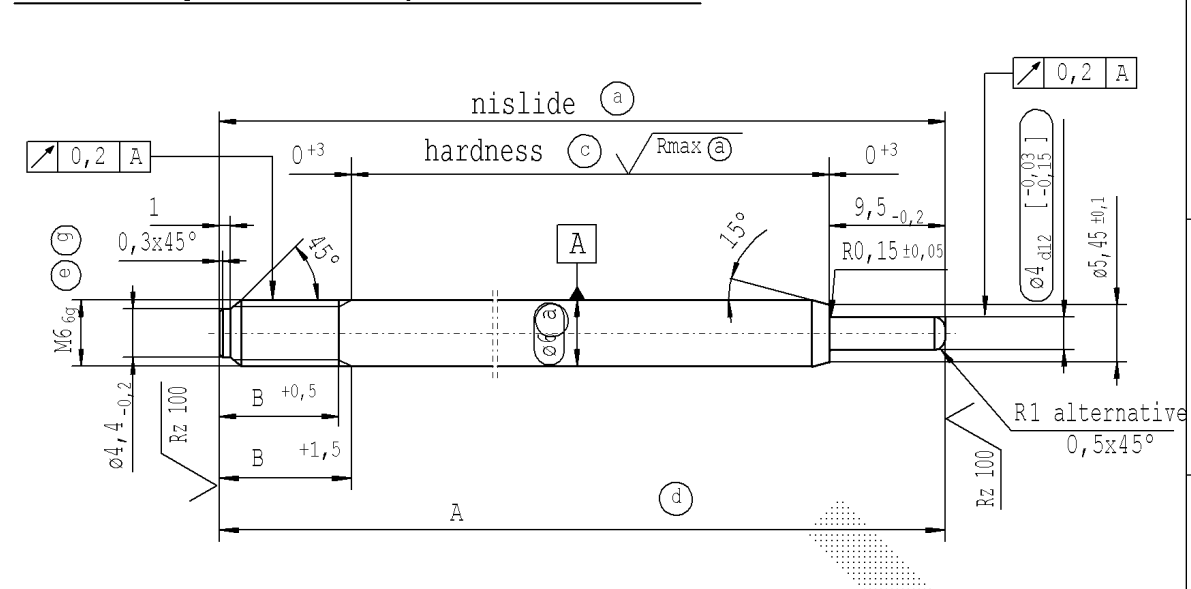
Date: 21/11/2022 - 6:46

supp No.	material no. version 1	material no. version 1	material no. version 2	A overall length	B thread length
24	535890	535890	535890	93	8.5
25	536846	536846	536846	120	8.5
26	537802	537802	537802	111	8.5
27	541148	541148	541148	132	8.5
28	419978	419978	419978	237	13
29	420456	420456	420456	81	10
30	420934	420934	420934	192	6
31	421651	421651	421651	129	10
32	423324	423324	423324	159	10
33	435035	435035	435035	186	6
34	435513	435513	435513	80	6
35	436947	436947	436947	111	6
36	438142	438142	438142	174	6
37	439098	439098	439098	144	6
38	441010	441010	441010	132	6
39	441966	441966	441966	123	10
40	442683	442683	442683	189	10
41	444356	444356	444356	171	6
42	445073	445073	445073	195	6
43	456545	456545	456545	78	6

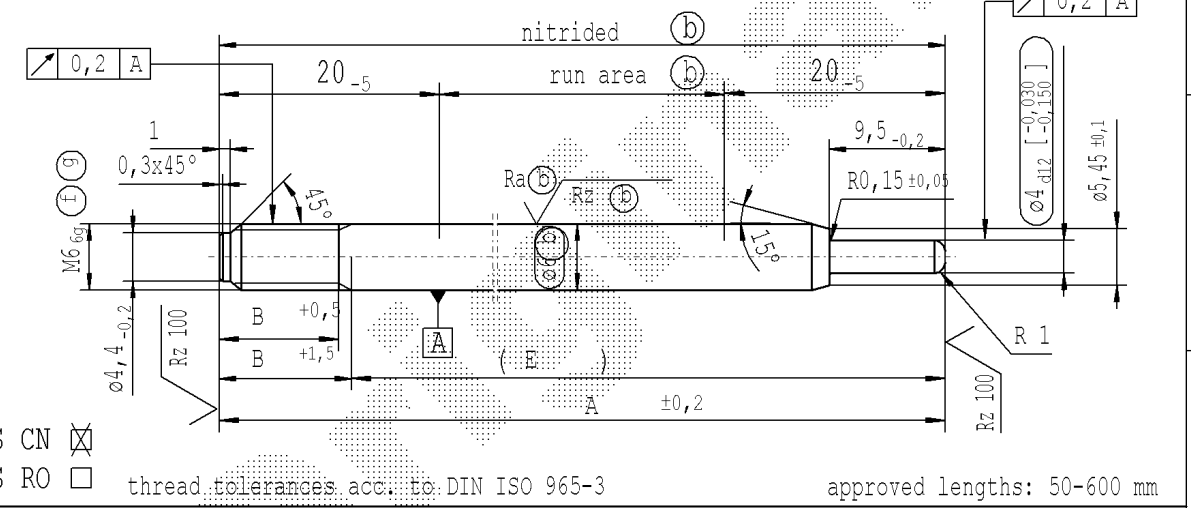
- (c) before grinding: Hardness depth and hardness test acc. to STAB-Spec. 10258370
- (d) tolerances:  $\pm 0,2$  after turning;  $\pm 0,2$  after straightening;  $\pm 0,2$  after nisliding
- (e) threaded stud rough-turned dim.  $\phi 5,29_{-0,06}$  thread roll tolerance 6e acc. to DIN ISO 965-3
- (f) rough-turned dim. thread roll tolerance 6e
- (g) In the final condition, the actual profile of the thread must not exceed the maximum material limit for the tolerance zone position h at any point

DE: X	EN: X	ES:	IT:	PR:	FR:	RO: X	CAD created document; handwritten changes not permitted
new	DE: Vordrehmaß ...ø5,29	Tab X deleted, no technical change, no new first sample required	ZS CN / ZS RO; M6 <sub>6g</sub>	(f) (g)	Tab. XVI; Tab. X		
old	DE: Vordrehmaß ...ø5,19	-	-	-	Tab. IV; Tab. VIII		
Field	D4	-	B-C/5; E-F/5, -				
Date/Name	10.05.2021 Jablonski	02.06.2021 Jablonski	11.10.2022 Hein				
Chg. No.	698020	697821	712940				
Rev.	10	10	11				

version 1 (only self-manufacturing) \* material: 010707



version 2 (only external production) \* material: 1.1193 S45C JISG 4051



ZS CN  ZS RO  thread tolerances acc. to DIN ISO 965-3 approved lengths: 50-600 mm

AIAG CQI-standards acc. to STAB-Spec. 10027692		Environmental protection acc. to STAB-Spec. 10005649	
Material: *	All dimensions are in mm	Marking of special characteristics according to STAB-Spec. 10270932	Date Name
Edge tolerances acc. to DIN ISO 13715	Scale: (Original DIN A3) 2:1	Dimensions without tolerances DIN ISO 2768-mK	Drawn by 06.06.2012 Donat
Surface finish DIN EN ISO 1302	We reserve all rights to this document, to any patents or patent registrations related hereto, and to the duplication, retransmission by third parties and misc. use. Any use of this document is not permitted without the written consent of STABILUS.		Checked 11.10.2022 Klinkner
Replaces:	STABILUS		Document No.: 10190070
PISTON ROD		Material No.:	

sheet 2 of 4