

The print-out is not subject to the modification service.

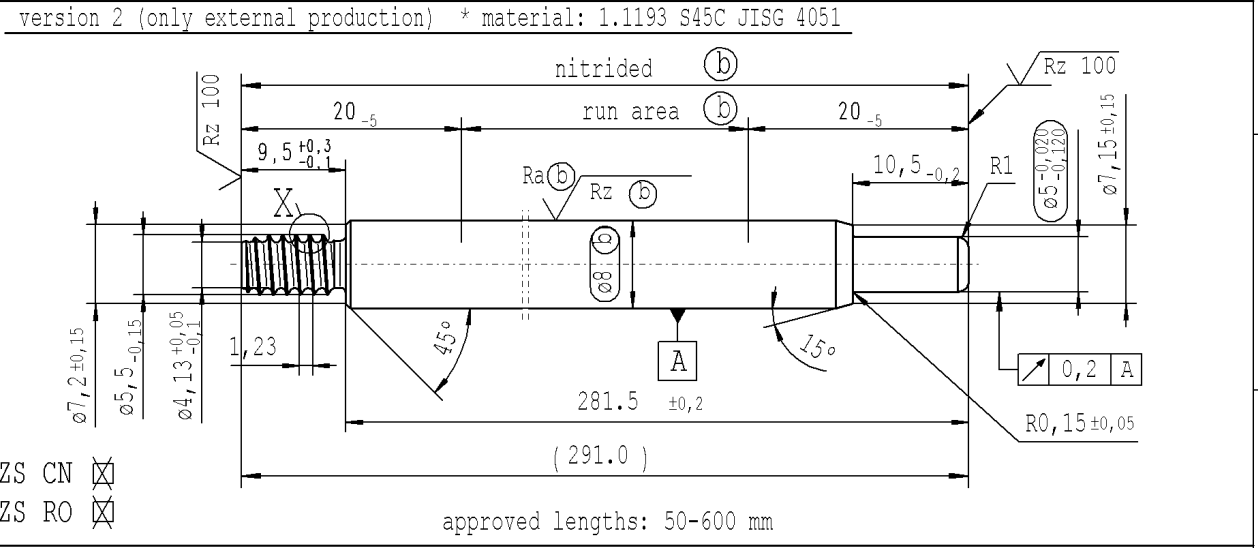
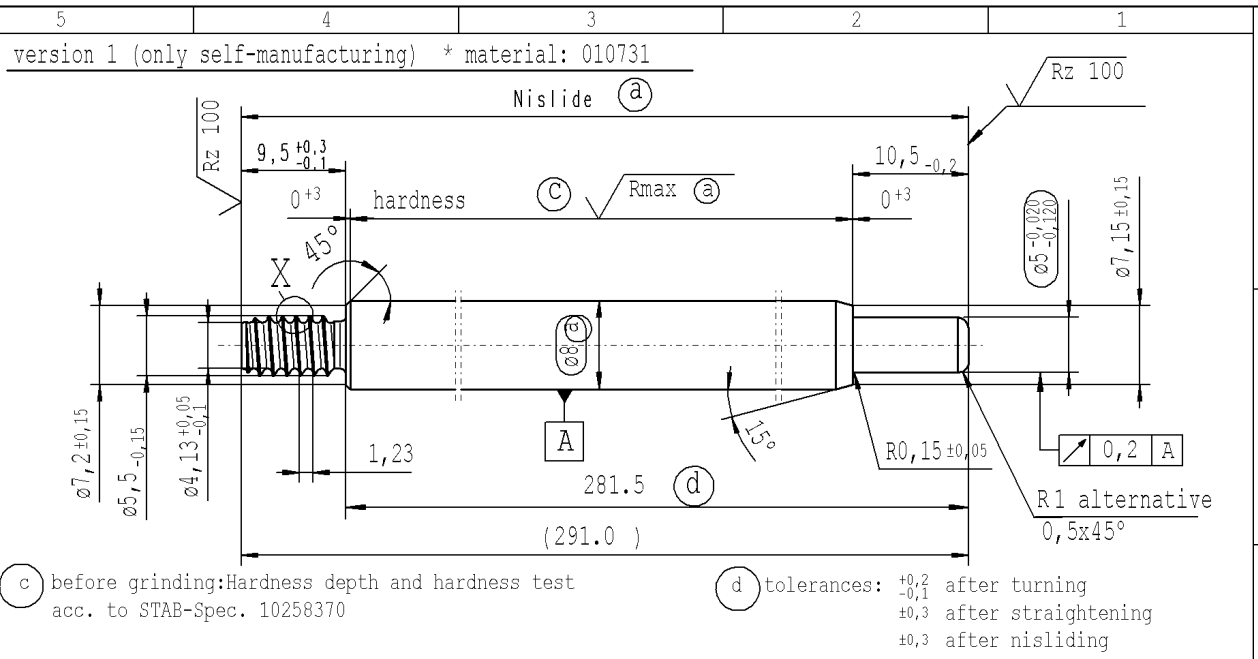
Intended for internal and supplier use

EN

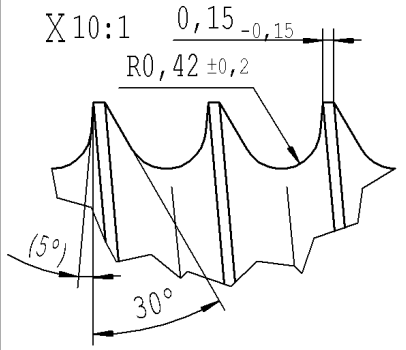
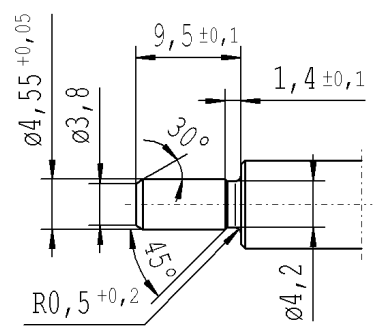
Bereitstellungsdatum: 04/2022 - 11:56

Ident. Doc.:

supp No.	material no.			A	E
	10006248 Tab. XVI optimized version 1	10006248 Tab. X version 1	10028959 Tab. I version 2	overall length	length without endfitting stud
65	496172	496172	496172	223.0	213.5
66	460323	460323	460323	306.0	296.5
67	183084	183084	183084	198.0	188.5
68	328874	328874	328874	327.0	317.5
69	539433	539433	539433	339.0	329.5
70	297088	297088	297088	201.0	191.5
71	333655	333655	333655	132.5	123.0
72	333894	333894	333894	246.0	236.5
73	364009	364009	364009	291.0	281.5
74	754298	754298	754298	219.0	209.5
75	960316	960316	960316	261.0	251.5
76	626434	626434	626434	276.0	266.5
77	859698	859698	859698	340.5	331.0
78	484232	484232	484232	258.0	248.5
79	500962	500962	500962	234.0	224.5
80	201257	201257	201257	192.0	182.5
81	135533	135533	135533	168.0	158.5
82	611382	611382	611382	177.0	167.5
83	077935	077935	077935	159.5	150.0



pre-worked: (only self-manufacturing)



ZS CN
ZS RO

AIAG CQI-standards acc. to STAB-Spec. 10027692				Environmental protection acc. to STAB-Spec. 10005649			
DE: X	EN: X	ES:	IT:	PR: X	FR:	RO: X	
new Tab XVI no technical change, no new first sample required				CAD created document handwritten changes not permitted			
old Tab IV				ZS CN / ZS RO no technical change, no new first sample required			
Field F 8				-			
Date/Name 12.08.2021 Donat				B/5			
Chg. No. 699704				10.03.2022 Hein			
Rev. 14				707979			
				Material: *			
				All dimensions are in mm			
				Marking of special characteristics according to STAB-Spec. 10270932			
				Scale: (Original DIN A3) 2:1			
				Edge tolerances acc. to DIN ISO 13715			
				Surface finish DIN EN ISO 1302			
				Replaces:			
				We reserve all rights to this document, to any patents or patent registrations related hereto, and to the duplication, retransmission by third parties and misc. use. Any use of this document is not permitted without the written consent of STABILUS.			
				Document No.: 10151066			
				Material No.:			
				Date: 05.12.2007			
				Name: Höfer			
				Checked: 11.03.2022			
				Klinkner			
				Material No.:			

sheet 4 of 12

STABILUS

PISTON ROD