

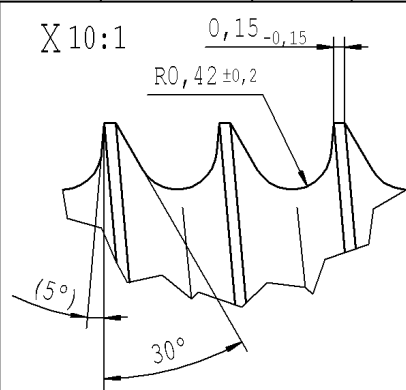
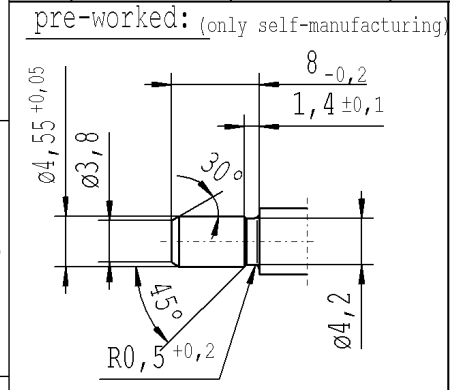
The print-out is not subject to the modification service.

Intended for internal and supplier use

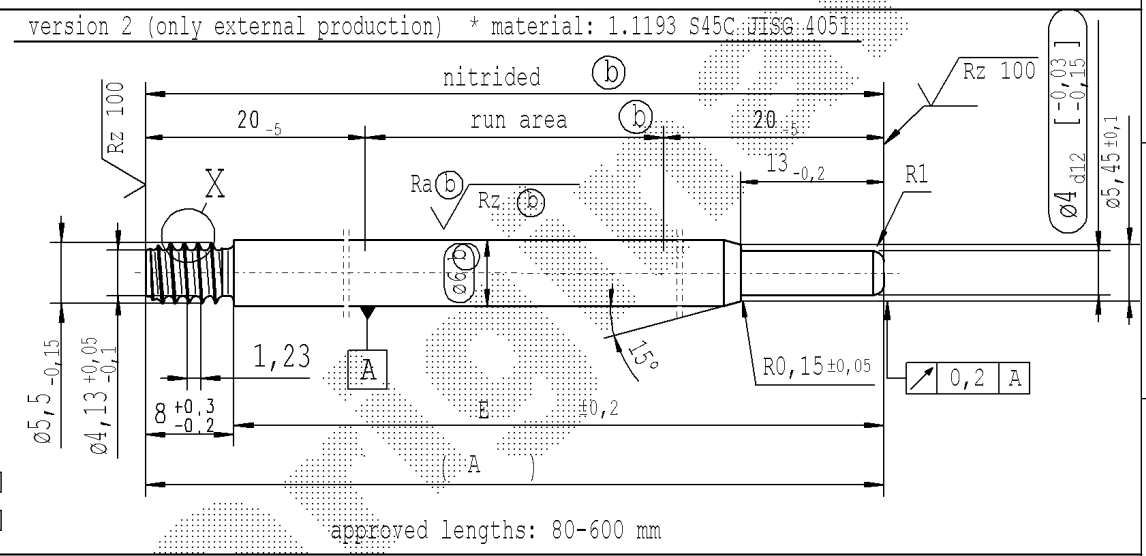
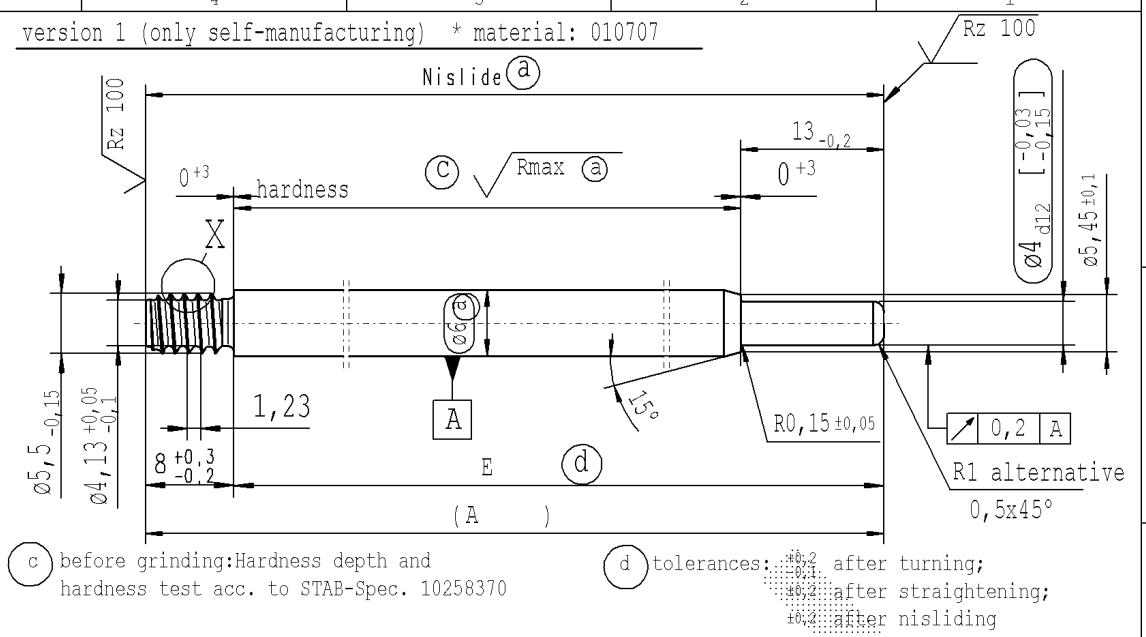
Ident. Doc.:

Date: 5/7/2023 - 11:33

supp No.	material no.				A	E
	10006248 Tab. IV version 1	10006248 Tab. X version 1	10006248 Tab. V version 1	10028959 Tab. I version 2		
1			468717	468717	126	118
2				995002	126	118
3				870734	96	88



ZS CN   
ZS RO



sheet 1 of 1

AIAG CQI-standards acc. to STAB-Spec. 10027692					Environmental protection acc. to STAB-Spec. 10005649							
DE: X	EN: X	ES:	IT:	PR:	FR:	RO: X	CAD created document; handwritten changes not permitted	Material: *	All dimensions are in mm	Marking of special characteristics according to STAB-Spec. 10270932	Date	Name
new	(5°); no technical change, no new first sample required						ZS CN / ZS RO; no technical change, no new first sample required	Scale: (Original DIN A3) 2:1	Dimensions without tolerances DIN ISO 2768-mK	Drawn by	05.11.2018	Höfer
old	5°						-	Edge tolerances acc. to DIN ISO 13715	We reserve all rights to this document, to any patents or patent registrations related hereto, to the duplication, retransmission by third parties and misc. use. Any use of this document is not permitted without the written consent of STABILUS.	Checked	16.09.2022	Klinkner
Field	B/6-7						B/5	Surface finish DIN EN ISO 1302	Replaces:	Document No.: 10259201		
Date/Name	31.03.2021 Hein						16.09.2022 Hein			Material No.:		
Chg. No.	696924						715059					
Rev.	4						4					

**STABILUS**

**PISTON ROD**