

The print-out is not subject to the modification service.

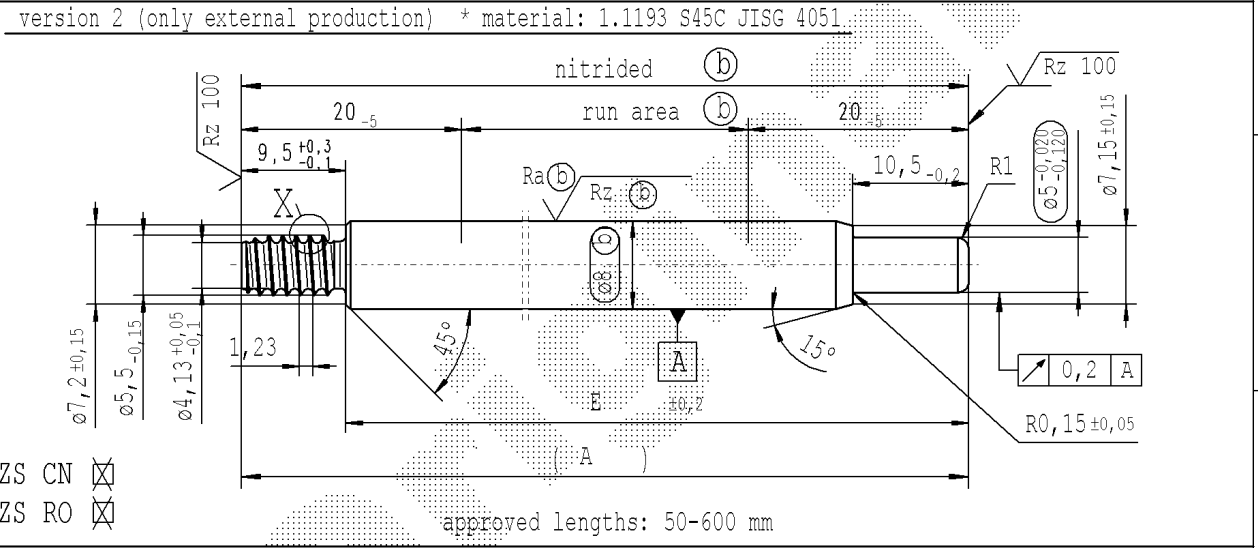
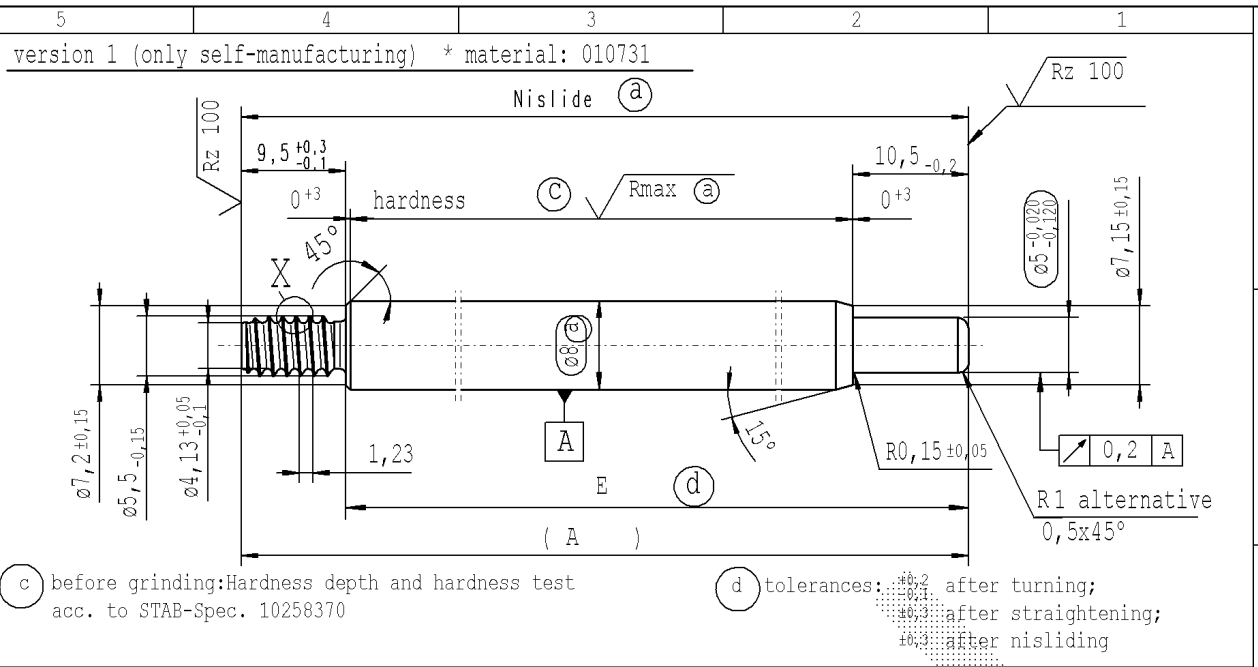
Intended for internal and supplier use

EN

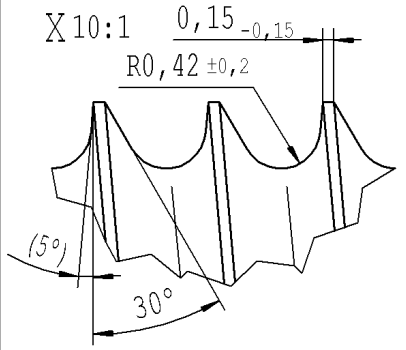
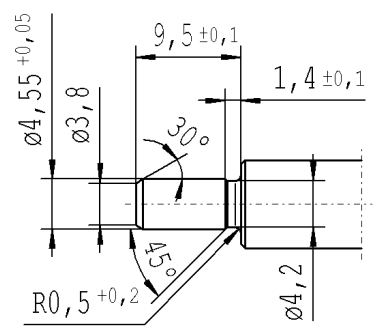
Brevell Datum: 19/07/2023 - 14:39

Ident. Doc.:

supp No.	material no.			A	E
	processing and surface treatment acc. to STAB-Spec. 10006248 Tab. XVI optimized version 1	10006248 Tab. X version 1	10028959 Tab. I version 2	overall length	length without endfitting stud
220	138672	138672	138672	453.0	443.5
221	186233	186233	186233	138.0	128.5
222	945776	945776	945776	318.0	308.5
223	946732	946732	946732	162.0	152.5
224	047137	047137	047137	165.0	155.5
225	108799	108799	108799	126.5	117.0
226	934784	934784	934784	239.5	230.0
227	175960	175960	175960	173.0	163.5
228	179067	179067	179067	301.0	291.5
229	200099	200099	200099	277.0	267.5
230	221609	221609	221609	263.0	253.5
231	223043	223043	223043	108.0	98.5
232	225672	225672	225672	230.0	220.5
233	230213	230213	230213	96.0	86.5
234		572701	572701	117.0	107.5



pre-worked: (only self-manufacturing)



AIAG CQI-standards acc. to STAB-Spec. 10027692				Environmental protection acc. to STAB-Spec. 10005649			
DE: X	EN: X	ES:	IT:	PR: X	FR:	RO: X	
CAD created document; handwritten changes not permitted				Material: *			
new Tab XVI; no technical change, no new first sample required				ZS CN / ZS RO; no technical change, no new first sample required			
old Tab IV;				-			
Field F 8				B/5			
Date/Name 12.08.2021 Donat				10.03.2022 Hein			
Chg. No. 699704				707979			
Rev. 14				14			
				All dimensions are in mm			
				Marking of special characteristics according to STAB-Spec. 10270932			
				Date 05.12.2007 Name Höfer			
				Drawn by 11.03.2022 Klinkner			
				Checked 11.03.2022 Klinkner			
				Document No.: 10151066			
				Material No.:			
				Scale: (Original DIN A3) 2:1			
				Dimensions without tolerances DIN ISO 2768-mK			
				We reserve all rights to this document, to any patents or patent registrations related hereto, and to the duplication, retransmission by third parties and misc. use. Any use of this document is not permitted without the written consent of STABILUS.			
				STABILUS			
				PISTON ROD			

sheet 12 of 12