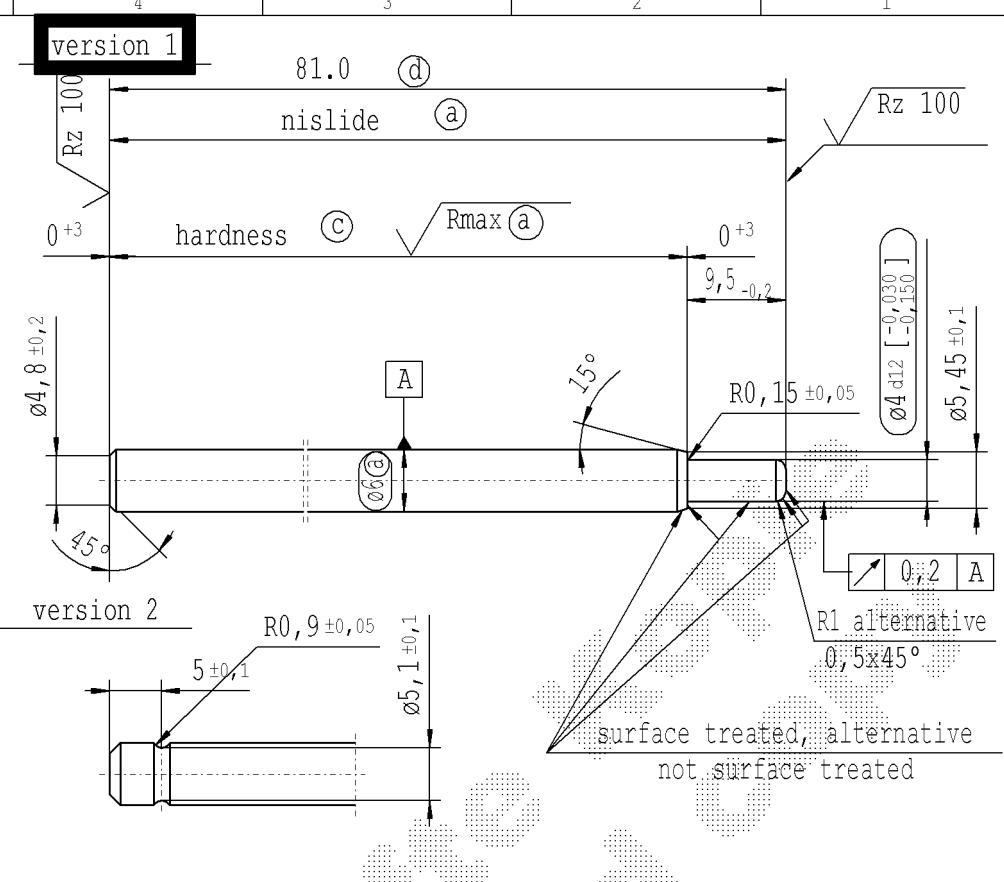


The print-out is not subject to the modification service.

CONFIDENTIAL! Intended for internal and supplier use

Ident. Doc.: SN 53.11=06702=... 14/02/2023 - 8:47

| F | supp. No. | material no. | | | | | A | B | |
|---|-----------|--------------------------|--|----------------------------|-------------------------|---|--------|-------|---|
| | | table IV Nislid black | table XVI optimized Nislid black | table VIII Nislid black | table V Nislid light | only STUS/STMX table X Nislid "G" | | | KOST without surface treatment |
| | 1 | 4483AM | | | | 4483AM | 525323 | 105.0 | 1 |
| | 2 | 4598AB | | | | 4598AB | | 120.0 | 1 |
| | 3 | 228648 | | | | 228648 | | 52.0 | 1 |
| | 4 | 727431 | | | | 727431 | 330723 | 183.0 | 1 |
| | 5 | 2705BO | | | | 2705BO | | 111.0 | 1 |
| E | 7 | 222836 | | | | 222836 | 394304 | 76.0 | 1 |
| | 8 | 9446FP | | | | 9446FP | | 249.0 | 1 |
| | 9 | 0065AP | | | | 0065AP | | 66.0 | 1 |
| | 10 | | | 3305QB | | | | 117.0 | 1 |
| | 11 | | | 7689CR | | | 8433WD | 207.0 | 1 |
| | 12 | | | 330620 | | | | 96.0 | 1 |
| D | 14 | 309451 | | | | 309451 | 453624 | 180.0 | 1 |
| | 15 | 1282FI | | | | 1282FI | | 69.0 | 1 |
| | 16 | 326186 | | | | 326186 | 561651 | 72.0 | 1 |
| | 18 | 869406 | | | | 869406 | | 261.0 | 1 |
| | 19 | 1024GR | | | | 1024GR | | 79.0 | 1 |
| | 20 | 487880 | | | | 487880 | 252149 | 57 | 1 |
| | 21 | 565474 | | | | 565474 | | 60.0 | 1 |
| C | 22 | 1942GG | | | | 1942GG | | 285.0 | 1 |
| | 24 | 183210 | | | | 183210 | | 133.0 | 1 |
| | 25 | 486655 | | | | 486655 | | 81.0 | 1 |
| | 26 | 2339GL | | | | 2339GL | 473263 | 195.0 | 1 |
| | 28 | 2653GI | | | | 2653GI | | 246.0 | 1 |
| | 30 | 7751GZ | | | | 7751GZ | 473024 | 270.0 | 1 |
| | 31 | 313866 | | | | 313866 | 524367 | 90.0 | 1 |
| B | 32 | 313874 | | | | 313874 | | 117.0 | 1 |
| | 33 | 317667 | | | | 317667 | 524128 | 186.0 | 1 |
| | 34 | 328774 | | | | 328774 | 500467 | 108.0 | 1 |
| | 35 | 188816 | | | | 188816 | | 84.0 | 1 |



* only Tab. IV

- (a) piston rod processing per STAB-Spec. 10006248
- (c) before grinding:
Hardness depth and hardness test
acc. to STAB-Spec. 10258370
- (d) tolerance: $\pm 0,2$ after turning
 $\pm 0,2$ after straightening
 $\pm 0,2$ after chroming/nisliding

$\sqrt{Rz 25}$ ($\sqrt{Rz 100}$ $\sqrt{Rmax (a)}$)
 $\sqrt{+0,2}$ $\sqrt{-0,2}$
 sheet 1 of 4

| | | | | | | | | | | | | | | | | | | | | | | | | | | | | | | | | | | | | | | | | | | | | | | | | | | | | | | | | | | | | | | | | | | | | | |
|-----------|---------------------|-----|-----|-----|-------|------------------|--|--|--|--|------------------|--|--|--|--|------------------|--|--|--|--|------------------|--|--|--|--|--|--|--|--|---|--|--|--|--|--|--|--|--|--|---|--|--|--|--|--|--|--|--|--|-----------------------------|--|--|--|--|--|--|--|--|--|--|--|--|--|--|--|--|--|--|--|
| A | | | | | | | | | | AIAG CQI-standards acc. to STAB-Spec. 10027692 | | | | | | | | | | Environmental protection acc. to STAB-Spec. 10005649 | | | | | | | | | | | | | | | | | | | | | | | | | | | | | | | | | | | | | | | | | | | | | | | | | |
| DE: X | EN: X | ES: | IT: | PR: | FR: | RO: X | CAD created document handwritten changes not permitted | | | Material: mat.no.: 010707 | | | | | | | | | | All dimensions are in mm | | | | | | | | | | Marking of special characteristics according to STAB-Spec. 10270932 | | | | | | | | | | Date: 20.05.1992 Name: Kirsch | | | | | | | | | | | | | | | | | | | | | | | | | | | | | |
| new | chrome DCK 10214402 | | | | RO: X | | © = acc. STAB-Spec. 10258370 | | | Table V | | | | | | | | | | Table XVI | | | | | | | | | | Scale: (Original DIN A3) 2:1 | | | | | | | | | | Dimensions without tolerances DIN ISO 2768 mK | | | | | | | | | | Drawn by: 02.08.2023 Milles | | | | | | | | | | | | | | | | | | | |
| old | - | | | | - | | © = RHT 0,4 ... 0,7 mm | | | | | | | | | | | | | | | | | | | | | | | | | | | | | | | | | | | | | | | | | | | | | | | | | | | | | | | | | | | | | | |
| Field | Pos 11,37,40,44 | | | | | | B 5-6 | | | | | | | | | | | | | | | | | | | | | | | | | | | | | | | | | | | | | | | | | | | | | | | | | | | | | | | | | | | | | | |
| Date/Name | 12.08.2014 Höfer | | | | | 15.08.2016 Höfer | | | | | 02.05.2019 Donat | | | | | 19.07.2021 Donat | | | | | 02.08.2023 Donat | | | | | | | | | | | | | | | | | | | | | | | | | | | | | | | | | | | | | | | | | | | | | | | | |
| Chg. No. | 615927 | | | | | 642682 | | | | | 678231 | | | | | 699518 | | | | | 724795 | | | | | | | | | | | | | | | | | | | | | | | | | | | | | | | | | | | | | | | | | | | | | | | | |
| Rev. | 2B | | | | | 29 | | | | | 30 | | | | | 31 | | | | | 32 | | | | | | | | | | | | | | | | | | | | | | | | | | | | | | | | | | | | | | | | | | | | | | | | |
| | | | | | | | | | | STABILUS | | | | | | | | | | PISTON ROD | | | | | | | | | | | | | | | | | | | | | | | | | | | | | | | | | | | | | | | | | | | | | | | | | |