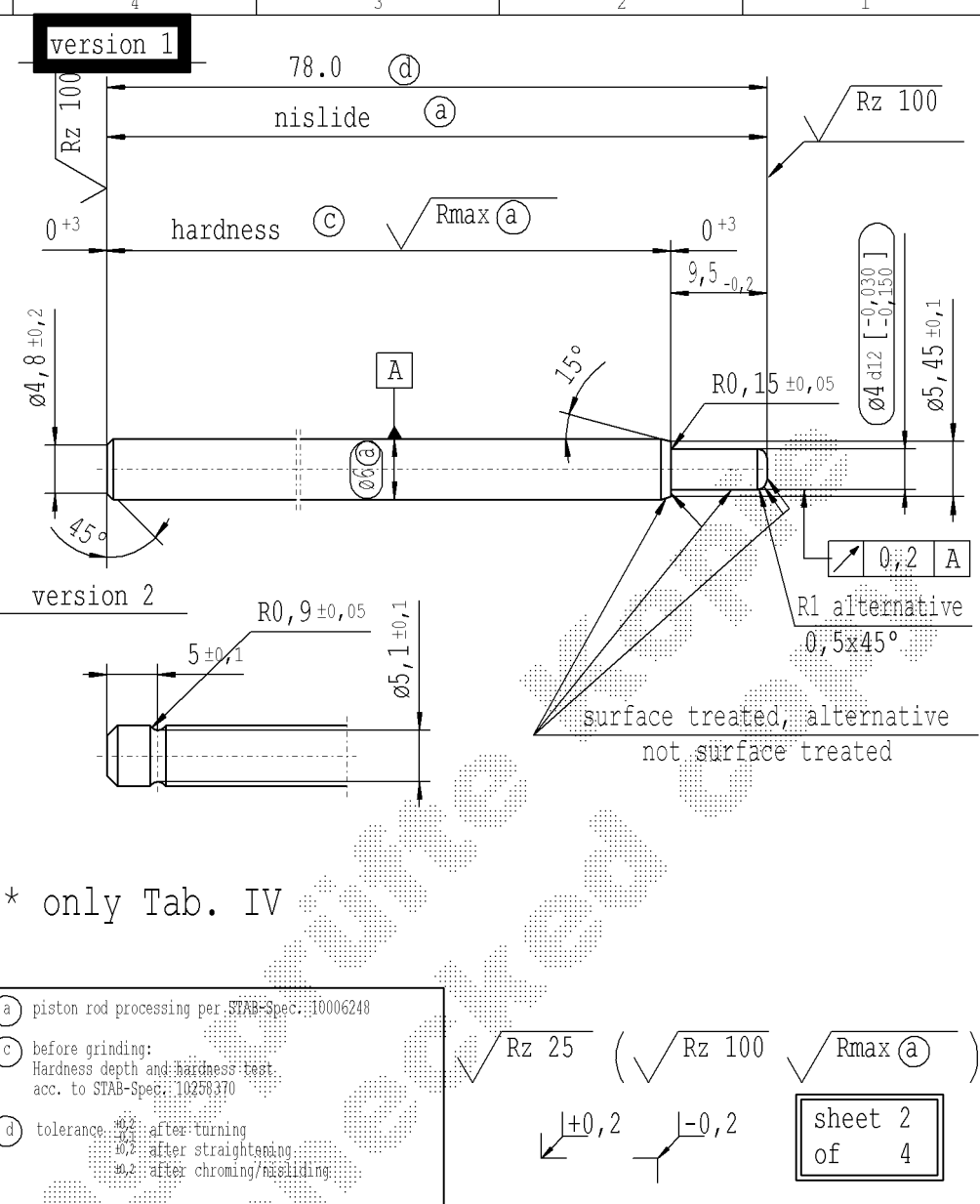


The print-out is not subject to the modification service.

CONFIDENTIAL! Intended for internal and supplier use

Ident. Doc.: SN 53.11=06702=mm. 14/02/2023 - 8:47

F	supp No.	material no.					A	B	
		table IV Nislide black	table XVI optimized Nislide black	table VIII Nislide black	table V Nislide light	only STUS/STMX table X Nislide "G"			KOST without surface treatment
	36	328782				328782		75.0	1
	37	6923AY				6923AY	8434WZ	96.0	1
	39	335185				335185		138.0	1
	40	338354				338354	8435WU	99.0	1
	41	360872				360872		135.0	1
E	42	363855				363855	453863	123.0	1
	43	5327GD				5327GD		134.5	1
	44	9886BG				9886BG	8436WP	93	1
	47	477451				477451		156.0	1
	49	486388				486388	525084	141.0	1
	50	486574				486574		126.0	1
D	51	541982				541982	523889	198.0	1
	52	488712				488712	524845	159.0	1
	53	8654LQ				8654LQ		83.0	1
	54	493759				493759	453385	102.0	1
	55	549061				549061	523650	210.0	1
	56	511897				511897	330962	132.0	1
	58	532681				532681	524606	129.0	1
EN	60			6277NZ				204.0	1
	61	1556WZ				1556WZ		131.0	1
	62	619248				619248	504530	150.0	1
	63			510ALJ				273.0	1
	65	594032				594032	445941	78.0	1
	66	4245LX				4245LX		162.0	1
	67	7972KF				7972KF		153.0	1
B	68	577502				577502		87.0	1
	69	580643				580643		114.0	1
	72	2451NE				2451NE		165.0	1
	76	1863PO				1863PO	453146	204.0	1



DE: X		EN: X	ES:	IT:	PR:	FR:	RO: X	CAD created document handwritten changes not permitted		
new	chrome DCK	10214402			RO: X		⊙ = acc. STAB-Spec. 10258370	Table V	Table XVI	
old	-	-			-		⊙ = RHT 0,4 ... 0,7 mm	-	-	
Field	Pos 11,37,40,44				-		B 5-6	-	-	
Date/Name	12.08.2014	Höfer	15.08.2016	Höfer	02.05.2019	Donat	19.07.2021	Donat	02.08.2023	Donat
Chg. No.	615927		642682		678231	699518	724795			
Rev.	2B		29		30	31	32			

Material: mat.no.: 010707

Edge tolerances acc. to DIN ISO 13715

Surface finish: DIN EN ISO 1302

Regulations:

**STABILUS**

Environmental protection acc. to STAB-Spec. 10005649

All dimensions are in mm

Scale: (Original DIN A3) 2:1

Marking of special characteristics according to STAB-Spec. 10270932

Dimensions without tolerances DIN ISO 2768 mK

We reserve all rights to this document, to any patents or patent registrations related hereto, and to the duplication, retransmission by third parties and misc. use. Any use of this document is not permitted without the written consent of STABILUS.

Document No.: 10003697

Material No.:

PISTON ROD

sheet 2 of 4