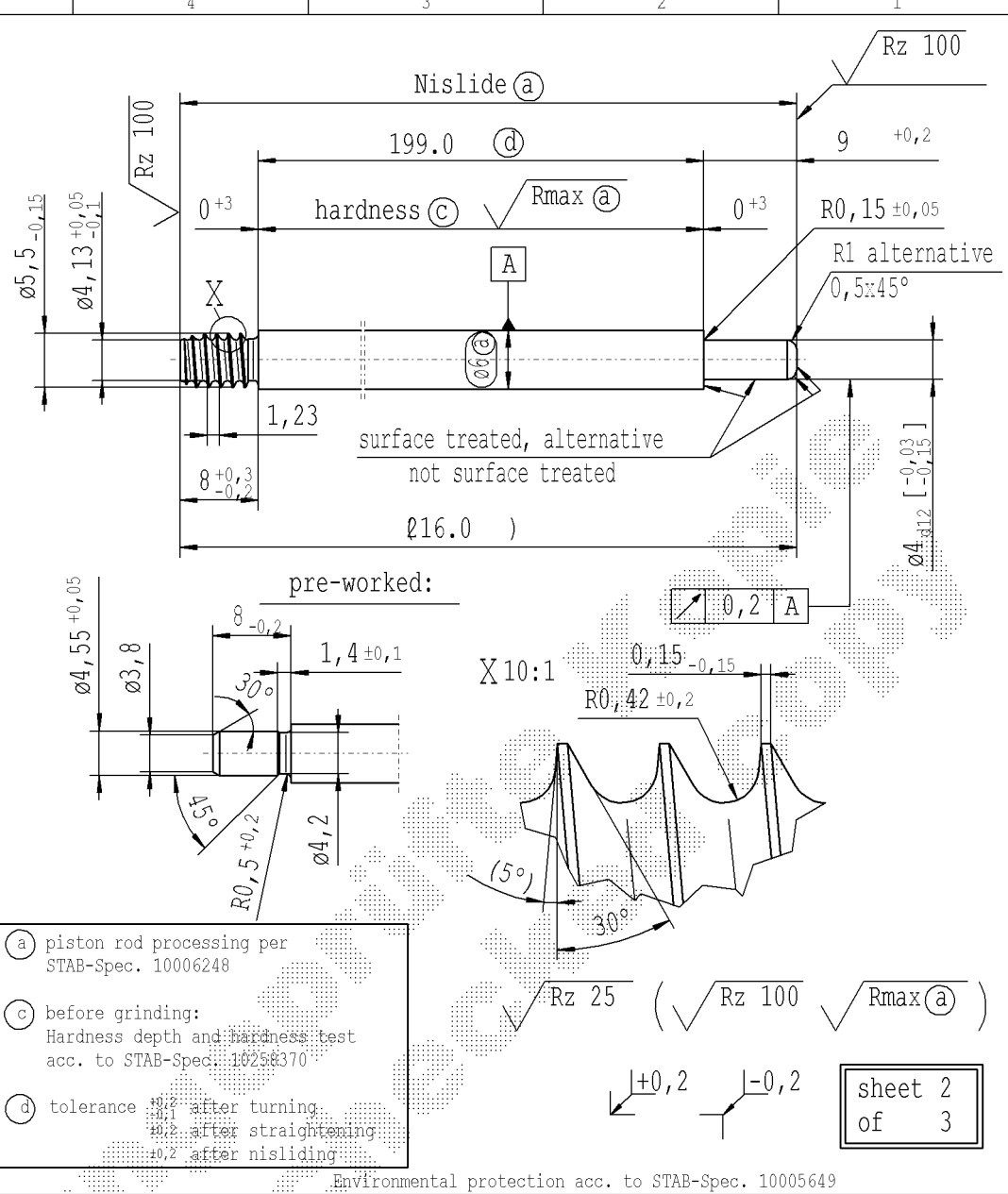


CONFIDENTIAL!
Intended for internal use only

supp. No.	material no.					A	B	C
	table IV Nislid black	table V Nislid light	table VIII Nislid black	only STU5/STMX table X Nislid 'G'	without surface	overall length	stud length piston side	length in area ø6
F	41	665380				68.0	9	51.0
	42	513855		513855		138.0	9	121.0
	44	072425		072425		144.0	10	126.0
	45	673511		673511		198.0	9	181.0
	46	775803		775803		160.0	9	143.0
E	48	297804		297804		194.0	9	177.0
	49	187868		187868		144.0	9	127.0
	50	845357		845357		171.0	9	154.0
	51	381459		381459		186.0	9	169.0
	53	290879		290879		192.0	9	175.0
	54	306892		306892		147.0	9	130.0
	55	778441		778441		81.0	9	64.0
D	56	042322		042322		246.0	9	229.0
	57	850383		850383		231.0	9	214.0
	58	359717		359717		201.0	9	184.0
	60	278220		278220		249.0	9	232.0
	61	467030		467030		291.0	9	274.0
	62	238308		238308		201.0	10	183.0
C	63	296385		296385		159.0	9	142.0
	64	214170		214170		96.0	9	79.0
	65	294475		294475		216.0	9	199.0
	66	908464		908464		126.0	10	108.0
	67	962003		962003		99.0	9	82.0
	68	768416		768416		120.0	9	103.0
	69	907514		907514		105.0	9	88.0
B	70	294242		294242		69.0	9	52.0
	71	833904		833904		73.5	9	56.5
	72	913730		913730		222.0	9	205.0
	73	172593		172593		229.0	9	212.0
A	74	449355		449355		213.0	9	196.0



Ident. Doc.:
Errele11.docx: 15/03/2023 - 7:31

DE: X	EN: X	ES:	IT:	PR:	FR:	RO: X	CAD created document handwritten changes not permitted		Material:	All dimensions are in mm	Marking of special characteristics according to STAB-Spec. 10270932	Date	Name
new	position of angle 5° corrected 8 ± 0.3 -0.2				© = acc. STAB-Spec. 10258370		(5°)	mat. no.: 010707	Scale: (Original DIN A3) 2:1	Dimensions without tolerances DIN ISO 2768-mK	Drawn by	10.09.2001	Bo.
old	wrong position of angle 5°				© = RHT 0,4 0,7 mm		5°	Edge tolerances acc. to DIN ISO 13715			Checked	30.03.2021	Klinkner
Field	B-D/2-3 D/4		B 3-5		C/2-3			Surface finish DIN EN ISO 1302	We reserve all rights to this document, to any patents or patent registrations related hereto, and to the duplication, retransmission by third parties and misc. use. Any use of this document is not permitted without the written consent of STABILUS.				Document No.:
Date/Name	08.04.2019 Hein		14.05.2019 Jablonski		30.03.2021 Hein			Reguliertes:	<div style="text-align: center;"> </div>				10017543
Chg. No.	677381		678671		696923								Material No.:
Rev.	12		13		14								