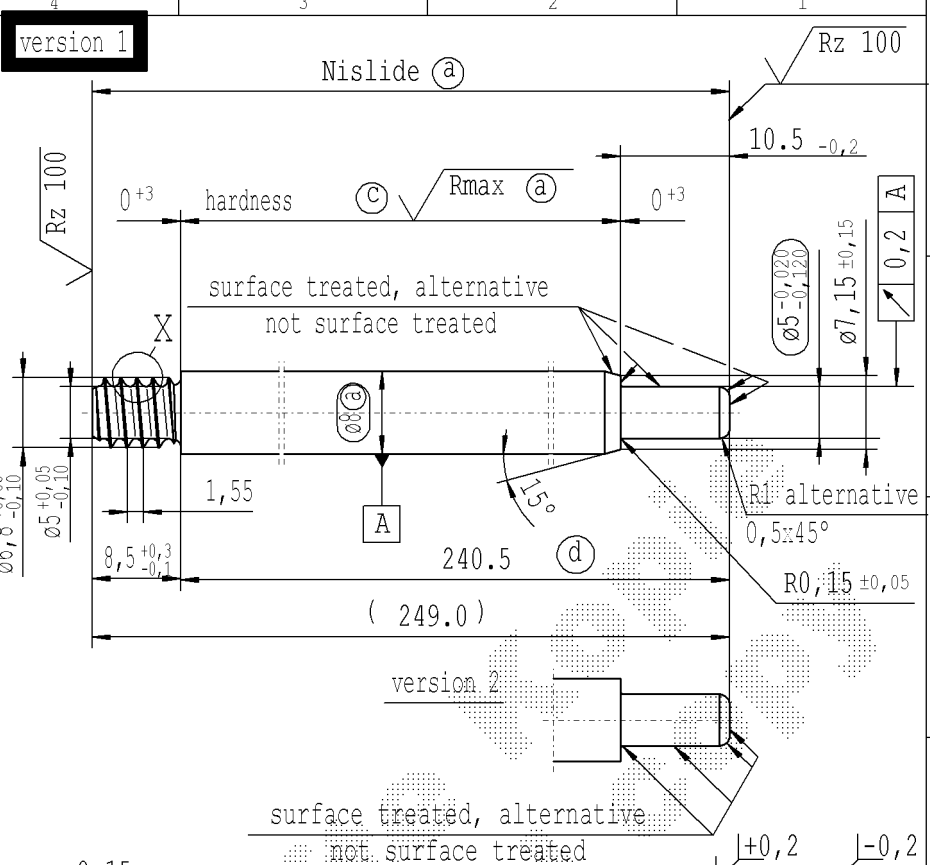


Ident. Doc.: SN 2663CB@ms11.dsr: 14/11/2022 - 7:16

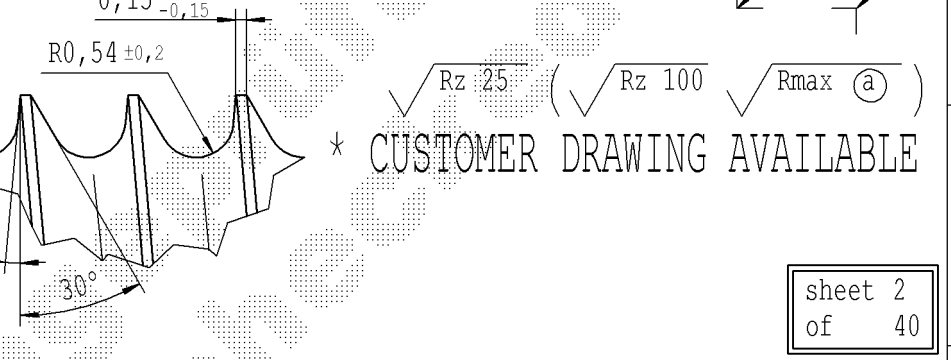
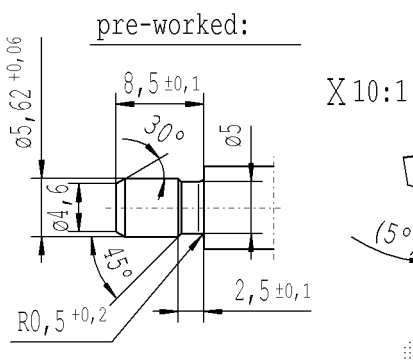
The print-out is not subject to the modification service.

Intended for internal and supplier use

supp No.	material no.				KOST without surface treatment	overall length	stud length piston side	length without endfitting stud	version	only tab. IV allowable
	table IV Nislide black for STUS / STM acc. STAB-Spec. 10210309	table V Nislide light	table VIII Nislide black polished	table X Nislide "G"						
18	2872FS			2872FS	216.0	10.5	207.5	1		
19				3564IP	264.0	10.5	255.5	1		
20			3086FN		252.0	10.5	243.5	1		
21	2907FB			2907FB	210.0	10.5	201.5	1		
22	2956FD			2956FD	300.0	10.5	291.5	1		
23	2984FW			2984FW	307845	144.0	10.5	135.5	1	
24	3018FS				246.0	10.5	237.5	1	x	
25	3022EP			3022EP	150.0	10.5	141.5	1		
26	3025FA			3025FA	249.0	10.5	240.5	1		
27	3027FR				303.0	10.5	294.5	1	x	
28	3054FO			3054FO	123.0	10.5	114.5	1		
29	3244FG			3244FG	276.0	11.5	267.5	2		
30	3079FE	3257TK		3079FE	177.0	10.5	168.5	1		
31	2896FN				225.0	10.5	216.5	1	x	
32	3104FK			3104FK	204.0	10.5	195.5	1		
33	3127FK			3127FK	294.0	10.5	285.5	1		
34	3156FY				186.0	10.5	177.5	1	x	



- (a) piston rod processing acc. STAB-Spec. 10006248 for piston rods without surface treatment grinding dimension $-0,046$ $-0,057$ Rmax after grinding $\leq 1,5 \mu m$
- (c) before grinding: Hardness depth and hardness test acc. to STAB-Spec. 10258370
- (d) tolerances: $+0,2$ after turning $-0,1$ after straightening $+0,3$ after nisliding



* CUSTOMER DRAWING AVAILABLE

sheet 2 of 40

DE: X				EN: X				ES: X				IT: X				PR: X				FR: X				RO: X				Material: mat.no.: 010731				All dimensions are in mm				Marking of special characteristics according to STAB-Spec. 10270932				Date: 08.11.1999				Name: Mohrs			
new				= acc. STAB-Spec. 10258370				FN parts removed-				-				(5%) no technical change, no new first sample required				Surface finish: DIN EN ISO 1302				Scale: (Original DIN A3) 2:1				Dimensions without tolerances DIN ISO 2768 mK				Checked: 31.03.2021				Klinkner											
old				= RHT 0,4 0,7 mm				Pos. number changed				AG 008/14				5°				Edge tolerances acc. to DIN ISO 13715				We reserve all rights to this document, to any patents or patent registrations related hereto, and to the duplication, retransmission by third parties and misc. use. Any use of this document is not permitted without the written consent of STABILUS.				Document No.: 10001245				Material No.:															
Field				B 7-8				-				B2				B/4-5				Registries: Zchng: gdt; Nr. v. 17.12.1998				STABILUS				PISTON ROD																			
Date/Name				17.04.2019 Donat				22.04.2020 Höfer				31.03.2021 Hein																																			
Chg. No.				677953				688065				696924																																			
Rev.				80				81				81																																			