

The print-out is not subject to the modification service.

Intended for internal and supplier use

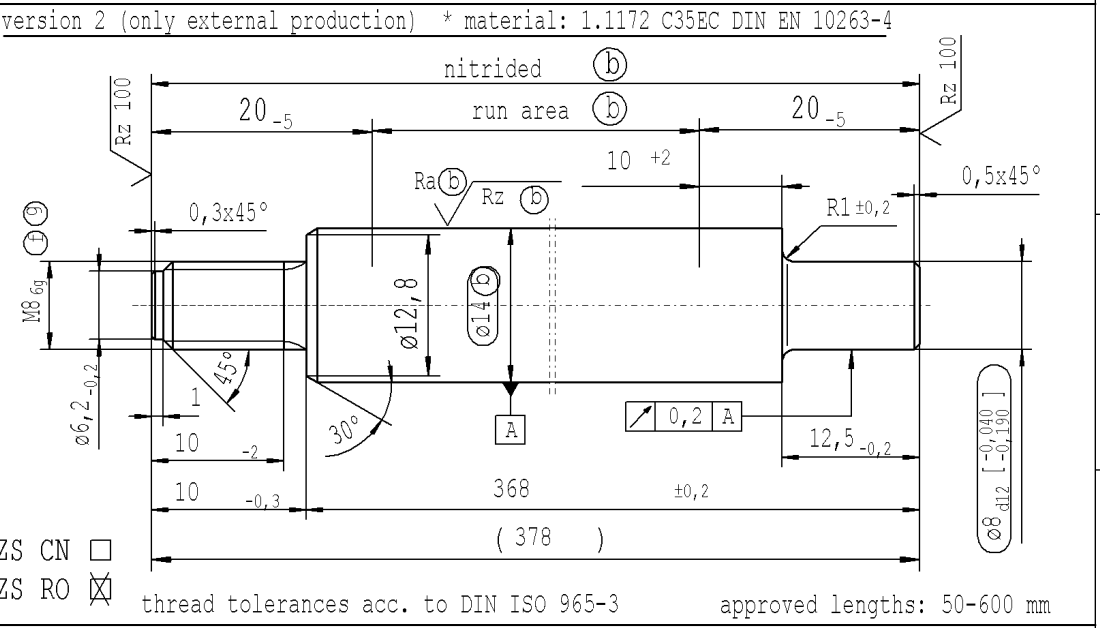
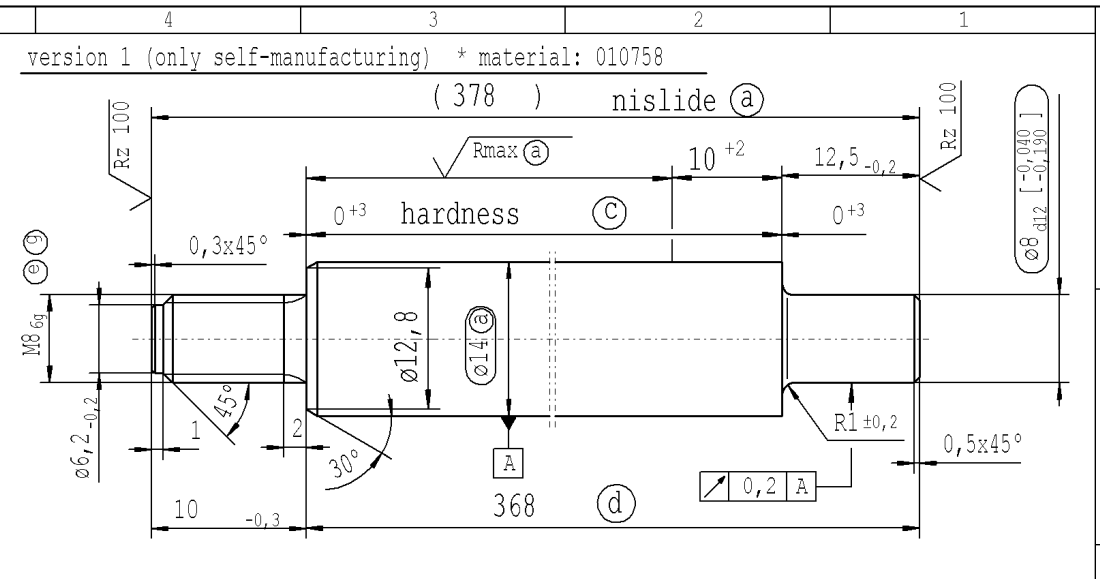
EN

Ident. Doc.:
Date: 31.07.2023 9:12
Date: 31.07.2023 / 09:12:51 ***** Ausdruck nicht massgetreu *****

supp. No.	material no.			A	B	D	E
	10006248 Tab. IV version 1	10006248 Tab. X version 1	10028959 Tab. I version 2	overall length	thread length	length without $\sqrt{R_{max}}$ without R_z	length without endfitting stud
46	115493		115493	309	10	22	299
47	116449		116449	267	10	22	257
48	116927		116927	243	10	22	233
49	117644		117644	186	10	22	176
50	124814		124814	558	10	10	548
51	125292		125292	216	10	22	206
52	136047		136047	276	10	22	266
53	137003		137003	210	10	22	200
54	138915		138915	531	10	10	521
55	139393		139393	537	10	10	527
56	139871		139871	345	10	22	335
57	140827		140827	195	10	22	185
58	141544		141544	378	10	10	368
59	142022		142022	543	10	22	533
60	142500		142500	261	10	22	251

- Ⓒ before grinding: Hardness depth and hardness test acc. to STAB-Spec. 10258370
- Ⓓ tolerances: $\pm 0,3$ after turning
 $\pm 0,3$ after straightening
 $\pm 0,3$ after nisliding
- Ⓔ threaded stud rough-turned dim. $\varnothing 7,14_{-0,06}$
thread roll tolerance 6e
thread tolerances acc. to DIN ISO 965-3
- Ⓕ rough-turned dim. thread roll tolerance 6e
- Ⓖ In the final condition, the actual profile of the thread must not exceed the maximum material limit for the tolerance zone position h at any point

Caution!
for twin-seal dim. $D=10^{+2}$



ZS CN
ZS RO thread tolerances acc. to DIN ISO 965-3 approved lengths: 50-600 mm

AIAG CQI-standards acc. to STAB-Spec. 10027692				Environmental protection acc. to STAB-Spec. 10005649			
DE: X	EN: X	ES:	IT:	PR:	FR:	RO: X	CAD created document handwritten changes not permitted
new	INITIAL RELEASE	dimension B $-_2$					
old	-	2					
Field	-	C/4					
Date/Name	25.04.2022 Hein	29.09.2022 Hein					
Chg. No.	-	715727					
Rev.	0	1					
Material: *				All dimensions are in mm		Marking of special characteristics according to STAB-Spec. 10270932	
Edge tolerances acc. to DIN ISO 13715				Scale: (Original DIN A3) 2:1		Dimensions without tolerances DIN ISO 2768 mK	
Surface finish DIN EN ISO 1302				We reserve all rights to this document, to any patents or patent registrations related hereto, and to the duplication, retransmission by third parties and misc. use. Any use of this document is not permitted without the written consent of STABILUS.		Document No.: 10306457	
Replaces:				Material No.:		Material No.:	
STABILUS				PISTON ROD			

sheet 4
of 5