

The print-out is not subject to the modification service.

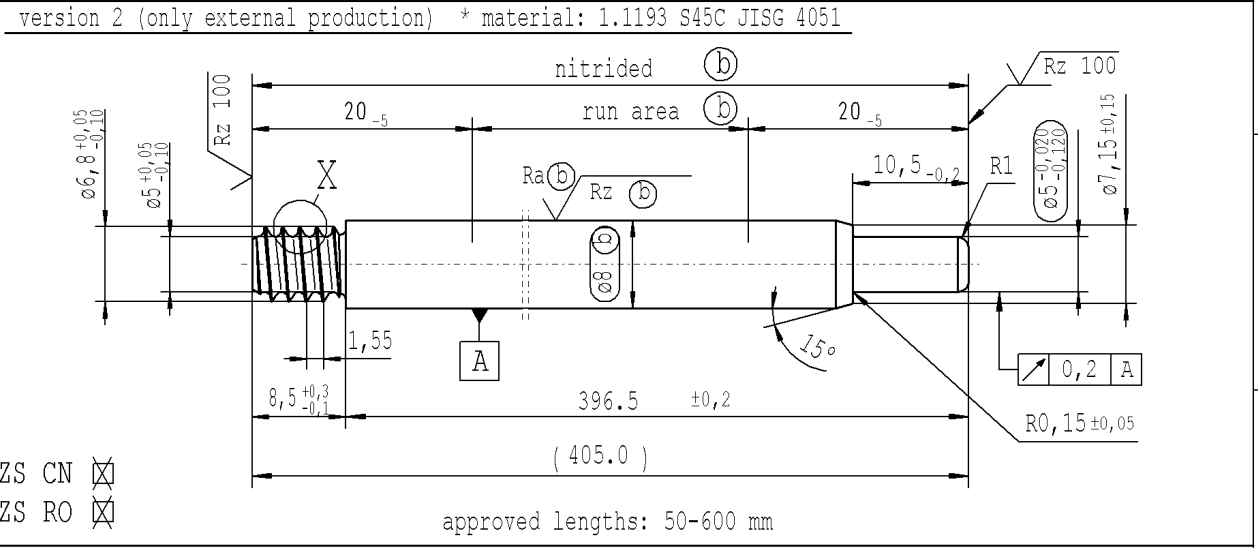
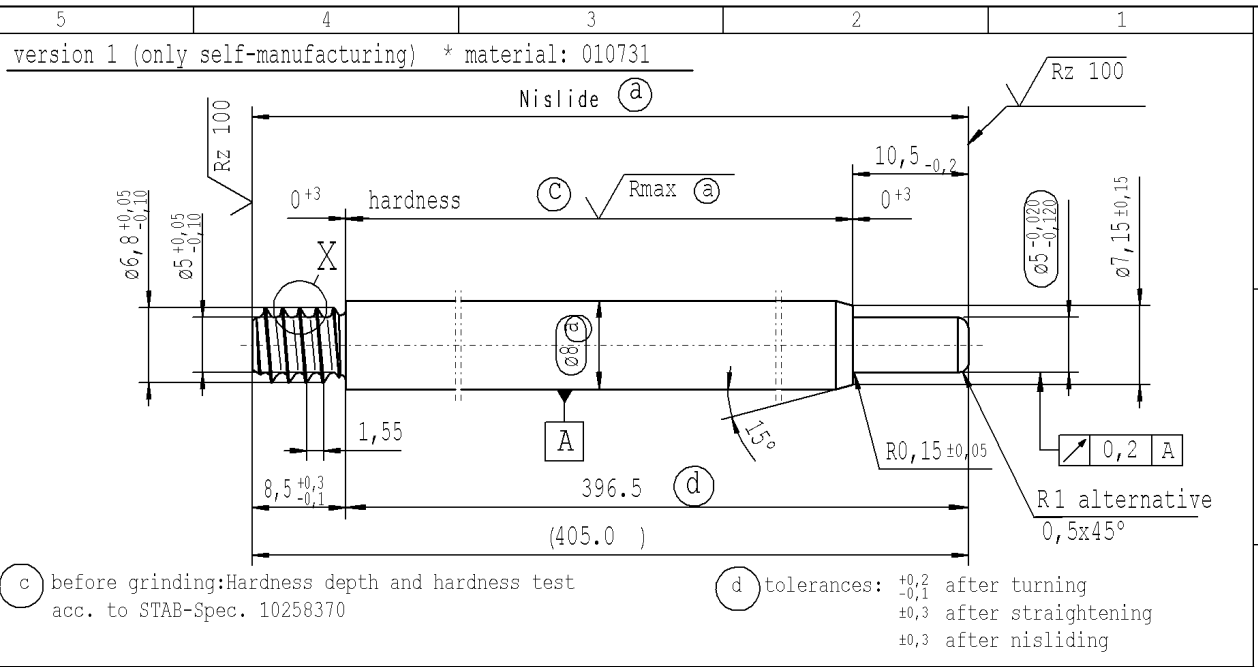
Intended for internal and supplier use

EN

Brevet.datum: 24/03/2022 - 7:45

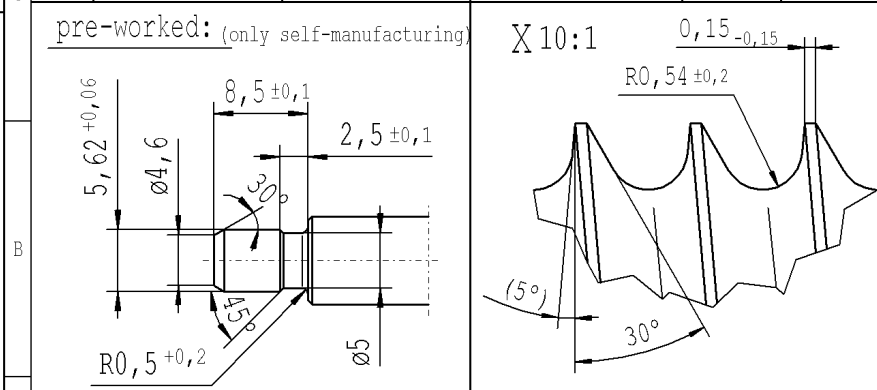
Ident. Doc.:

supp No.	material no.			A	E
	processing and surface treatment acc. to STAB-Spec. 10006248 Tab. XVI optimized version 1	10006248 Tab. X version 1	10028959 Tab. I version 2	overall length	length without endfitting stud
347	857822	857822	857822	137.5	129.0
348	862602	862602	862602	130.0	121.5
349	866187	866187	866187	211.0	202.5
350	889370	889370	889370	199.0	190.5
351	890565	890565	890565	186.5	178.0
352	902993	902993	902993	151.0	142.5
353	904188	904188	904188	405.0	396.5
354	945774	945774	945774	137.0	128.5
355	962026	962026	962026	420.0	411.5
356	975410	975410	975410	236.5	228.0
357	975888	975888	975888	280.0	271.5
358	977800	977800	977800	528.0	519.5
359	048330	048330	048330	164.0	155.5
360	050481	050481	050481	219.5	211.0
361	074859	074859	074859	291.5	283.0
362	076054	076054	076054	190.0	181.5
363	096130	096130	096130	197.5	189.0
364	104734	104734	104734	293.5	285.0
365	128873	128873	128873	134.0	125.5



$\sqrt{Rz\ 25}$ ($\sqrt{Rz\ 100}$ \sqrt{Rmax} (a) Ra (b) Rz (b)) ± 0.2 -0.2

sheet 17 of 19



AIAG CQI-standards acc. to STAB-Spec. 10027692				Environmental protection acc. to STAB-Spec. 10005649			
DE: X	EN: X	ES:	IT:	PR: X	FR:	RO: X	
CAD created document handwritten changes not permitted				Material: *			
new Tab XVI no technical change, no new first sample required				All dimensions are in mm			
old Tab IV				Marking of special characteristics according to STAB-Spec. 10270932			
Field F 8				Scale: (Original DIN A3) 2:1			
Date/Name 12.08.2021 Donat				Surface finish DIN EN ISO 1302			
Chg. No. 699704				Replaces:			
Rev. 21				We reserve all rights to this document, to any patents or patent registrations related hereto, and to the duplication, retransmission by third parties and misc. use. Any use of this document is not permitted without the written consent of STABILUS.			
				STABILUS			
				PISTON ROD			
				Date 05.12.2007 Name Höfer Drawn by Checked 11.03.2022 Klinkner Document No.: 10151065 Material No.:			