

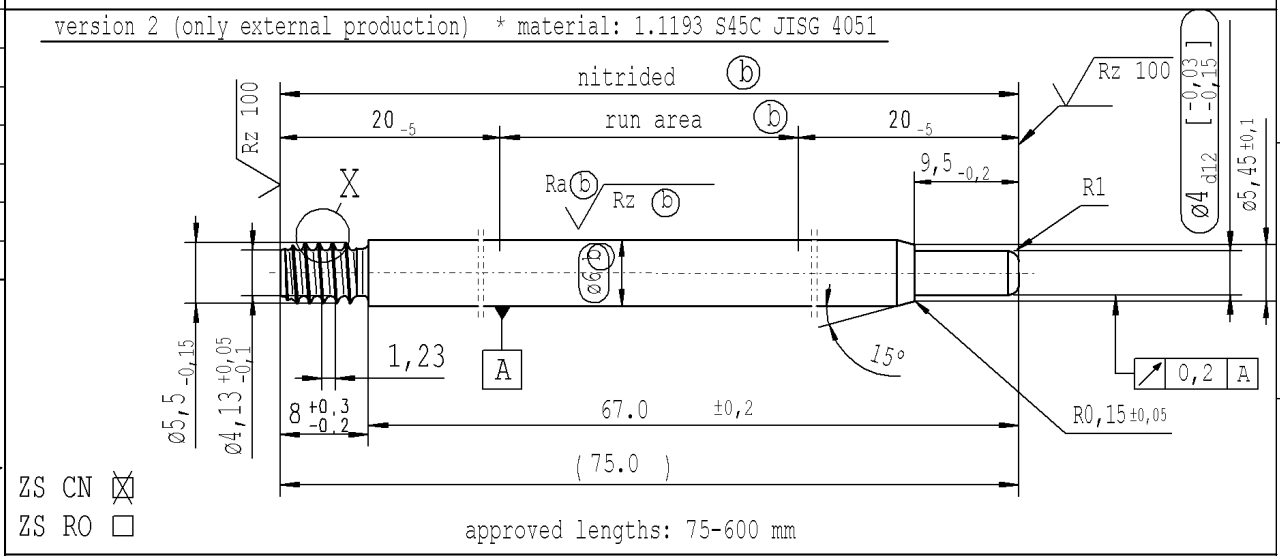
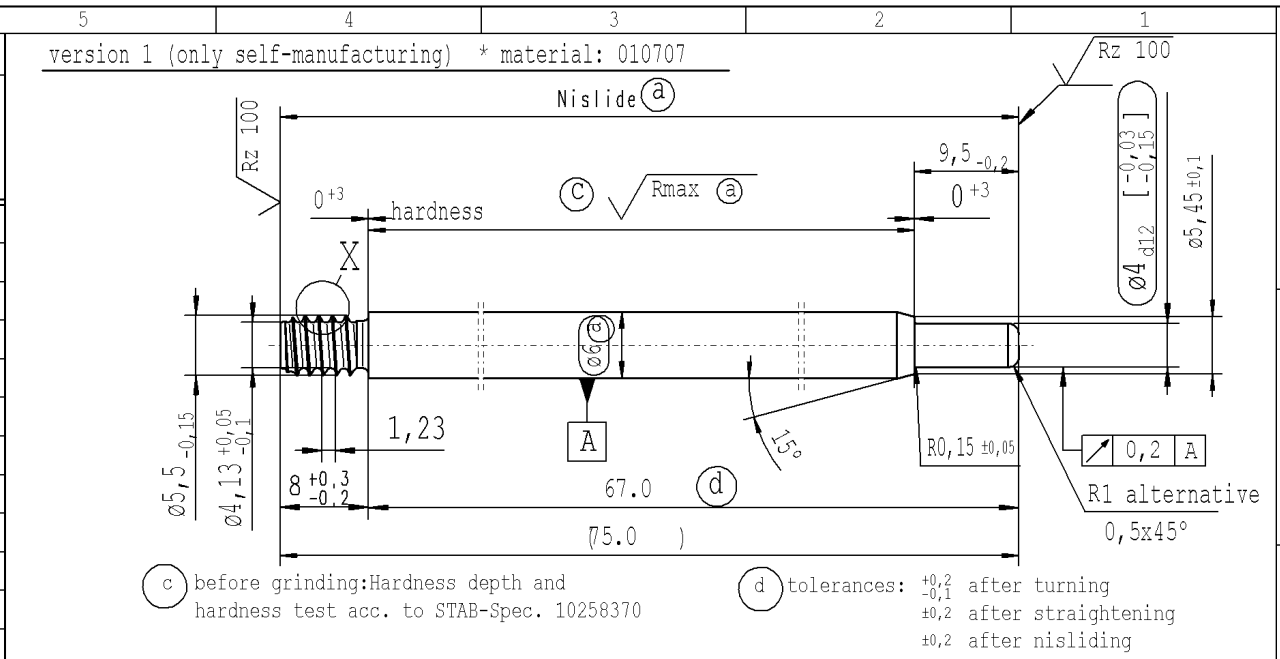
The print-out is not subject to the modification service.

Intended for internal and supplier use

EN

Ident. Doc.:
Date/Name
Chg. No.
Rev.

supp No.	material no.			A	E
	processing and surface treatment acc. to STAB-Spec.			overall length	length without endfitting stud
	10006248 Tab. XVI optimized version 1	10006248 Tab. X version 1	10028959 Tab. I version 2		
98	376958	376958	376958	86.5	78.5
99	378153	378153	378153	134.5	126.5
100	379348	379348	379348	96.0	88.0
101	380065	380065	380065	113.0	105.0
102	384606	384606	384606	255.0	247.0
103	385084	385084	385084	230.0	222.0
104	386518	386518	386518	135.0	127.0
105	387235	387235	387235	167.5	159.5
106	388669	388669	388669	90.0	82.0
107	390103	390103	390103	63.0	55.0
108	390820	390820	390820	261.0	253.0
109	391537	391537	391537	93.0	85.0
110	392971	392971	392971	118.0	110.0
111	393688	393688	393688	89.5	81.5
112	394405	394405	394405	75.0	67.0
113	394883	394883	394883	112.0	104.0
114	395361	395361	395361	88.0	80.0
115	395839	395839	395839	233.0	225.0
116	396556	396556	396556	60.0	52.0



$\sqrt{Rz\ 25}$ ($\sqrt{Rz\ 100}$ \sqrt{Rmax} (a) Ra (b) Rz (b)) $\pm 0,2$ $\pm 0,2$

AIAG CQI-standards acc. to STAB-Spec. 10027692		Environmental protection acc. to STAB-Spec. 10005649	
DE: X	EN: X	ES:	IT:
new	approved lengths: 75-600mm (5°) ZS CN / ZS RO	FR: X	CAD created document handwritten changes not permitted
old	approved lengths: 80-600mm 5°	RO: X	Tab.XVI Tab. X no technical change, no new first sample required
Field	B/3-4 B/5-7		Tab.IV
Date/Name	08.09.2022 Hein		10.10.2022 Jablonski
Chg. No.	692998		715956
Rev.	11		11

Material:	*	All dimensions are in mm	Marking of special characteristics according to STAB-Spec. 10270932	Date	07.12.2007	Name	Höfer
Edge tolerances acc. to DIN ISO 13715		Scale: (Original DIN A3) 2:1	Dimensions without tolerances DIN ISO 2768-mK	Checked	10.10.2022	Schnass	
Surface finish	DIN EN ISO 1302	We reserve all rights to this document, to any patents or patent registrations related hereto, and to the duplication, retransmission by third parties and misc. use. Any use of this document is not permitted without the written consent of STABILUS.		Document No.:	10151336		
Replaces:		STABILUS		Material No.:			