

The print-out is not subject to the modification service.

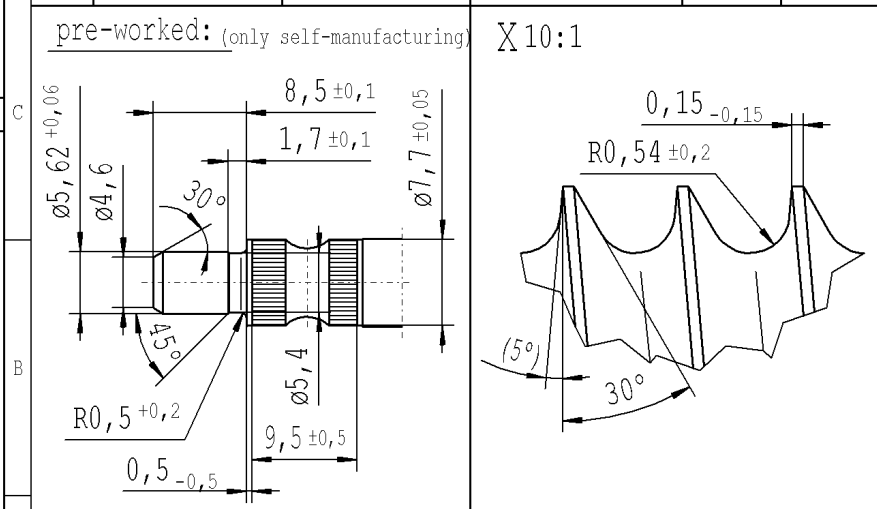
Intended for internal and supplier use

EN

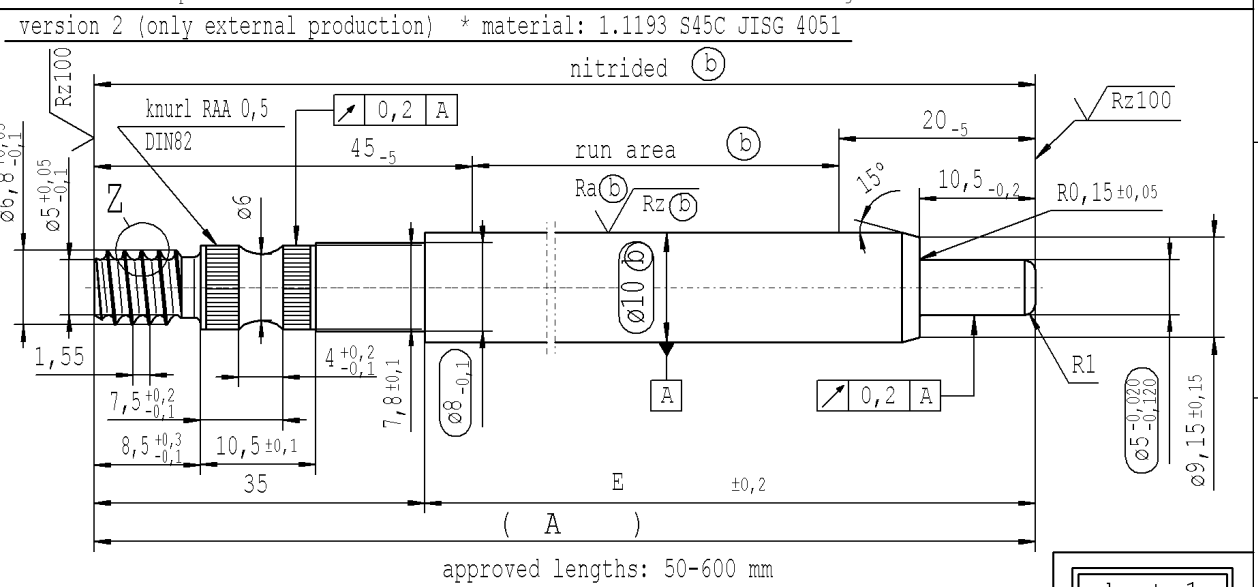
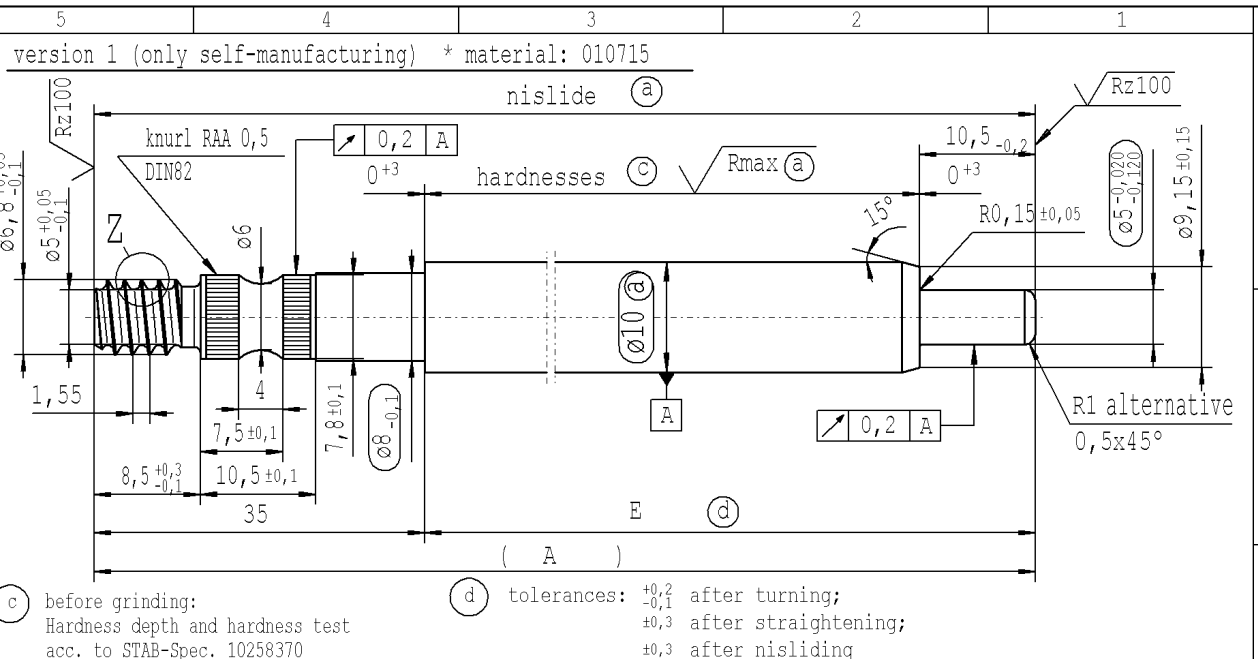
Brevet.datum: 2/9/2022 - 9:41

Ident. Doc.:

supp No.	material no.			A	E
	10006248 Tab. IV version 1	10006248 Tab. X version 1	10028959 Tab. I version 2	overall length	length without endfitting stud
1	194834	194834	194834	420	385
2	159943	159943	159943	282	247
3	698410	698410	698410	369	334
4	699366	699366	699366	588	553
5	700322	700322	700322	480	445
6	701278	701278	701278	429	394
7	701756	701756	701756	468	433
8	702712	702712	702712	288	253
9	703190	703190	703190	243	208
10	704146	704146	704146	342	307
11	705102	705102	705102	276	241
12	705580	705580	705580	188	153
13	706058	706058	706058	174	139
14	713467	713467	713467	300	265
15	714184	714184	714184	324	289
16	714662	714662	714662	216	181



AIAG CQI-standards acc. to STAB-Spec. 10027692							Environmental protection acc. to STAB-Spec. 10005649				
DE: X	EN: X	ES:	IT:	PR:	FR:	RO: X	CAD created document; handwritten changes not permitted				
new	INITIAL RELEASE		4 ^{+0,2} / _{-0,1} / 7,5 ^{+0,2} / _{-0,1}				Material: *				
old	-		4 / 7,5 ± 0,1				All dimensions are in mm				
Field	-		C4 / B5				<input type="checkbox"/> Marking of special characteristics according to STAB-Spec. 10270932 <input type="checkbox"/> Dimensions without tolerances DIN ISO 2768-mK				
Date/Name	10.05.2021 Hein		01.09.2022 Jablonski				Scale: (Original DIN A3) 2:1				
Chg. No.	-		714769				We reserve all rights to this document, to any patents or patent registrations related hereto, and to the duplication, retransmission by third parties and misc. use. Any use of this document is not permitted without the written consent of STABILUS.				
Rev.	0		1				Document No.: 10293644 Material No.:				



<input type="checkbox"/> Rz 25 (<input type="checkbox"/> Rz 100 <input type="checkbox"/> Rmax (a) <input type="checkbox"/> Ra (b) <input type="checkbox"/> Rz (b)		<input type="checkbox"/> +0,2 <input type="checkbox"/> -0,2		sheet 1 of 2	
STABILUS		PISTON ROD			