

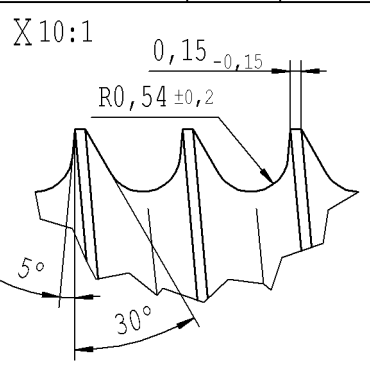
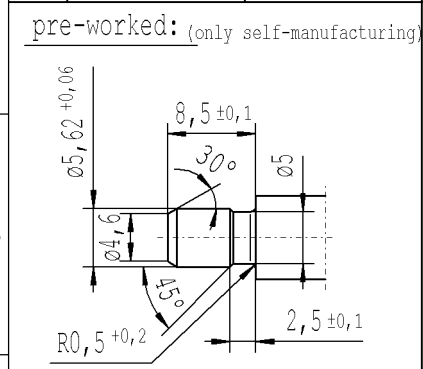
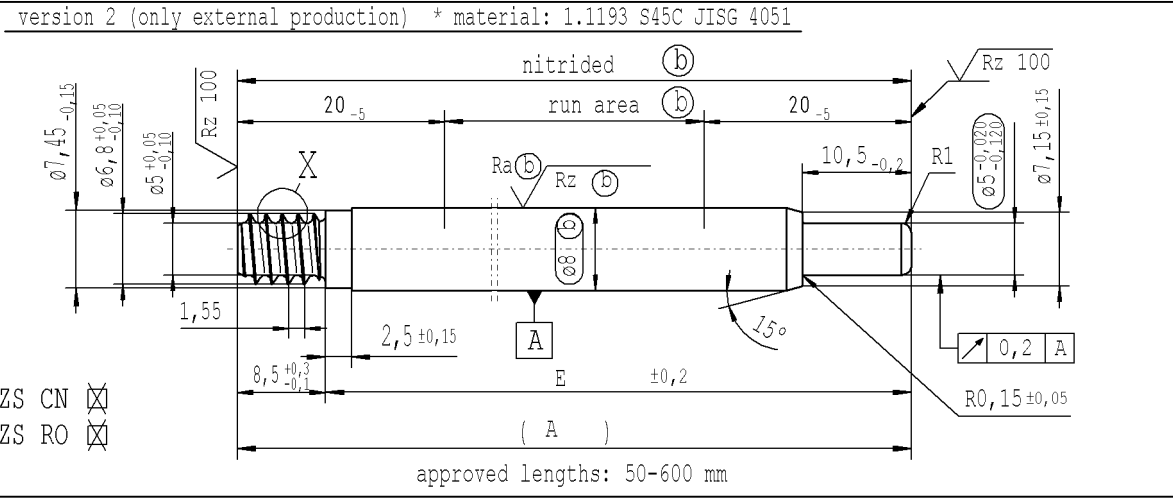
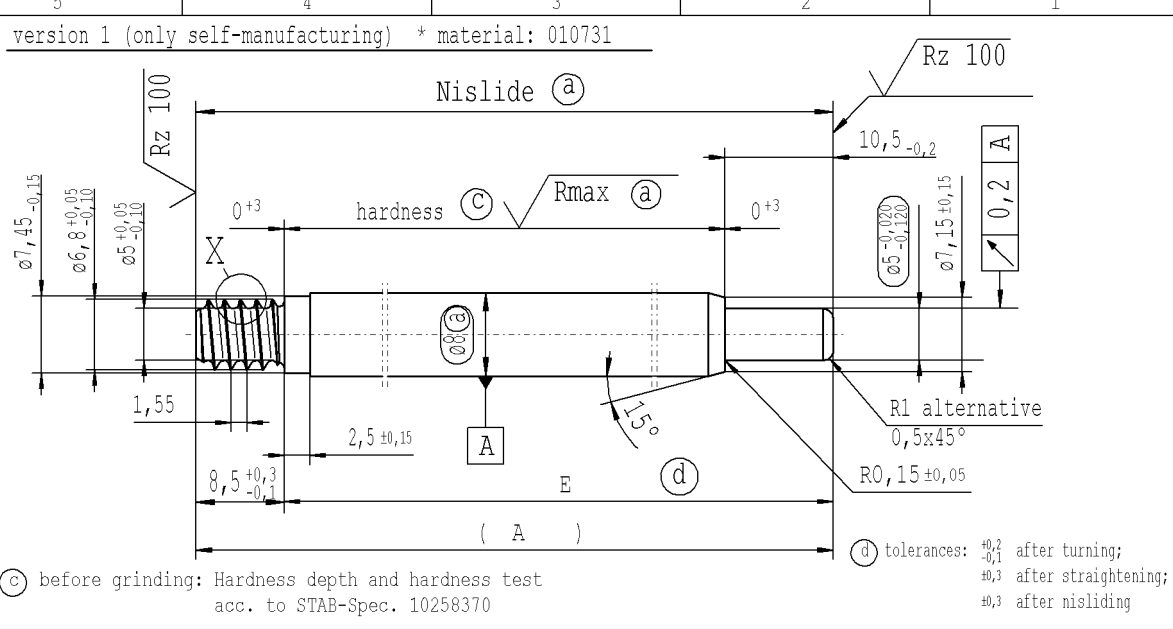
The print-out is not subject to the modification service.

Intended for internal and supplier use

Ident. Doc.: EFFE011.docx: 18/12/2023 - 12:14

supp No.	material no.			A	E
	processing and surface treatment acc. to STAB-Spec. 10006248 Tab. XVI optimized	10006248 Tab. X	10028959 Tab. I		
	(a) version 1	(a) version 1	(b) version 2	overall length	length without endfitting stud
1	463221		463221	270	261.5
2	525852	525852	525852	240	231.5
3	299520	299520	299520	270	261.5
4	338477	338477	338477	159	150.5
5	341345	341345	341345	207	198.5
6	464669	464669	464669	312	303.5
7	760792	760792	760792	153	144.5
8	129116	129116	129116	294	285.5
9	215156	215156	215156	171	162.5
10	216112	216112	216112	276	267.5
11	228062	228062	228062	261	252.5

xx | xxxxxx | xxxxxx | xxxxxx | 276 | 267,5



√ Rz 25 (√ Rz 100 √ Rmax ⓐ Ra ⓑ Rz ⓑ) $\begin{matrix} \swarrow +0,2 \\ \searrow -0,2 \end{matrix}$ sheet 1 of 1

AIAG CQI-standards acc. to STAB-Spec. 10027692				Environmental protection acc. to STAB-Spec. 10005649				
DE: X	EN: X	ES:	IT:	PR: X	FR:	RO: X	Material: *	
new	INITIAL RELEASE	ⓐ = acc. STAB-Spec. 10258370			new format Internal/Supplier	surface treatm. revised	All dimensions are in mm	
old	-	ⓐ = RHT 0,4 ... 0,7 mm			Supplier drawing separately	-	Marking of special characteristics according to STAB-Spec. 10270932	
Field	-	B 7-8			-	-	Scale: (Original DIN A3) 2:1	
Date/Name	15.03.2019 Höfer	18.04.2019 Höfer	25.09.2020 Hein	25.03.2022 Jablonski	-	-	Dimensions without tolerances DIN ISO 2768 mK	
Chg. No.	-	678037	691477	708863	-	-	We reserve all rights to this document, to any patents or patent registrations related hereto, and to the duplication, retransmission by third parties and misc. use. Any use of this document is not permitted without the written consent of STABILUS.	
Rev.	0	1	2	3	STABILUS			Document No.: 10263518
							PISTON ROD	Material No.:

