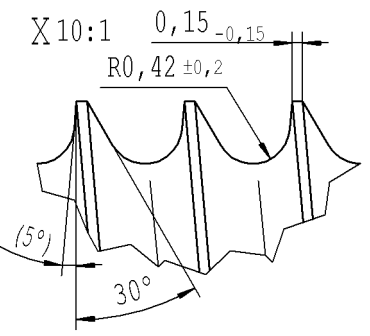
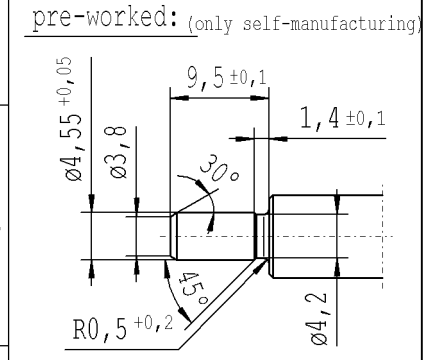
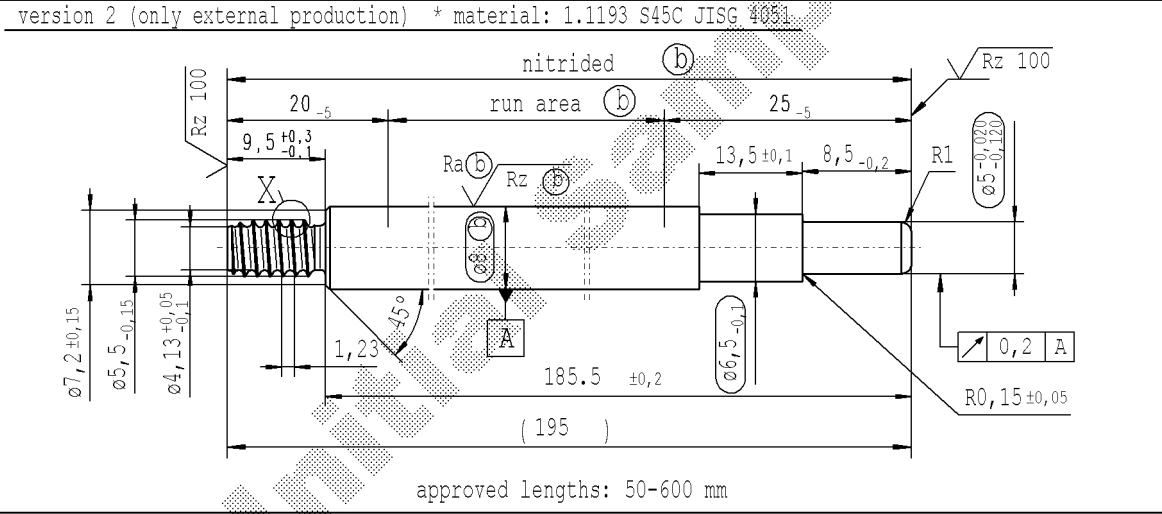
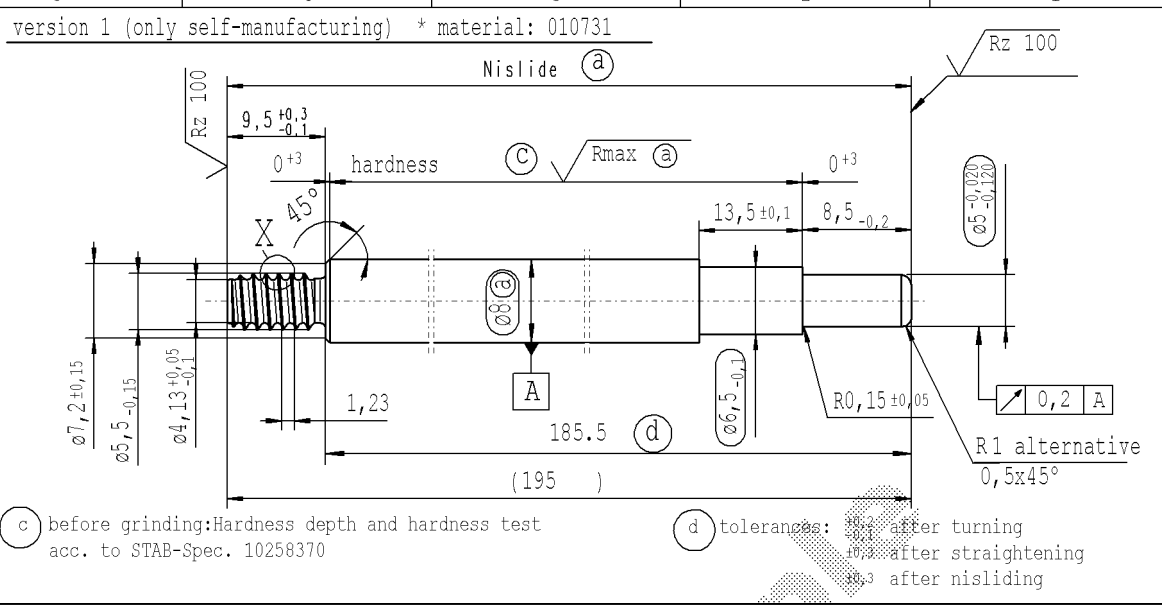


The print-out is not subject to the modification service.

Intended for internal and supplier use

Ident. Doc.: EFFE111.docx: 28/4/2022 - 12:13

supp No.	material no.			A	E
	10006248 Tab. XVI optimized version 1	10006248 Tab. X version 1	10028959 Tab. I version 2		
1	478528	478528	478528	222	212.5
2	611653	611653	611653	189	179.5
3	676422	676422	676422	195	185.5
4	877660	877660	877660	129	119.5



AIAG CQI-standards acc. to STAB-Spec. 10027692										Environmental protection acc. to STAB-Spec. 10005649									
DE: X	EN: X	ES:	IT:	PR:	FR:	RO: X	CAD created document handwritten changes not permitted			Material:	*	All dimensions are in mm		Marking of special characteristics according to STAB-Spec. 10270932		Drawn by	Date	Name	
new	Initial Release											Scale: (Original DIN A3) 2:1		Dimensions without tolerances DIN ISO 2768-mK		Checked	21.10.2021	Hein	
old	-											We reserve all rights to this document, to any patents or patent registrations related hereto, and to the duplication, retransmission by third parties and misc. use. Any use of this document is not permitted without the written consent of STABILUS.							
Field	-											Replaces:							
Date/Name	21.10.2021 Hein											STABILUS		PISTON ROD					
Chg. No.	-																		
Rev.	0																		

sheet 1 of 1