

The print-out is not subject to the modification service.

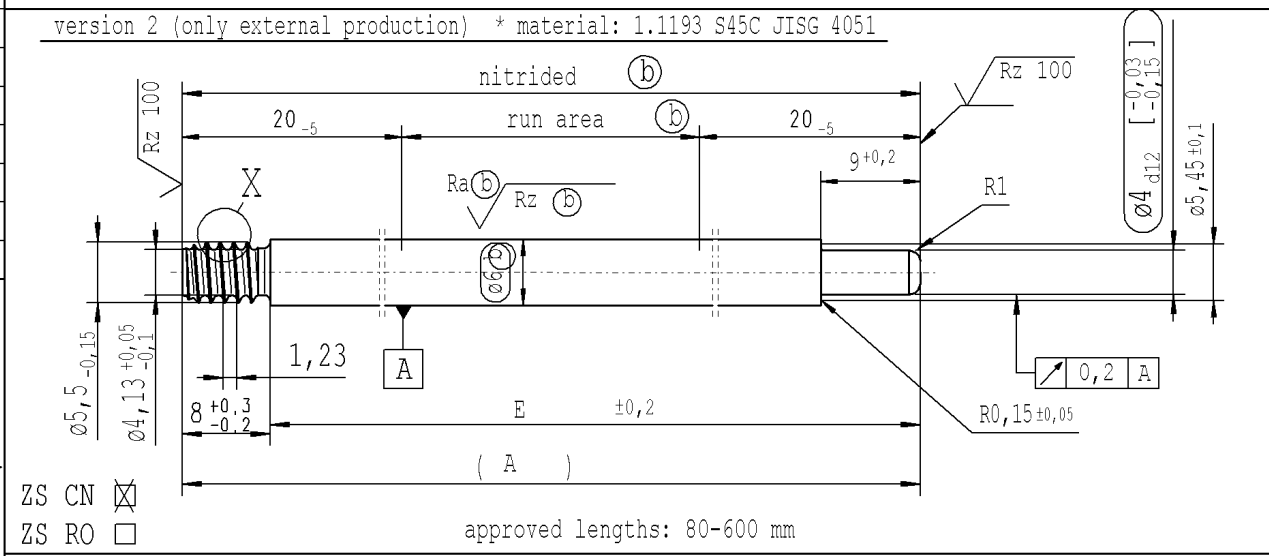
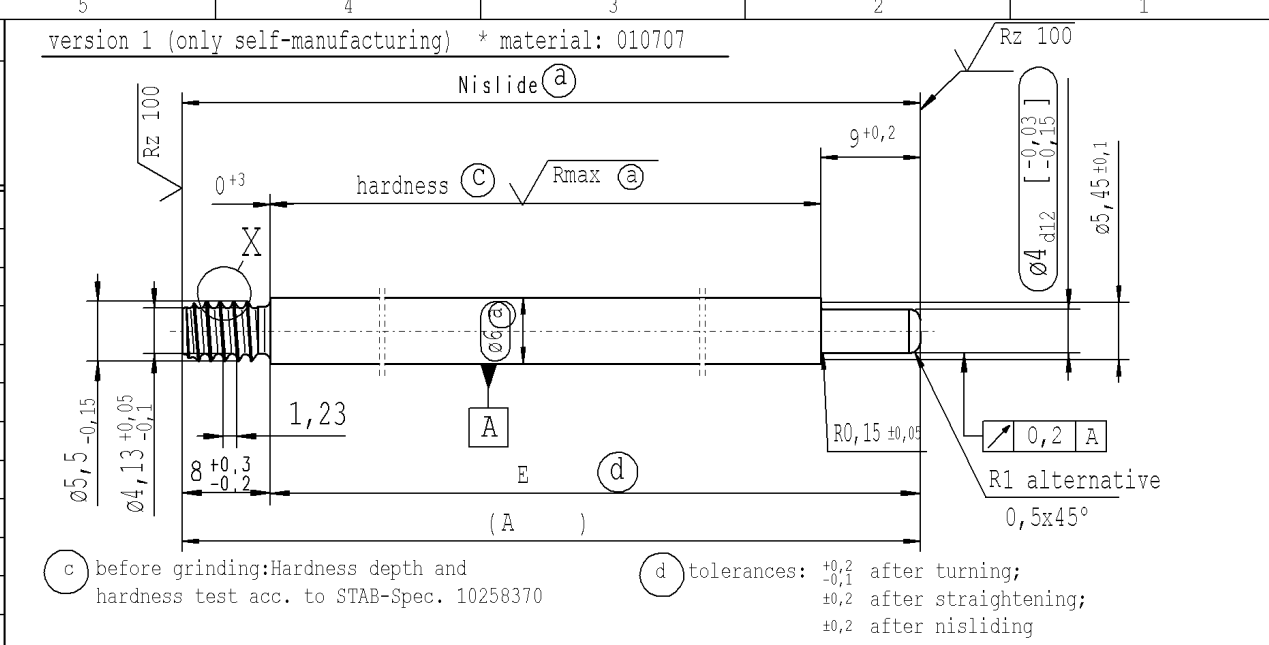
CONFIDENTIAL! Intended for internal and supplier use

EN

B
Date: 10/12/2024 - 13:11

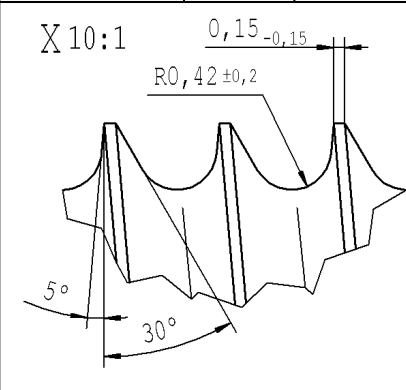
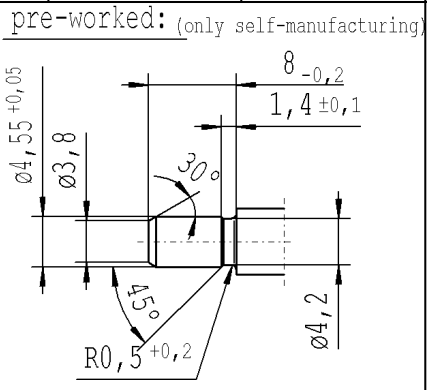
Ident. Doc.:

supp No.	material no.			A	E
	processing and surface treatment acc. to STAB-Spec.			overall length	length without endfitting stud
	10006248 Tab. XVI optimized version 1	10006248 Tab. X version 1	10028959 Tab. I version 2		
40	559554	559554	559554	291.0	283.0
41	560032	560032	560032	198.0	190.0
42	560749	560749	560749	196.0	188.0
43	561227	561227	561227	229.0	221.0
44	561705	561705	561705	69.0	61.0
45	562422	562422	562422	194.5	186.5
46	563856	563856	563856	135.0	127.0
47	564573	564573	564573	231.0	223.0
48	565051	565051	565051	81.0	73.0
49	565768	565768	565768	160.0	152.0
50	567441	567441	567441	97.5	89.5
51	567919	567919	567919	65.0	57.0
52	568397	568397	568397	147.0	139.0
53	569114	569114	569114	138.0	130.0
54	569592	569592	569592	181.0	173.0
55	571265	571265	571265	75.0	67.0
56	450572	450572	450572	78.0	70.0
57	196995	196995	196995	79.0	71.0



ZS CN ZS RO

$\sqrt{Rz\ 25}$ ($\sqrt{Rz\ 100}$ \sqrt{Rmax} (a) Ra (b) Rz (b)) $\pm 0,2$ $\pm 0,2$



AIAG CQI-standards acc. to STAB-Spec. 10027692

DE: X EN: X ES: IT: PR: FR: RO: X				CAD created document; handwritten changes not permitted		Material: *		All dimensions are in mm			Marking of special characteristics according to STAB-Spec. 10270932		
new Tab.XVI; Tab. X; no technical change, no new first sample required				Vers.2: 9 ^{+0,2}				Scale: (Original DIN A3) 2:1			Dimensions without tolerances DIN ISO 2768-mK		
old Tab.IV				Vers.2: 9 _{-0,2}				Edge tolerances acc. to DIN ISO 13715			Document No.: 10177465		
Field -				C2				Surface finish DIN EN ISO 1302			We reserve all rights to this document, to any patents or patent registrations related hereto, and to the duplication, retransmission by third parties and misc. use. Any use of this document is not permitted without the written consent of STABILUS.		
Date/Name 10.10.2022 Jablonski				15.09.2023 Jablonski				Replaces:			Material No.:		
Chg. No. 715932				725945				STABILUS			PISTON ROD		
Rev. 6				7									