

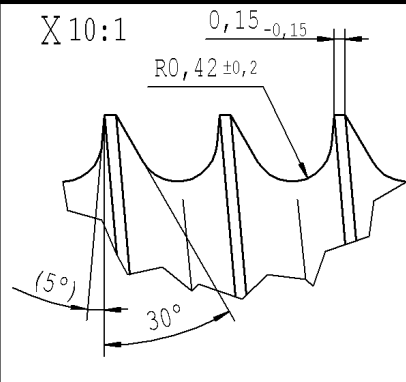
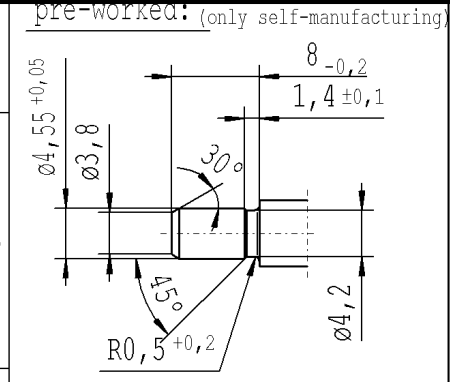
The print-out is not subject to the modification service.

Intended for internal and supplier use

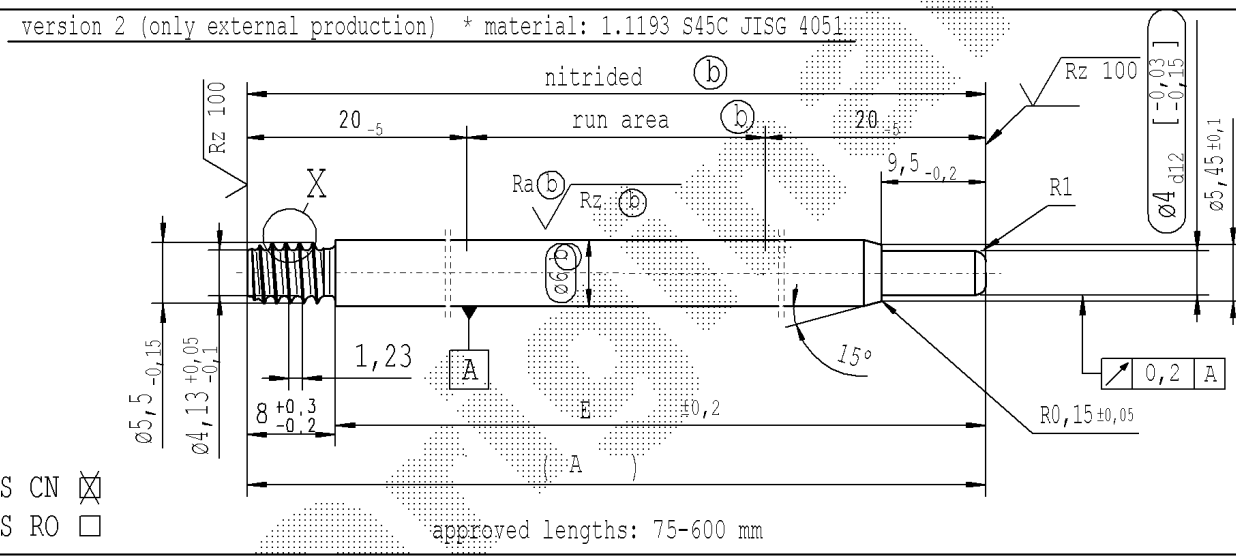
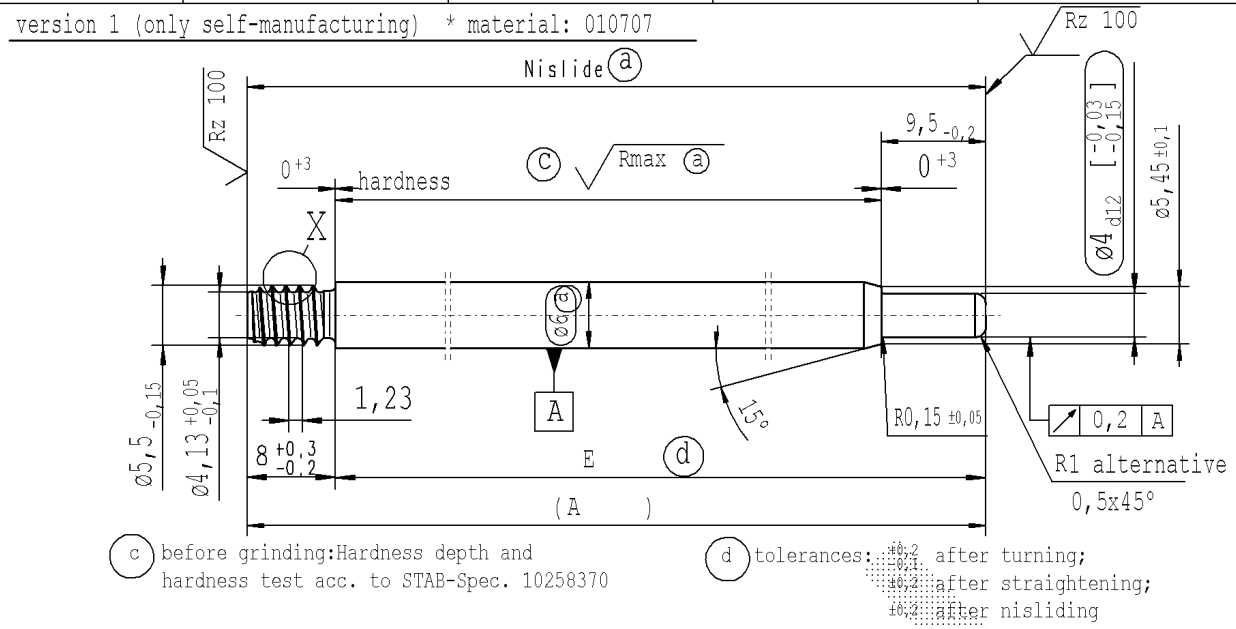
EN

Ident. Doc.:
Date/Name: 08.09.2022 - 13:50

supp No.	material no.			A	E
	processing and surface treatment acc. to STAB-Spec.			overall length	length without endfitting stud
	10006248 Tab. XVI optimized version 1	10006248 Tab. X version 1	10028959 Tab. I version 2		
22	394375	394375	394375	126.0	118.0
23	115702	115702	115702	225.0	217.0
24	129565	129565	129565	186.0	178.0
25	878589	878589	878589	187.5	179.5
26	901533	901533	901533	138.0	130.0
27	432860	432860	432860	267	259.0
28	723723	723723	723723	183.0	175.0
29	914206	914206	914206	171.0	163.0
30	809290	809290	809290	87.0	79.0
31	877405	877405	877405	252.0	244.0
32	989019	989019	989019	157.5	149.5
33	308109	308109	308109	141.0	133.0
34	553086	553086	553086	291.0	283.0
35	650120	650120	650120	117.0	109.0
36	775595	775595	775595	192.0	184.0
37	499551	499551	499551	114.0	106.0
38	642000	642000	642000	81.0	73.0
39	978990	978990	978990	78.0	70.0
40	420448	420448	420448	123.0	115.0



ZS CN
ZS RO



AIAG CQI-standards acc. to STAB-Spec. 10027692

Environmental protection acc. to STAB-Spec. 10005649

DE: X	EN: X	ES:	IT:	PR:	FR:	RO: X	CAD created document; handwritten changes not permitted
new	approved lengths: 75-600mm; (5°); ZS CN / ZS RO			Tab.XVI; Tab. X; no technical change, no new first sample required			
old	approved lengths: 80-600mm; 5°			Tab.IV			
Field	B/3-4; B/5-7			-			
Date/Name	08.09.2022 Hein			10.10.2022 Jablonski			
Chg. No.	692998			715956			
Rev.	11			11			

Material: *

All dimensions are in mm

Scale: (Original DIN A3) 2:1

Surface finish: DIN EN ISO 1302

Replaces:

STABILUS

PISTON ROD

sheet 2 of 7

10151336

Material No.: