

The print-out is not subject to the modification service.

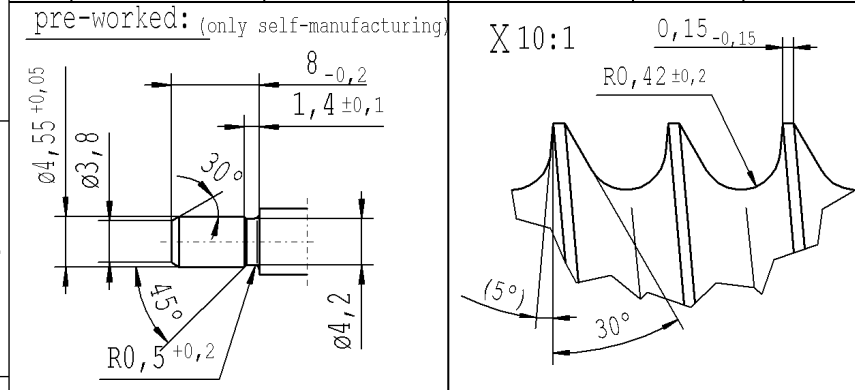
Intended for internal and supplier use

EN

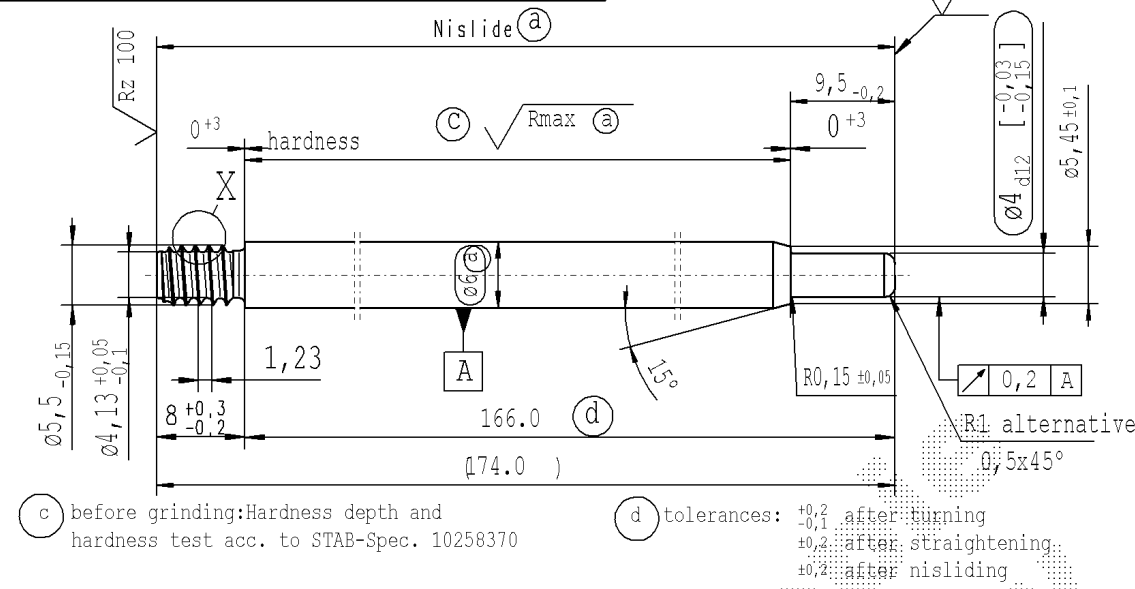
Date: 9/11/2022 - 13:50

Ident. Doc.:

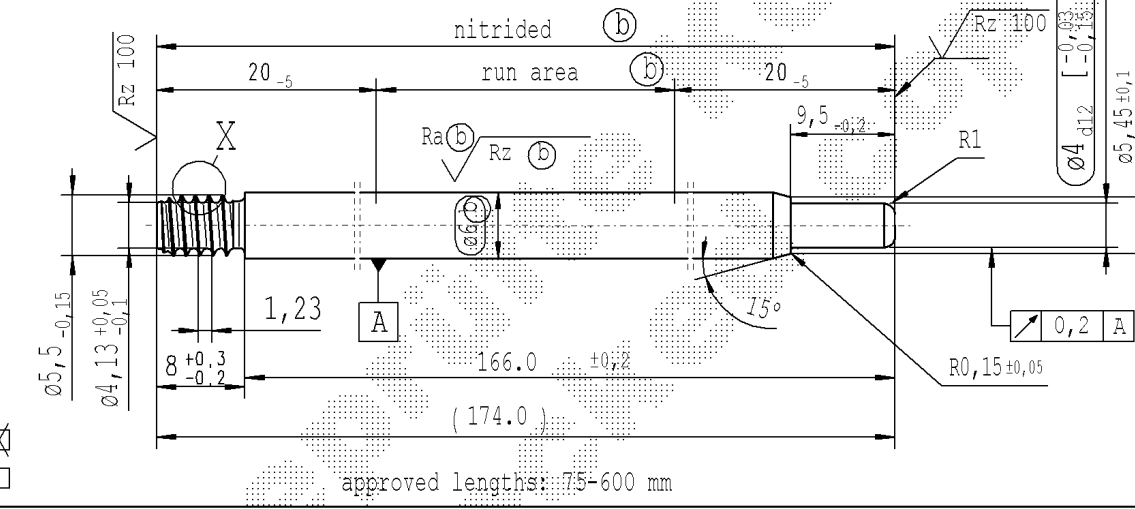
supp No.	material no.			A	E
	processing and surface treatment acc. to STAB-Spec.			overall length	length without endfitting stud
	10006248 Tab. XVI optimized version 1	10006248 Tab. X version 1	10028959 Tab. I version 2		
60	985690	985690	985690	246.0	238.0
61	986407	986407	986407	118.5	110.5
62	987363	987363	987363	58.5	50.5
63	988319	988319	988319	76.5	68.5
64	991426	991426	991426	79.0	71.0
65	992621	992621	992621	72.0	64.0
66	993099	993099	993099	174.0	166.0
67	993577	993577	993577	153.0	145.0
68	998835	998835	998835	219.0	211.0
69	999313	999313	999313	203.5	195.5
70	035905	035905	035905	191.5	183.5
71	036622	036622	036622	80.5	72.5
72	037100	037100	037100	147.0	139.0
73	037817	037817	037817	222.0	214.0
74	039251	039251	039251	128.5	120.5
75	041163	041163	041163	254.5	246.5
76	047138	047138	047138	240.0	232.0
77	048333	048333	048333	145.5	137.5
78	050006	050006	050006	149.5	141.5



version 1 (only self-manufacturing) * material: 010707



version 2 (only external production) * material: 1.1193 S45C JISG 4051



AIAG CQI-standards acc. to STAB-Spec. 10027692										Environmental protection acc. to STAB-Spec. 10005649								
DE: X	EN: X	ES:	IT:	PR:	FR:	RO: X	CAD created document handwritten changes not permitted			Material:	All dimensions are in mm		Marking of special characteristics according to STAB-Spec. 10270932		Date	Name		
new	approved lengths: 75-600mm (5°) ZS CN / ZS RO					Tab.XVI Tab. X no technical change, no new first sample required					*	Scale: (Original DIN A3) 2:1		Dimensions without tolerances DIN ISO 2768-mK		Drawn by	07.12.2007	Höfer
old	approved lengths: 80-600mm 5°					Tab.IV					Edge tolerances acc. to DIN ISO 13715	We reserve all rights to this document, to any patents or patent registrations related hereto, and to the duplication, retransmission by third parties and misc. use. Any use of this document is not permitted without the written consent of STABILUS.		Document No.:		10151336		
Field	B/3-4 B/5-7										Replaces:			Material No.:				
Date/Name	08.09.2022 Hein					10.10.2022 Jablonski												
Chg. No.	692998					715956												
Rev.	11					11												

sheet 4 of 7

STABILUS

PISTON ROD