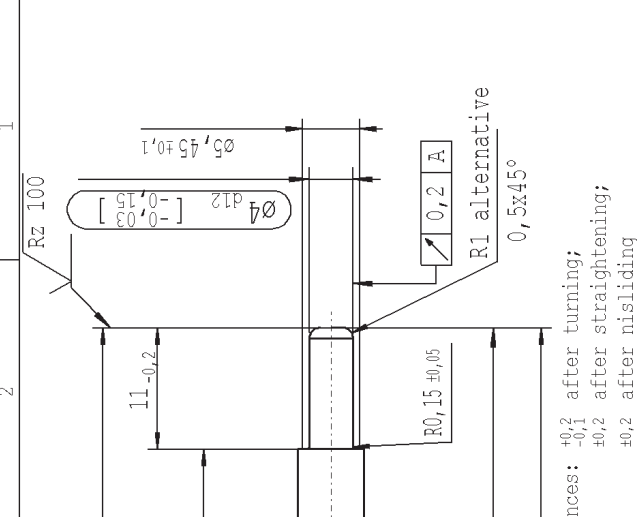
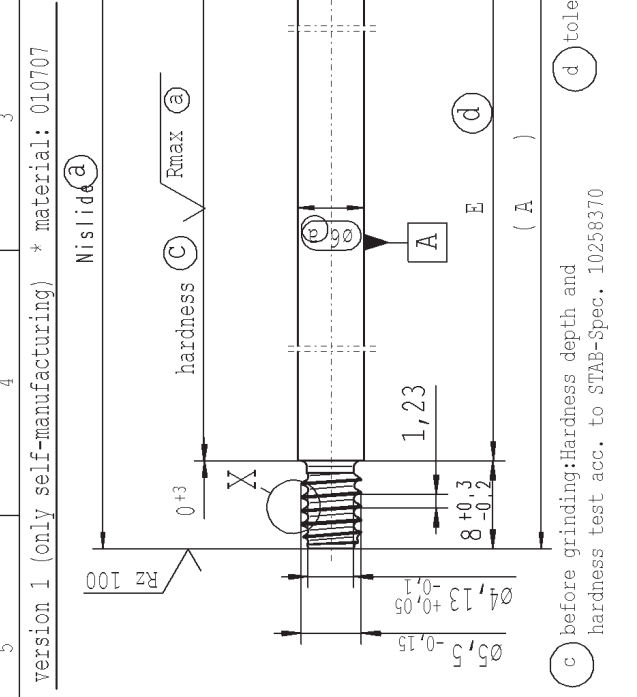
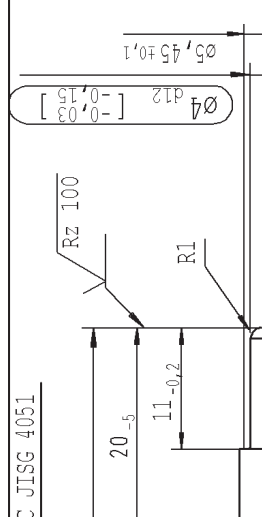
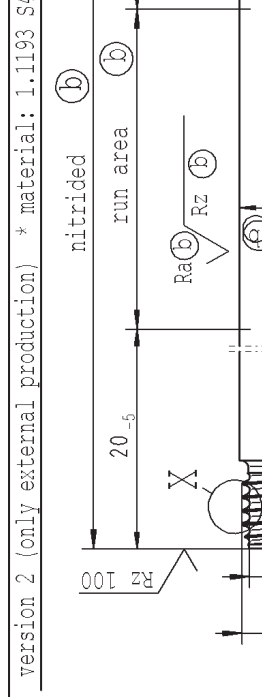


supp No.	material no.	processing and surface treatment acc. to STAB-Spec. 10006248 Tab. X	version 1 (a)	version 2 (b)	overall length	length without endfitting stud
1	143925	10028959 Tab. I	143925	143925	204	196
2	508405		508405	508405	195	187
3	221129		221129	221129	180	172
4	378630		378630	378630	192	184
5	339676		339676	339676	186	178
E	xxxxxx		xxxxxx	xxxxxx	240	232



DE: X	EN: X	ES:	IT:	PR:	FR:	RO: X
new	zS CN / zS RO; no technical change, no new first sample required					
old						
Field	B/5					
Date/Name	16.09.2022 Hehn					
Chg. No.	715301					
Rev.	0					



DE: X	EN: X	ES:	IT:	PR:	FR:	RO: X
new	zS CN / zS RO; no technical change, no new first sample required					
old						
Field	B/5					
Date/Name	16.09.2022 Hehn					
Chg. No.	715301					
Rev.	0					

DE: X	EN: X	ES:	IT:	PR:	FR:	RO: X
new	zS CN / zS RO; no technical change, no new first sample required					
old						
Field	B/5					
Date/Name	16.09.2022 Hehn					
Chg. No.	715301					
Rev.	0					

DE: X	EN: X	ES:	IT:	PR:	FR:	RO: X
new	zS CN / zS RO; no technical change, no new first sample required					
old						
Field	B/5					
Date/Name	16.09.2022 Hehn					
Chg. No.	715301					
Rev.	0					

DE: X	EN: X	ES:	IT:	PR:	FR:	RO: X
new	zS CN / zS RO; no technical change, no new first sample required					
old						
Field	B/5					
Date/Name	16.09.2022 Hehn					
Chg. No.	715301					
Rev.	0					

DE: X	EN: X	ES:	IT:	PR:	FR:	RO: X
new	zS CN / zS RO; no technical change, no new first sample required					
old						
Field	B/5					
Date/Name	16.09.2022 Hehn					
Chg. No.	715301					
Rev.	0					

DE: X	EN: X	ES:	IT:	PR:	FR:	RO: X
new	zS CN / zS RO; no technical change, no new first sample required					
old						
Field	B/5					
Date/Name	16.09.2022 Hehn					
Chg. No.	715301					
Rev.	0					

DE: X	EN: X	ES:	IT:	PR:	FR:	RO: X
new	zS CN / zS RO; no technical change, no new first sample required					
old						
Field	B/5					
Date/Name	16.09.2022 Hehn					
Chg. No.	715301					
Rev.	0					

DE: X	EN: X	ES:	IT:	PR:	FR:	RO: X
new	zS CN / zS RO; no technical change, no new first sample required					
old						
Field	B/5					
Date/Name	16.09.2022 Hehn					
Chg. No.	715301					
Rev.	0					

DE: X	EN: X	ES:	IT:	PR:	FR:	RO: X
new	zS CN / zS RO; no technical change, no new first sample required					
old						
Field	B/5					
Date/Name	16.09.2022 Hehn					
Chg. No.	715301					
Rev.	0					

DE: X	EN: X	ES:	IT:	PR:	FR:	RO: X
new	zS CN / zS RO; no technical change, no new first sample required					
old						
Field	B/5					
Date/Name	16.09.2022 Hehn					
Chg. No.	715301					
Rev.	0					

DE: X	EN: X	ES:	IT:	PR:	FR:	RO: X
new	zS CN / zS RO; no technical change, no new first sample required					
old						
Field	B/5					
Date/Name	16.09.2022 Hehn					
Chg. No.	715301					
Rev.	0					

DE: X	EN: X	ES:	IT:	PR:	FR:	RO: X
new	zS CN / zS RO; no technical change, no new first sample required					
old						
Field	B/5					
Date/Name	16.09.2022 Hehn					
Chg. No.	715301					
Rev.	0					

DE: X	EN: X	ES:	IT:	PR:	FR:	RO: X
new	zS CN / zS RO; no technical change, no new first sample required					
old						
Field	B/5					
Date/Name	16.09.2022 Hehn					
Chg. No.	715301					
Rev.	0					

DE: X	EN: X	ES:	IT:	PR:	FR:	RO: X
new	zS CN / zS RO; no technical change, no new first sample required					
old						
Field	B/5					
Date/Name	16.09.2022 Hehn					
Chg. No.	715301					
Rev.	0					

DE: X	EN: X	ES:	IT:	PR:	FR:	RO: X
new	zS CN / zS RO; no technical change, no new first sample required					
old						
Field	B/5					
Date/Name	16.09.2022 Hehn					
Chg. No.	715301					
Rev.	0					

DE: X	EN: X	ES:	IT:	PR:	FR:	RO: X
new	zS CN / zS RO; no technical change, no new first sample required					
old						
Field	B/5					
Date/Name	16.09.2022 Hehn					
Chg. No.	715301					
Rev.	0					

DE: X	EN: X	ES:	IT:	PR:	FR:	RO: X
new	zS CN / zS RO; no technical change, no new first sample required					
old						
Field	B/5					
Date/Name	16.09.2022 Hehn					
Chg. No.	715301					
Rev.	0					

DE: X	EN: X	ES:	IT:	PR:	FR:	RO: X
new	zS CN / zS RO; no technical change, no new first sample required					
old						
Field	B/5					
Date/Name	16.09.2022 Hehn					
Chg. No.	715301					
Rev.	0					

DE: X	EN: X	ES:	IT:	PR:	FR:	RO: X
new	zS CN / zS RO; no technical change, no new first sample required					
old						
Field	B/5					
Date/Name	16.09.2022 Hehn					
Chg. No.	715301					
Rev.	0					

DE: X	EN: X	ES:	IT:	PR:	FR:	RO: X
new	zS CN / zS RO; no technical change, no new first sample required					
old						
Field	B/5					
Date/Name	16.09.2022 Hehn					
Chg. No.	715301					
Rev.	0					

DE: X	EN: X	ES:	IT:	PR:	FR:	RO: X
new	zS CN / zS RO; no technical change, no new first sample required					
old						
Field	B/5					
Date/Name	16.09.2022 Hehn					
Chg. No.	715301					
Rev.	0					

DE: X	EN: X	ES:	IT:	PR:	FR:	RO: X
new	zS CN / zS RO; no technical change, no new first sample required					
old						
Field	B/5					
Date/Name	16.09.2022 Hehn					
Chg. No.	715301					
Rev.	0					

DE: X	EN: X	ES:	IT:	PR:	FR:	RO: X
new	zS CN / zS RO; no technical change, no new first sample required					
old						
Field	B/5					
Date/Name	16.09.2022 Hehn					
Chg. No.	715301					
Rev.	0					

DE: X	EN: X	ES:	IT:	PR:	FR:	RO: X
new	zS CN / zS RO; no technical change, no new first sample required					
old						
Field	B/5					
Date/Name	16.09.2022 Hehn					
Chg. No.	715301					
Rev.	0					

DE: X	EN: X	ES:	IT:	PR:	FR:	RO: X
new	zS CN / zS RO; no technical change, no new first sample required					
old						
Field	B/5					
Date/Name	16.09.2022 Hehn					
Chg. No.	715301					
Rev.	0					