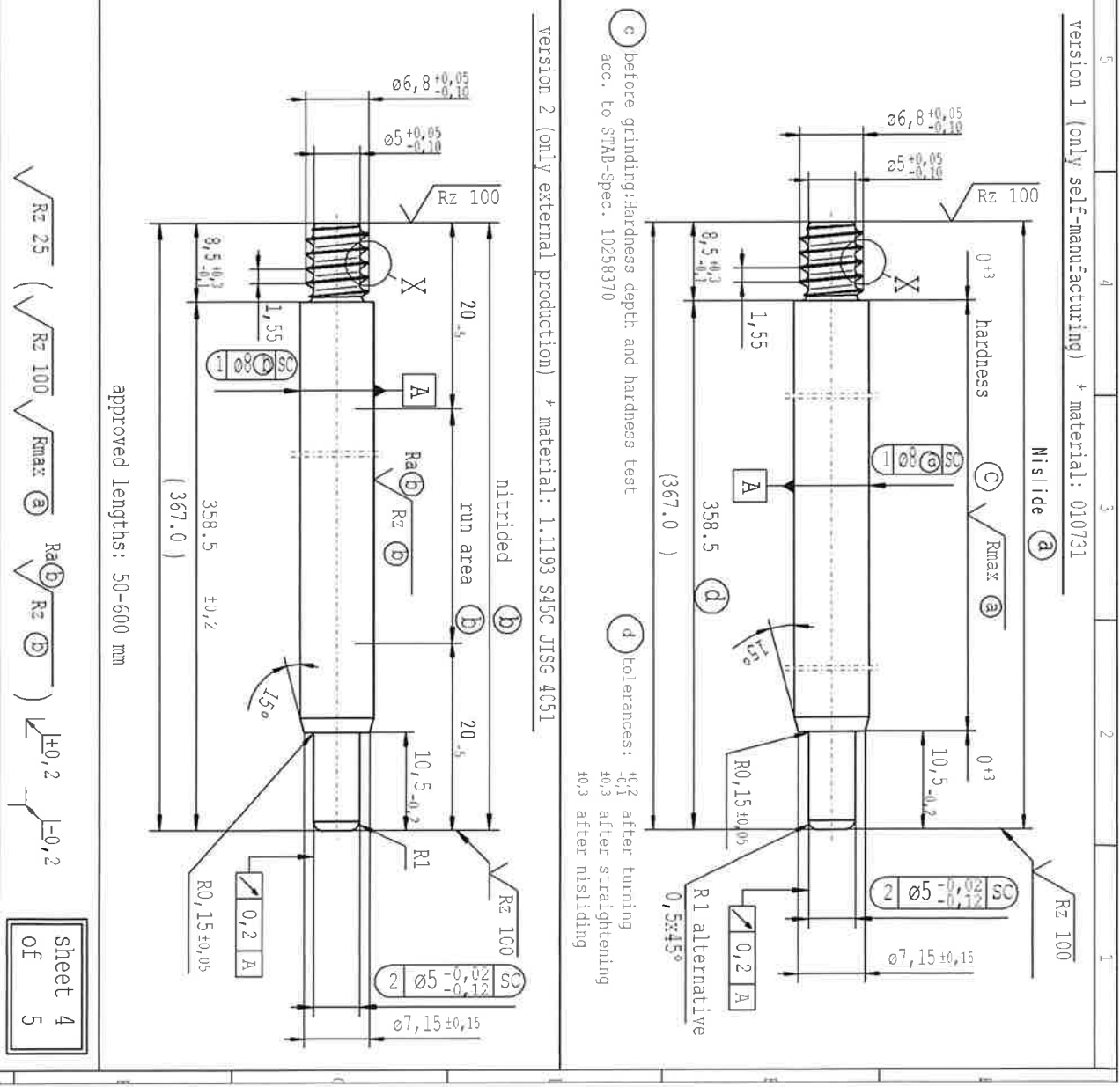
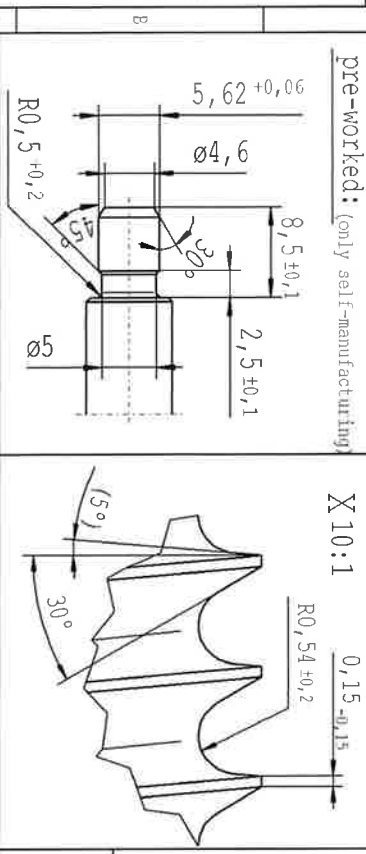


supp No.	material no.	A	F
87	211547	315.0	306.5
88	211786	261.0	252.5
89	212025	111.0	102.5
90	212503	186.0	177.5
91	212742	102.0	93.5
94	213459	98.0	89.5
96	213937	127.0	118.5
97	214176	367.0	358.5
98	214415	138.0	129.5
99	214654	159.0	150.5
100	214893	123.0	114.5
101	215132	256.0	247.5
106	216327	237.0	228.5
109	337978	135.0	126.5
110	367136	243.0	234.5
111	155865	234.0	225.5
112	513649	273.0	264.5
113	514127	381.0	372.5
114	790173	324.0	315.5



Material: *
 Environmental protection acc. to STAB-Spec. 10005649
 All dimensions are in mm
 Scale: 2:1
 Drawing by: 10.03.2017 HRE/et
 Checked: 09.01.2024 K.Hinter
 Document No.: 10242718
 Material No.:

DE: X	EN: X	ES:	IT: *	PR:	FR:	RO: X
new 05-018 no technical change, no new first sample required						
old 05-020						
Date/Name: 09.01.2024 Jajlonski						
Dwg. No.: 729458						
Rev.: 6						

RELEASE FOR SUPPLIER
 company: Gasfedern
 Date: 09.01.2024 Pomlin H.
 (date / signature)

STABILUS
 PISTON ROD

Sheet 4 of 5