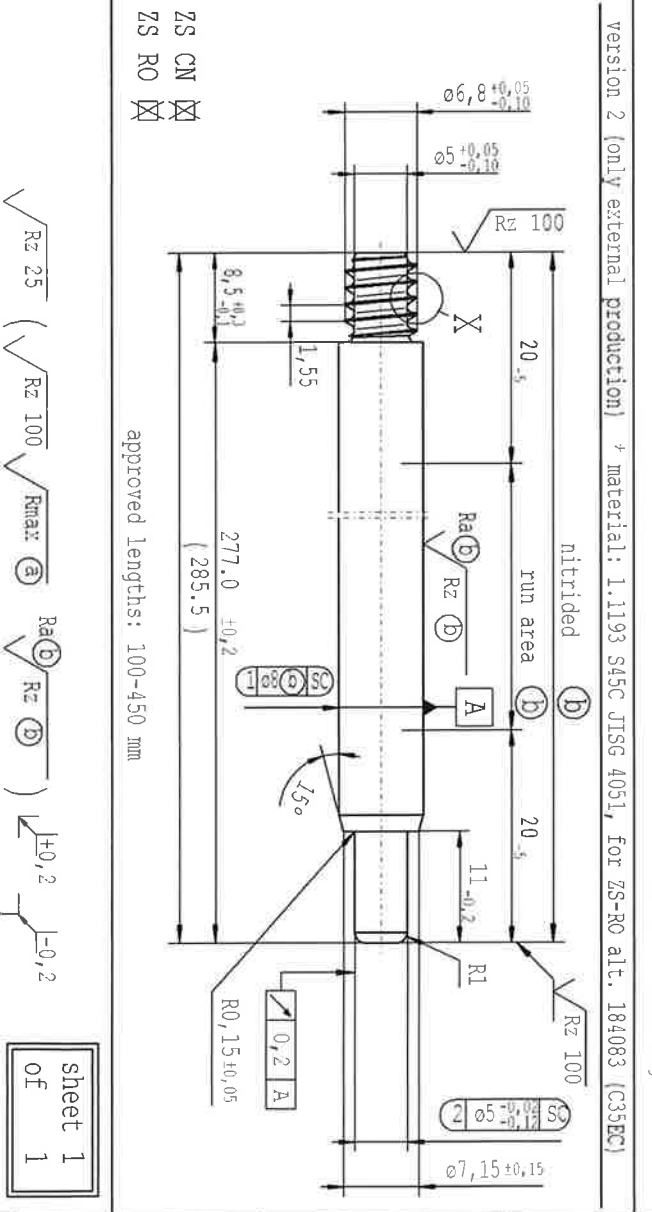
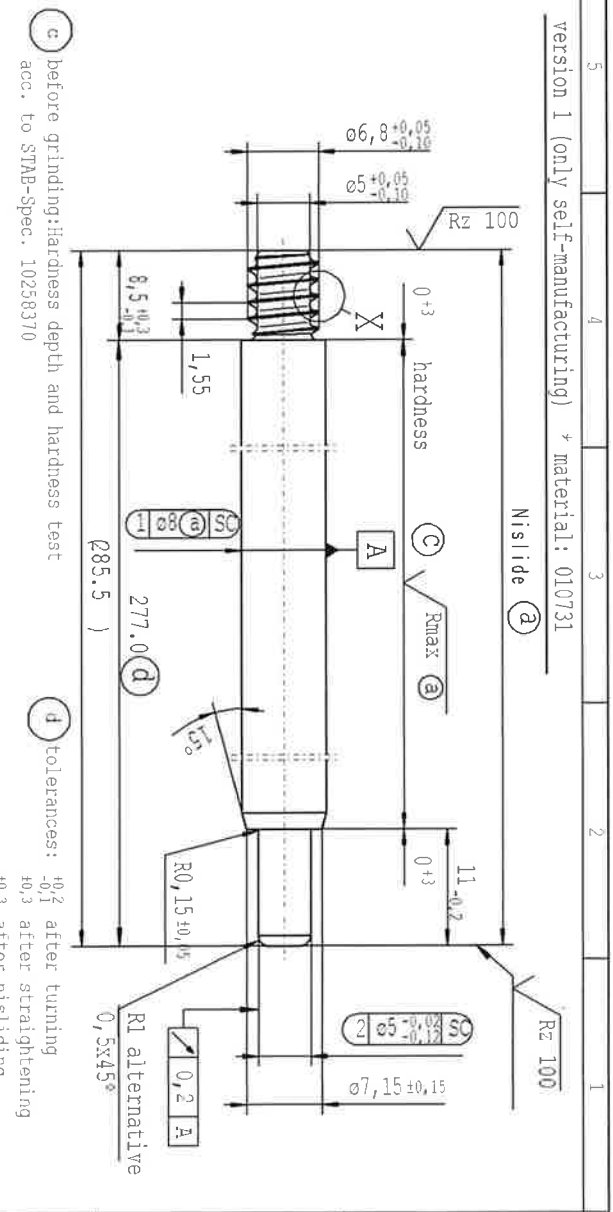
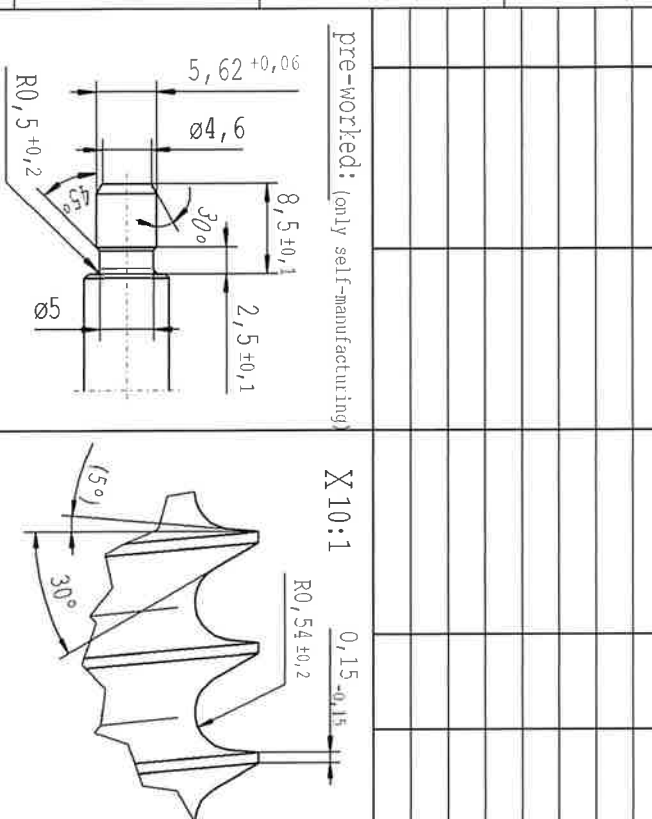


suppl	material no.	A	E
No.	Processing and surface treatment acc. to STAB-Spec. 10006248 Tab. XVI optimized	overall length	length without endfitting stud
1	792303	219.0	210.5
2	792542	222.0	213.5
3	296408	285.5	277.0
4	963221	216.0	207.5
5	139628	100.5	92.0
6	141301	110.5	102.0
7	254109	282.0	273.5
8	312664	153.0	144.5
9	359030	225.0	216.5
10	666145	168.0	159.5
11	856867	204.0	195.5



DE:	EN:	ES:	IT:	PR:	FR:	RO:	X
new	version 2	for ZS-RO alt. 184083 (C35BC) / ZS (CHR0				
old							
Field	D/1-5						
Author	02.08.2023 Jablonski						
Chg. No.	725235						
Rev.	6						

Material:	Material:	Material:
100213229	10213229	10213229
10213229	10213229	10213229
10213229	10213229	10213229