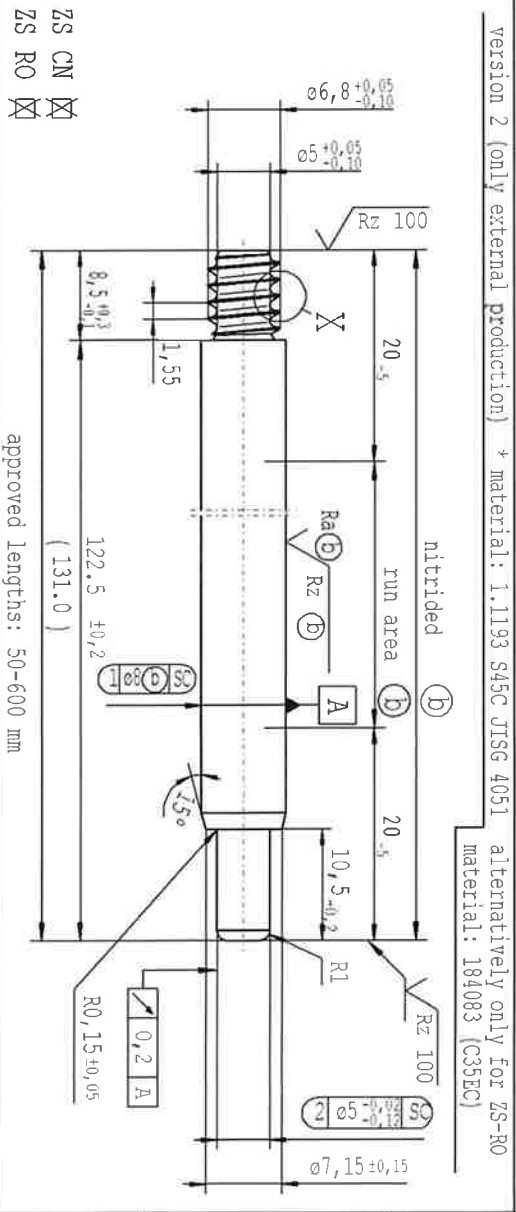
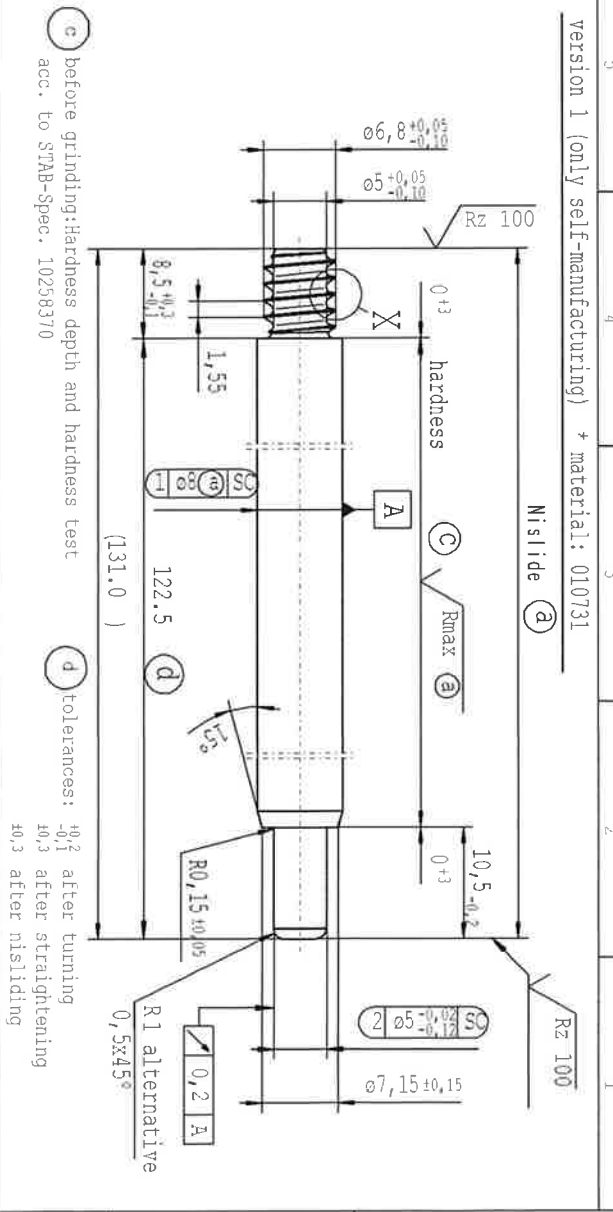
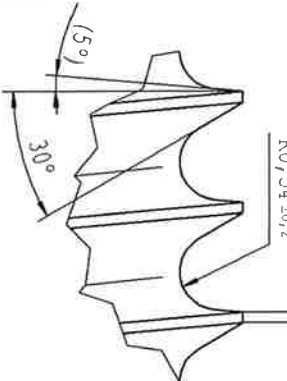
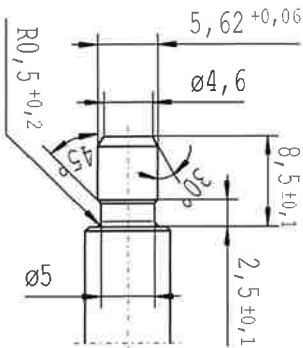


supp	material no.	A	E
No.	processing and surface treatment acc. to STAB-Spec. 10006248 Tab. XVI optimized version 1	10006248 Tab. X version 1	10028999 Tab. I version 2
385	282311	282311	175.0 166.5
386	318878	318878	155.0 146.5
387	322224	322224	245.5 237.0
388	348514	348514	131.0 122.5
389	369307	369307	69.0 60.5
390	369785	369785	185.0 176.5
391	373848	373848	217.0 208.5
392	386515	386515	247.5 239.0
393	386993	386993	287.0 278.5
394	387471	387471	216.5 208.0
395	387949	387949	170.0 161.5
396	405874	405874	207.5 199.0
397	406352	406352	163.0 154.5
398	408264	408264	135.5 127.0
399	415912	415912	205.0 196.5
400	417346	417346	206.0 197.5
401	531349	531349	261.5 253.0
402	550708	550708	188.0 179.5
403	575564	575564	179.0 170.5



version 1 (only self-manufacturing) \* material: 010731  
 Ni slide (a)  
 before grinding: hardness depth and hardness test  
 acc. to STAB-Spec. 10258370  
 tolerances: +0,2 after turning, -0,1 after straightening, +0,3 after nisliding  
 version 2 (only external production) \* material: 1.1193 S45C JISG 4051  
 alternatively only for ZS-RO material: 184083 (C35Ec)

DE: X	EN: X	ES: X	IT: X	PR: X	FR: X	RO: X
new version 2... alternatively only for ZS-RO material: 184083 (C35Ec)						
old version 1... alternatively only for ZS-RO material: 184083 (C35Ec)						
Field	D/1-5					
Date/Name	26.07.2022 Hejn					
Eng. No.	713498					
Rev.	22					
AllIG COI-standards acc. to STAB-Spec. 10027892						
Material: *						
Surface Finish: DIN EN ISO 1302						
Replacers:						
Edge tolerances acc. to DIN ISO 13715						
Environmental protection acc. to STAB-Spec. 10005649						
All dimensions are in mm						
Scale: 2:1						
Marking of special characteristics according to STAB-Spec. 10270992						
Dimensions without tolerances						
Checked: 29.01.2024 Klinkner						
Date: 05.12.2017						
Name: Hejn						
Document No.: 10151065						
Material No.:						

Sheet 19 of 21