

The print-out is not subject to the modification service.

Intended for internal and supplier use

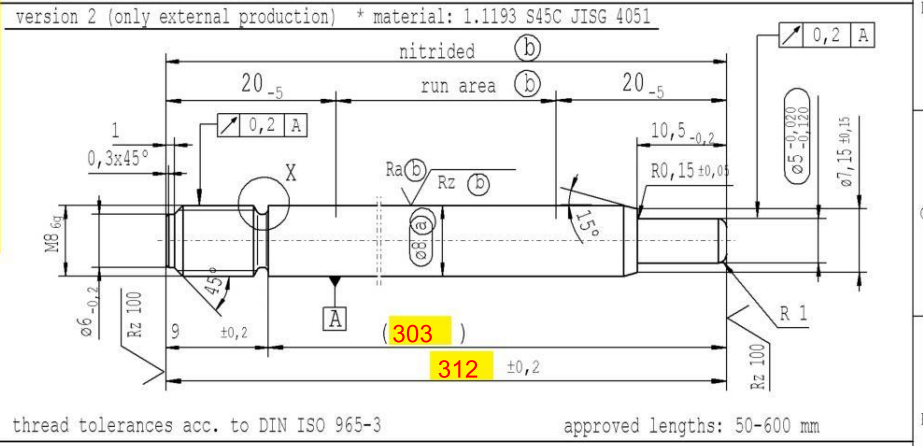
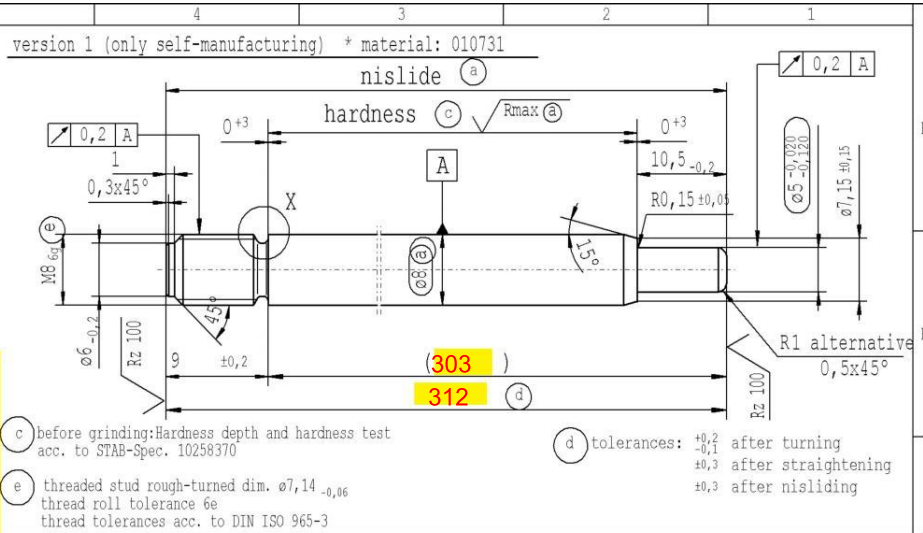
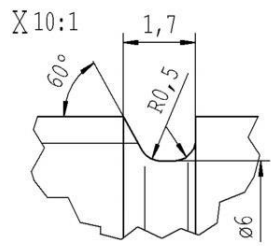
EN

Ident. Doc. : 630576

Metalldatum: 28/07/2021 - 7144

supp No.	material no.			A overall length	B thread length	E length without end-fitting stud
	processing and surface treatment acc. to STAB-Spec. 10006248 Tab. IV version 1	10006248 Tab. X version 1	10028959 Tab. I version 2			
21	255054	255054	255054	303.0	9	294.0
22	183594	183594	183594	237.0	10	227.0
23	235457	235457	235457	234.0	9	225.0
24	436695	436695	436695	234.0	10	224.0
25	977076	977076	977076	294.0	9	285.0
26	899641	899641	899641	339.0	9	330.0

53	203446	203446	312	9	303
----	--------	--------	-----	---	-----



$\sqrt{Rz 25}$ ($\sqrt{Rz 100}$ $\sqrt{R_{max}(a)}$ $Ra(b)$ $Rz(b)$) $\pm 0,2$ $\pm 0,2$

sheet 2 of 2

AIAG CQI-standards acc. to STAB-Spec. 10027692				Environmental protection acc. to STAB-Spec. 10005649			
DE: X	EN: X	ES:	IT:	PR:	FR:	RO: X	CAD created document handwritten changes not permitted
new	approved lengths: 90-600 mm	acc. STAB-Spec. 10258370		new format Internal/Supplier			Material: *
old	approved lengths: 90-400 mm	RHT 0,4 ... 0,7 mm		Supplier drawing separately			All dimensions are in mm
Field	D/4-5	B 4-5					Scale: (Original DIN A3) 2:1
Date/Name	24.11.2015 Hein	15.05.2019 Donat		14.07.2020 Höfer			Marking of special characteristics according to STAB-Spec. 10270932
Chg. No.	630576	678703		690131			Dimensions without tolerances DIN ISO 2768-mK
Rev.	6	6		7			We reserve all rights to this document, to any patents or patent registrations related hereto, and to the duplication, retransmission by third parties and misc. use. Any use of this document is not permitted without the written consent of STABILUS.
				STABILUS		PISTON ROD	
						Document No.: 10152007	
						Material No.:	